

The contractor is responsible to ensure that no products are to be utilised that do not comply with relevant British and/or European Standards and/or Codes of Practice, CDM Regulations, Construction regulations, or which are known or suspected at the time of product selection and/or construction to be deleterious to health and safety or to the durability of the work or not in accordance with good building practices.

The contractor is responsible for checking dimensions, tolerances, levels and references. This drawing is to be read in conjunction with all relevant consultants or specialists drawings. Any discrepancy to be notified to Baily Garner LLP and rectified before proceeding with the works on site or shop drawings.

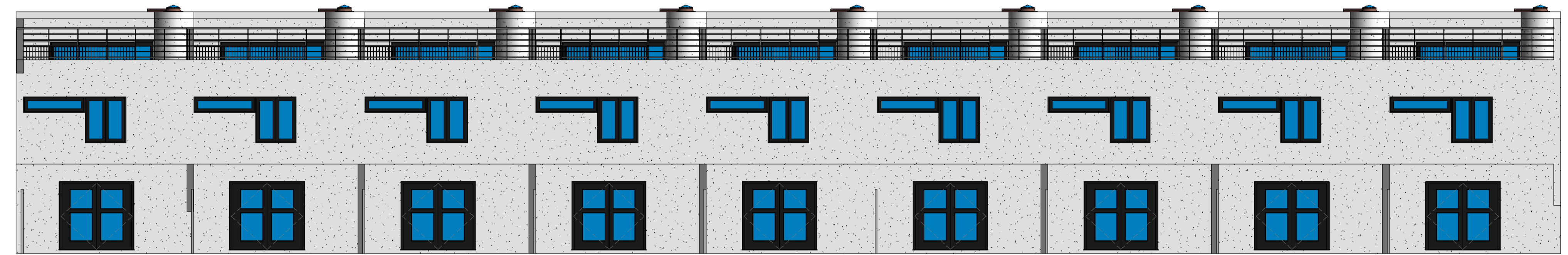
Where an item is covered by drawings to different scales, the larger scale drawing is to be worked to. Do not scale drawings. Figured dimensions to be worked to in all cases.

This drawing and the copyrights and patents therein are the property of Baily Garner LLP and may not be used or reproduced without consent or attribution.

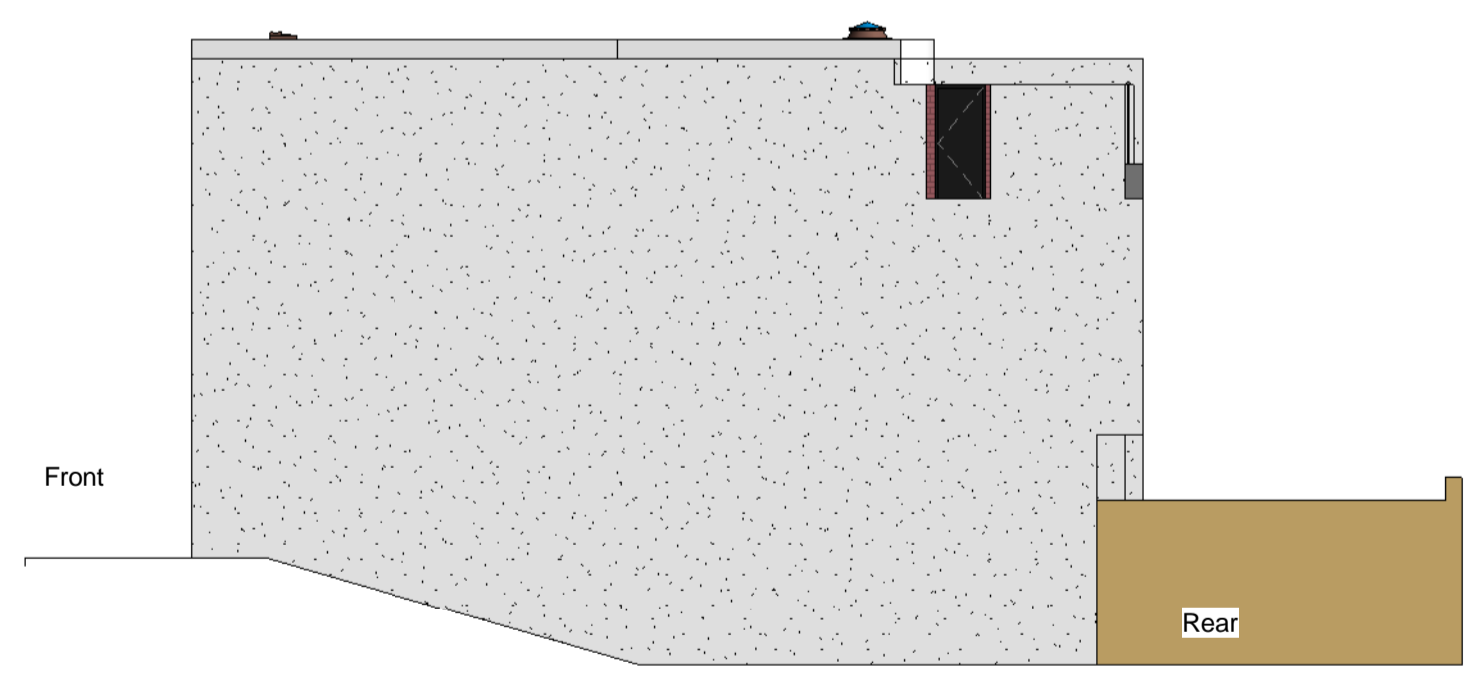
A1



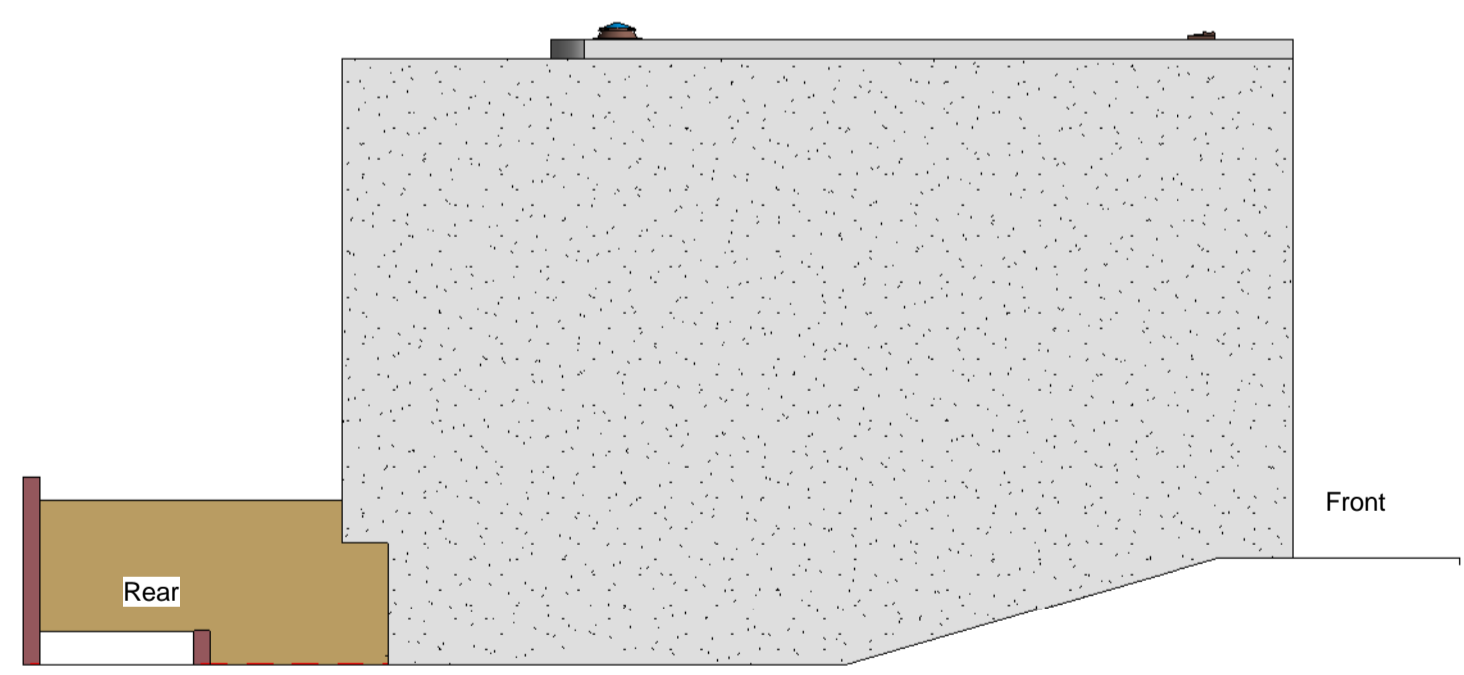
1 Front Elevation
1 : 100



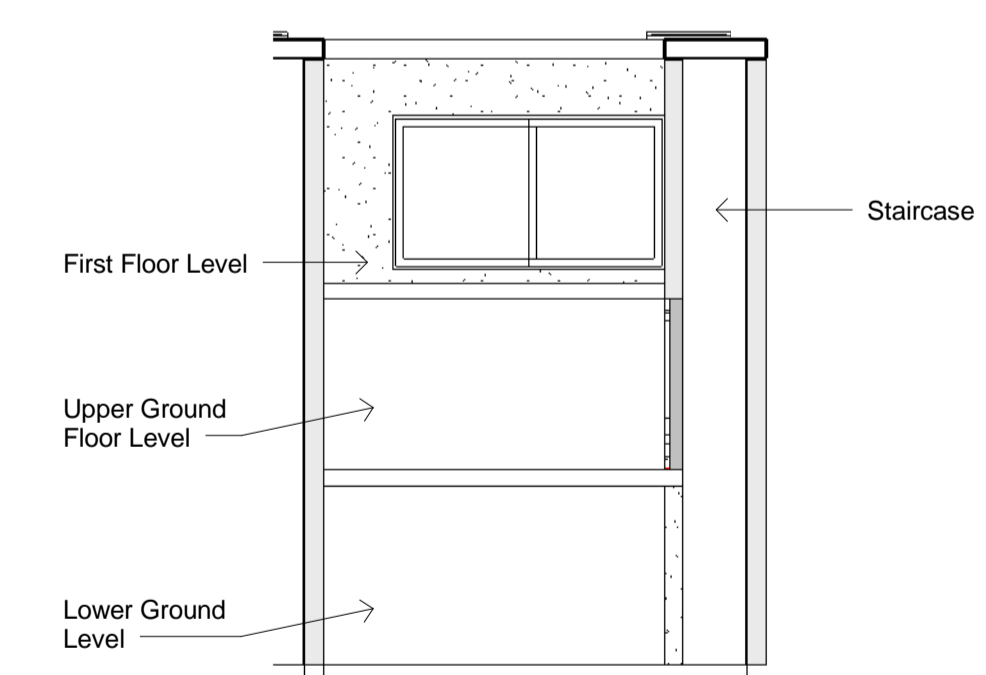
2 Rear Elevation
1 : 100



3 East Elevation
1 : 100



4 West Elevation
1 : 100



5 First Floor Rear Elevation
1 : 100

CLIENT Keepmoat-Apollo Property Services Conquest House Church Street Essex EN9 1DX	PROJECT Lambie St Externals TITLE Existing Elevations PURPOSE OF ISSUE PLANNING	DATE 14/03/2024
		DRAWING NO PL02
SCALE 1 : 100	D YW	C SS
JOB NO 27241	DRAWING NO PL02	REVISION A

