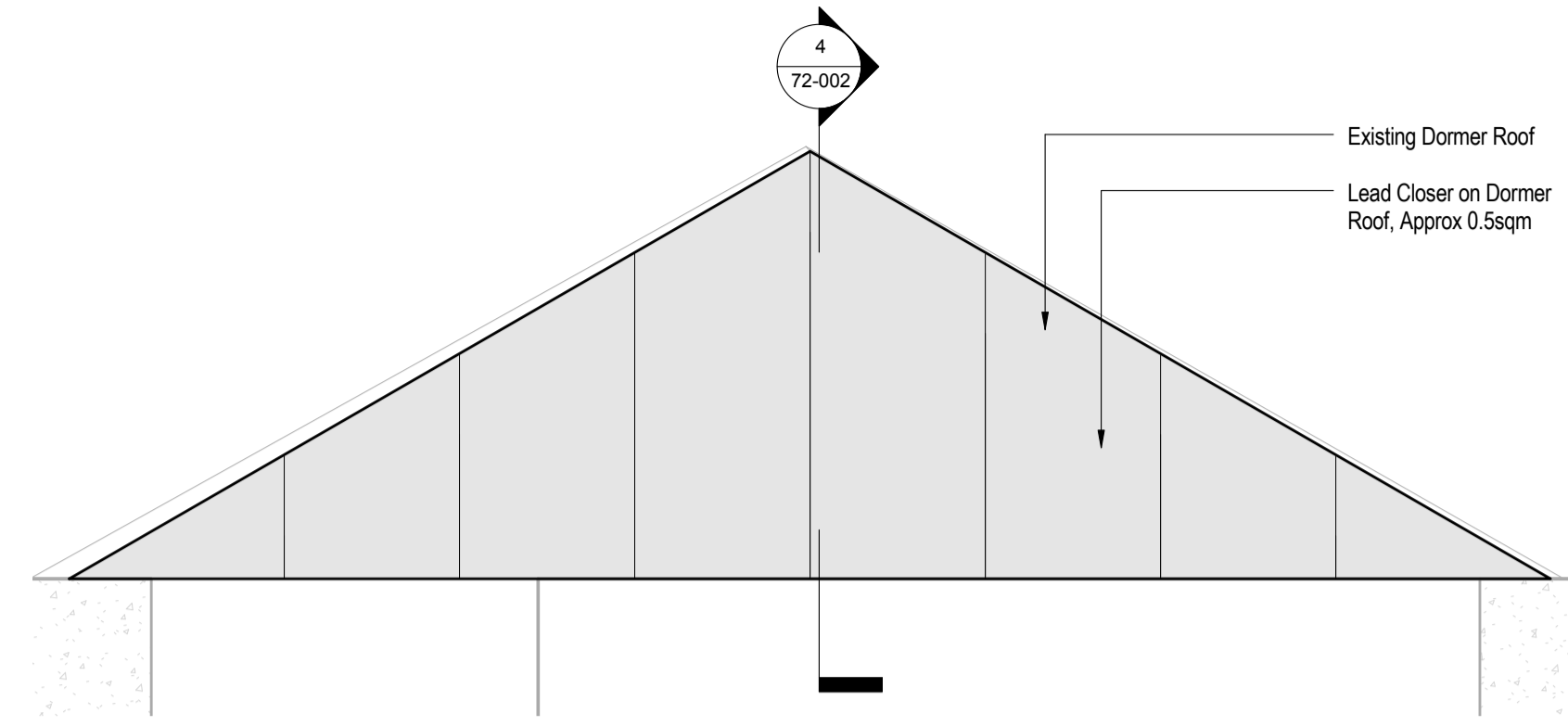
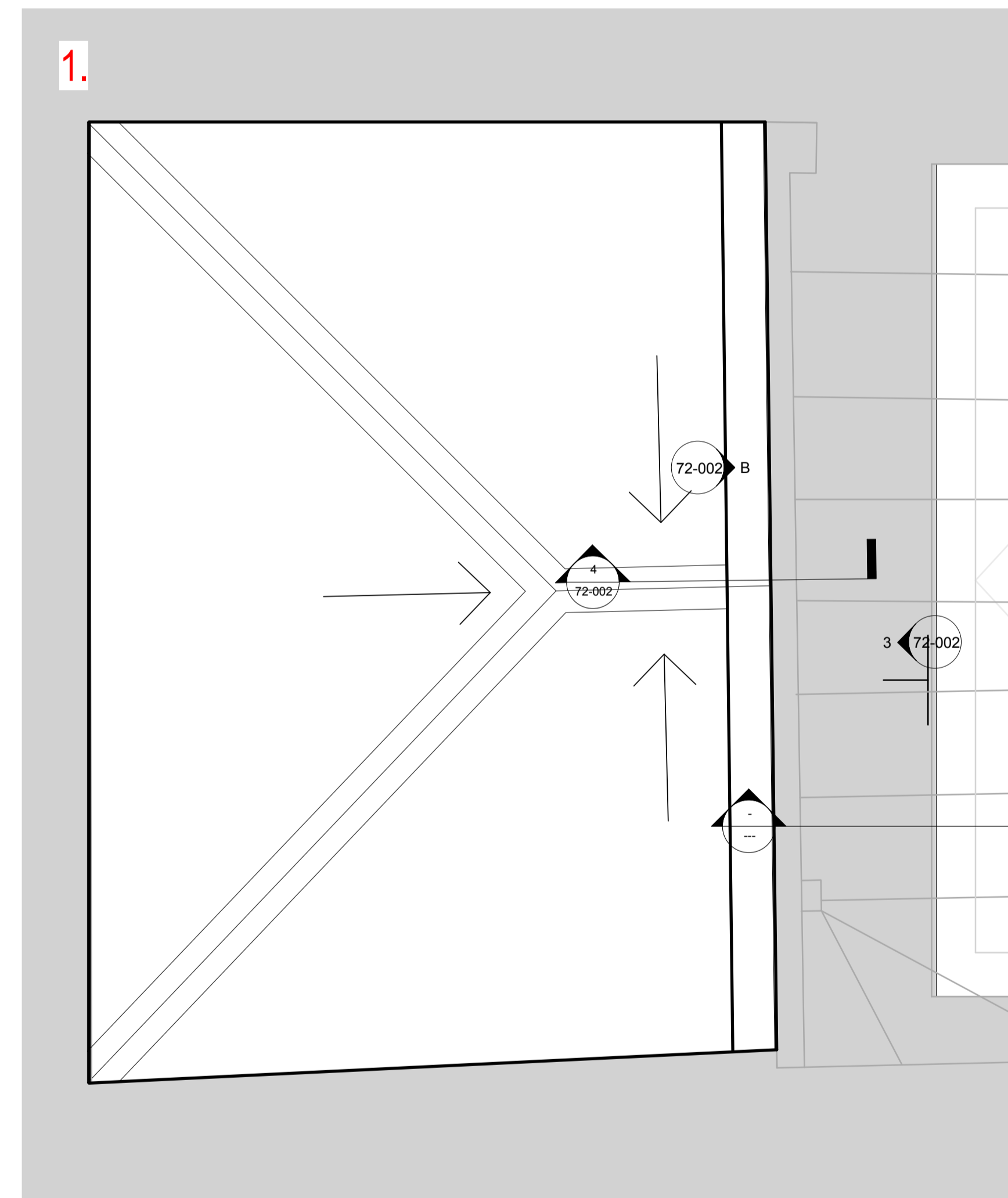


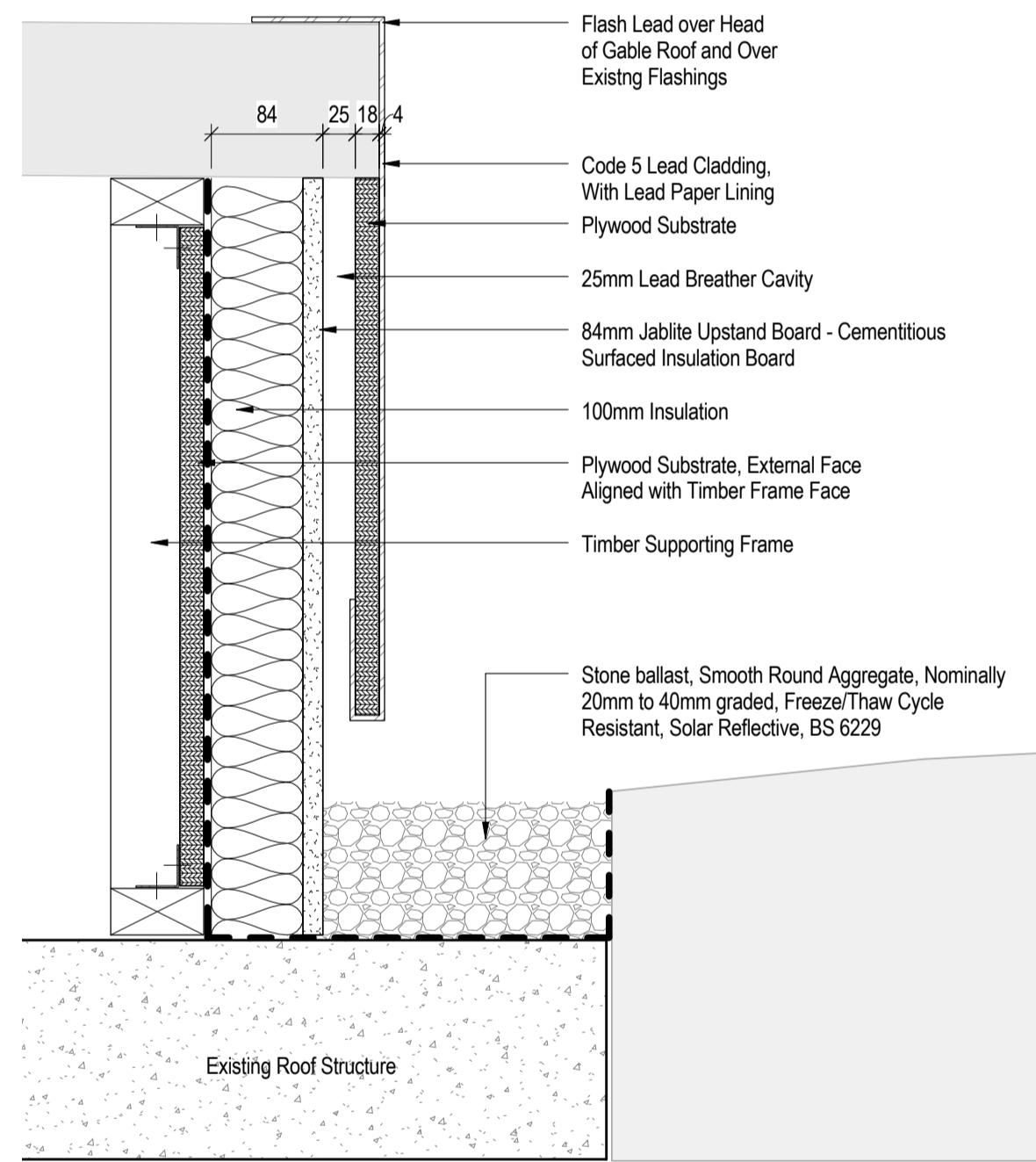
1 | Roof - Key Plan
1:100



3 | Roof Gable End
1:10

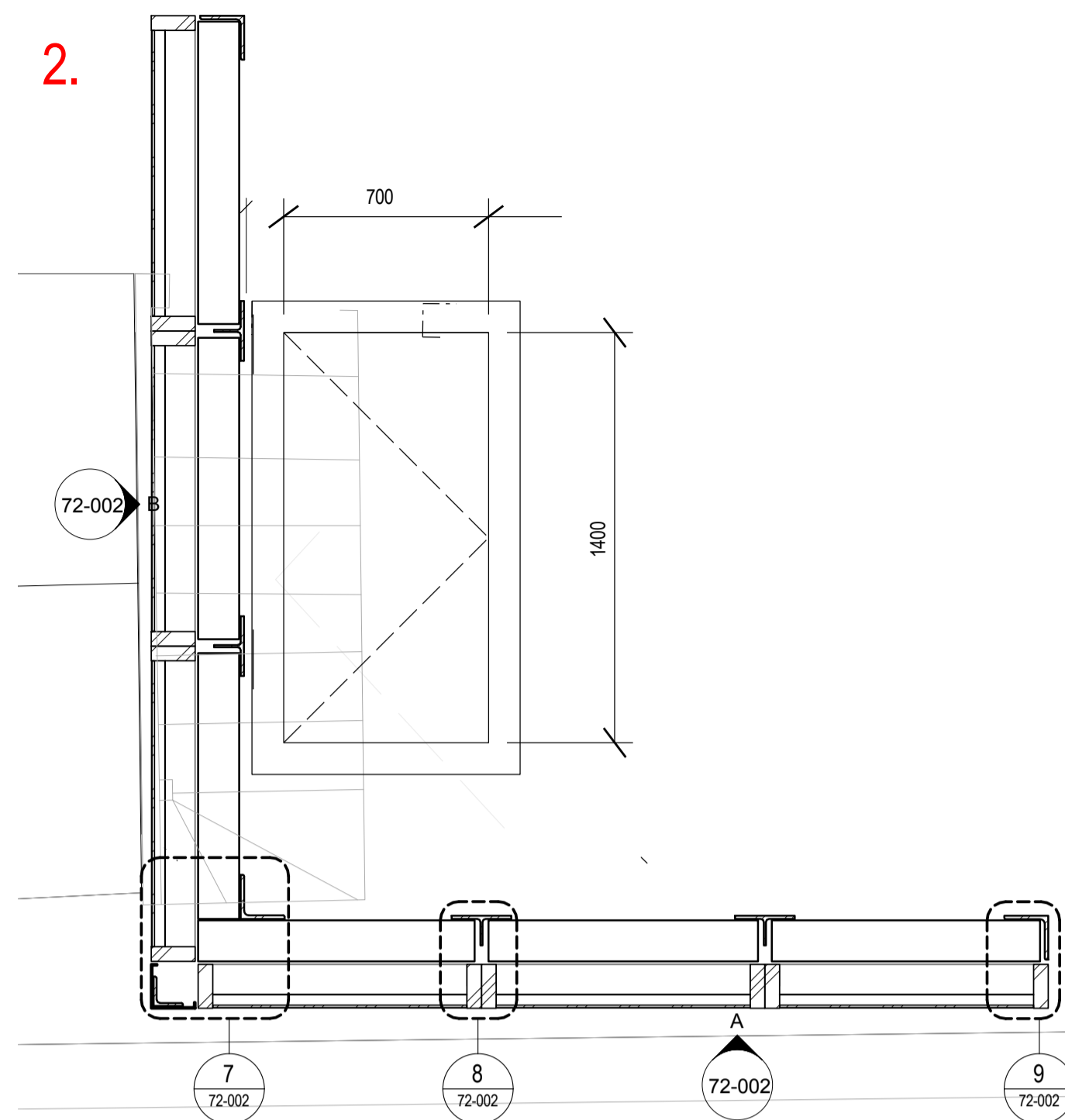


2 | Roof Plan
1:10

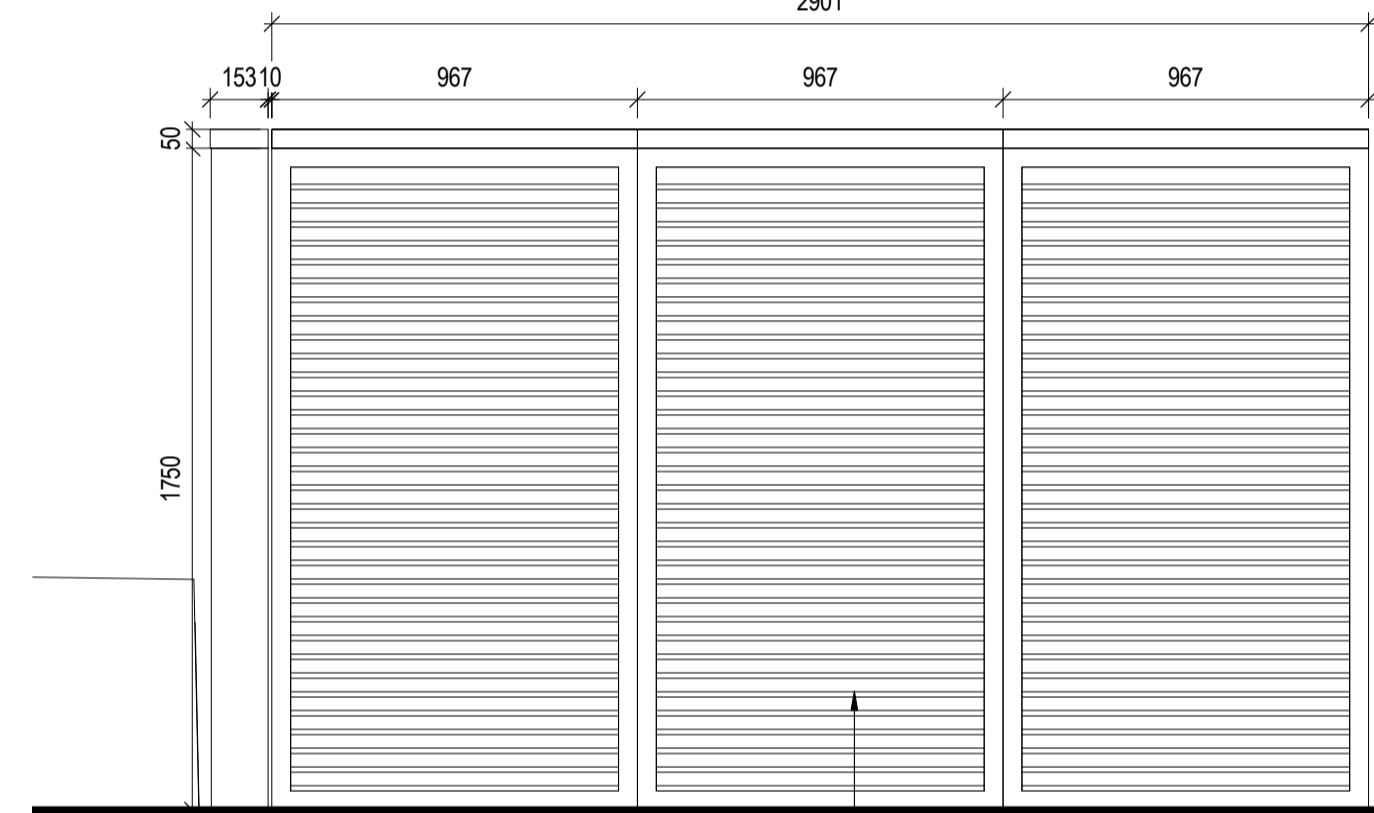


4 | Roof Gable Section Detail
1:5

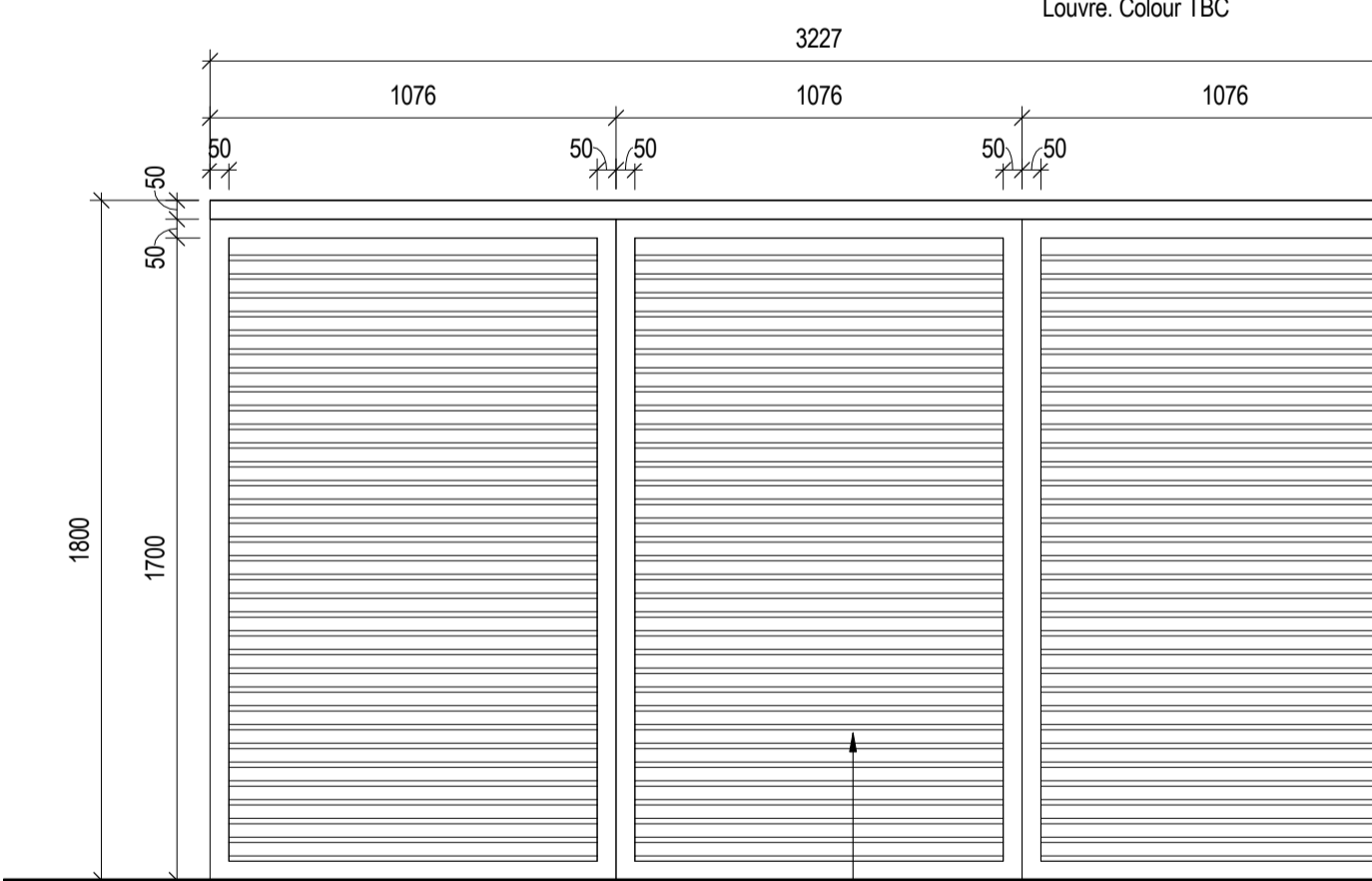
Note:
Construct Lead Dormer Closer First,
Prior to Plant Screen Construction



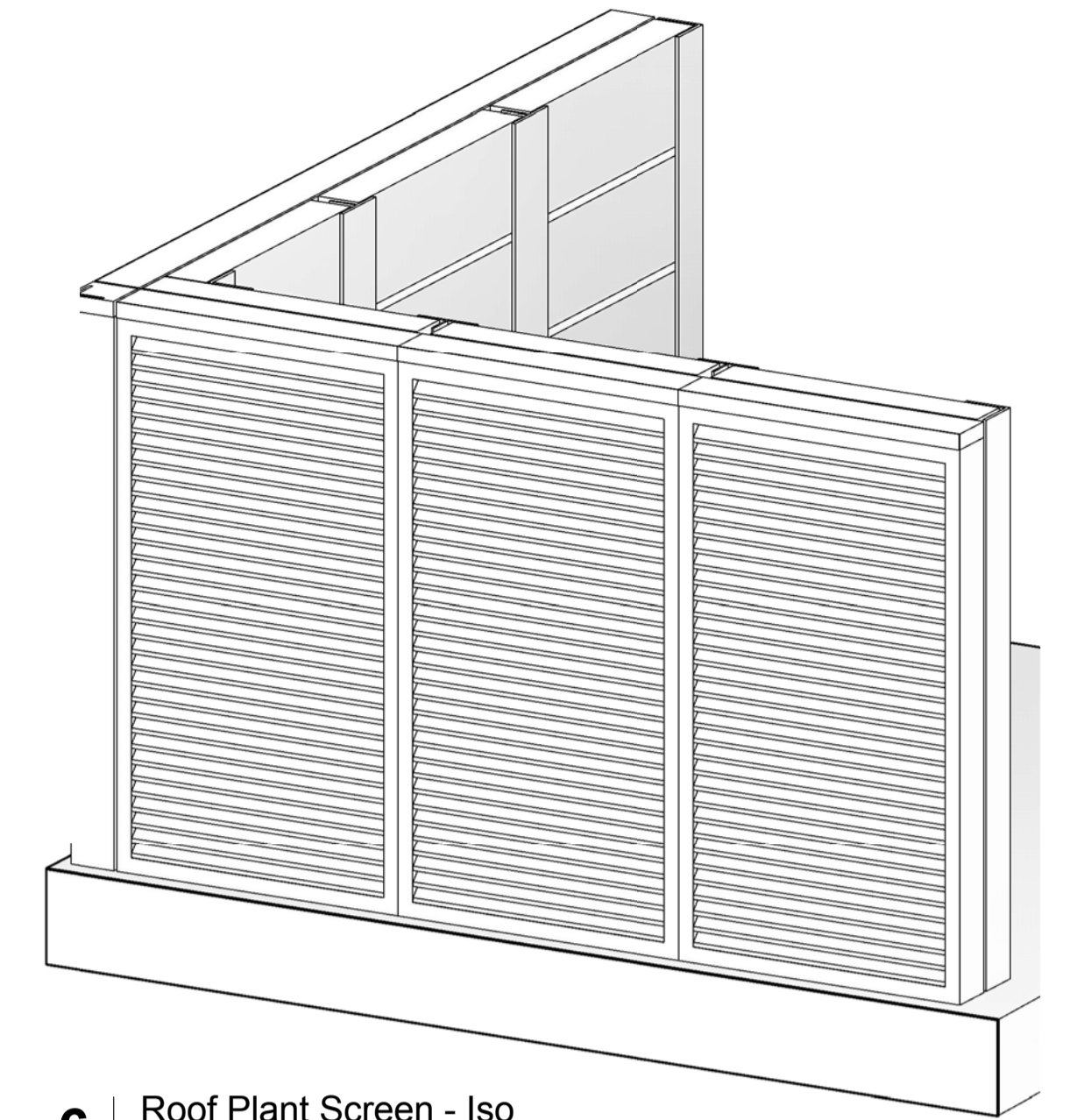
5 | Roof Plant Screen - Plan
1:20



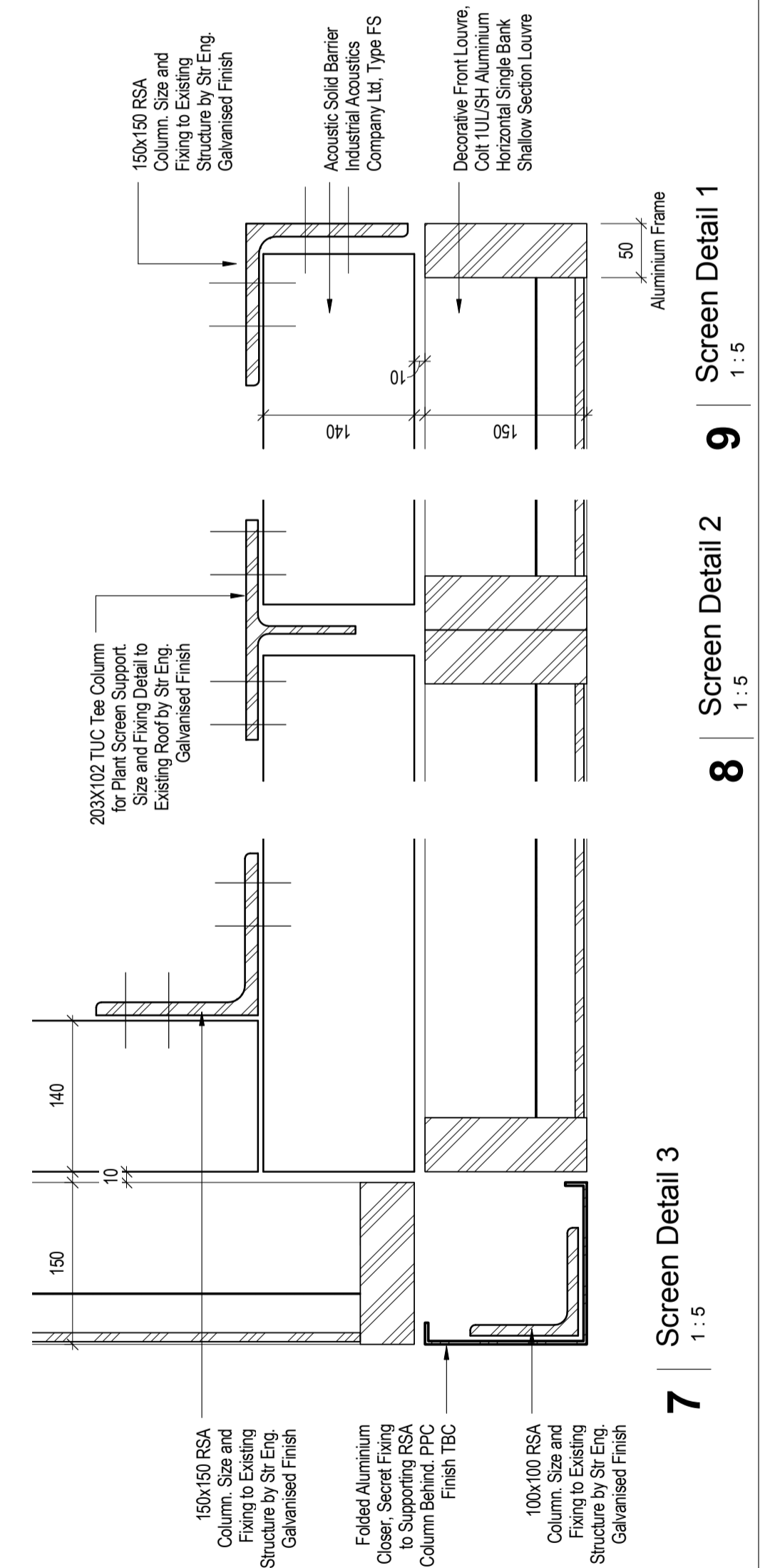
A | Plant Screen - Elevation A
1:20



B | Plant Screen - Elevation B
1:20



6 | Roof Plant Screen - Iso



9 | Screen Detail 1
1:5

8 | Screen Detail 2
1:5

7 | Screen Detail 3
1:5

Disclaimer:
Do not scale from this drawing.
Check all dimensions on site before fabrication or setting out. This document is copyright and may not be reproduced without permission of the owner.
Ordinance Survey data contained herein is for use on this project only. Third parties involved in this project wishing to reproduce this data for the purposes of said project, may do so on display of the following:
© Crown Copyright All rights reserved 2010 License No 0100031673

Notes:

Rev:	Notes:	Date:	Dwn:	Iss:
00	TENDER	20.04.15	TT	RBM
A	CONTRACT	08.07.15	TT	RBM
B	CONSTRUCTION	XX.07.15	TT	RBM

Consultants:

Key / Location:

Project:

6 Bloomsbury Square

Drawing Title:
**External Details
Roof Gable End Closer
Roof Plant Screen & Door**

Flanagan Lawrence

66 Porchester Road, London, W2 6ET
T +44 (0) 20 7706 6166 F +44 (0) 20 7707 6266
www.flanaganelawrence.com
E info@flanaganelawrence.com

Client:
SOUTH BLOOM LTD

Drawn By: **TT** Issued By: **RBM** Date of First Issue: **20.04.2015**

Project No: **14-025** Scale @ A1: **As indicated**

Drawing No: **A-72-002** Revision: **B**

Information Exchange 1:	Information Exchange 2:
Information Exchange 3:	Information Exchange 4: