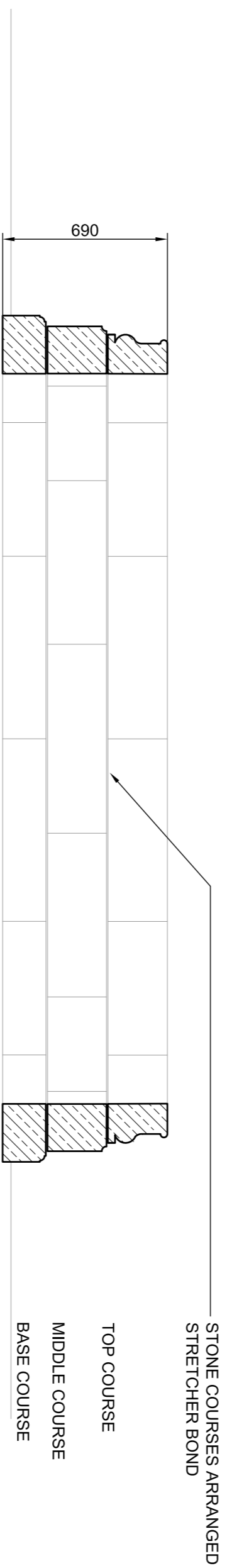
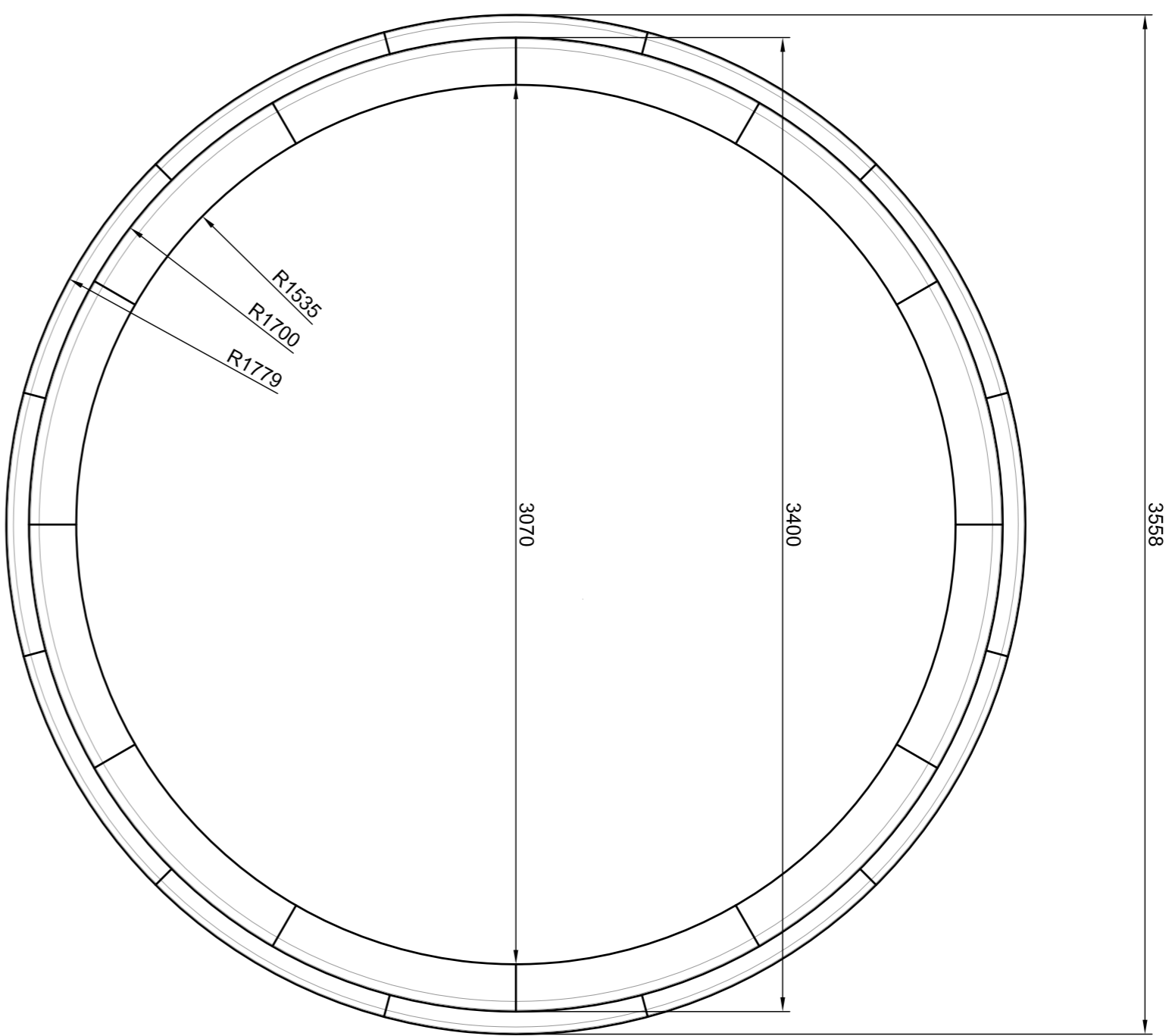
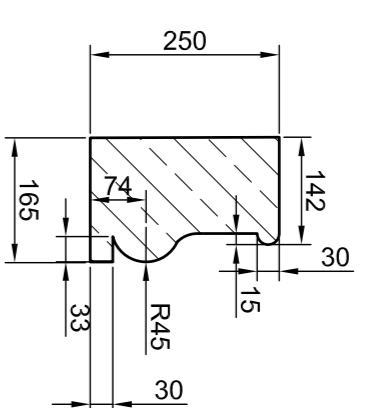


PLANTER IN PORTLAND STONE  
TO MATCH HOUSE FACADE AND  
COLUMNS

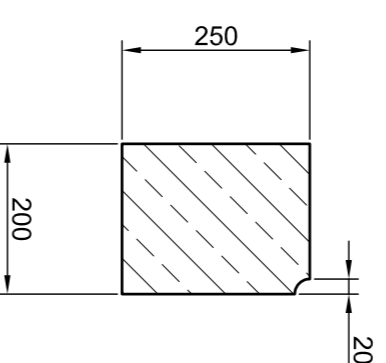
PLAN  
SCALE 1:20 @ A1



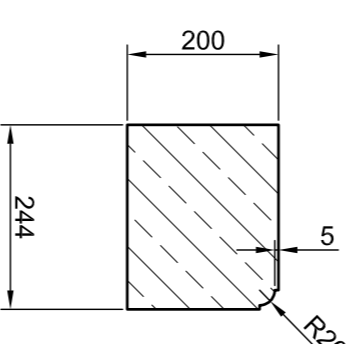
PORTLAND STONE PLANTER SECTION  
SCALE 1:20 @A1



TOP COURSE SECTION AND PLAN  
12 SECTIONS FORM CIRCLE

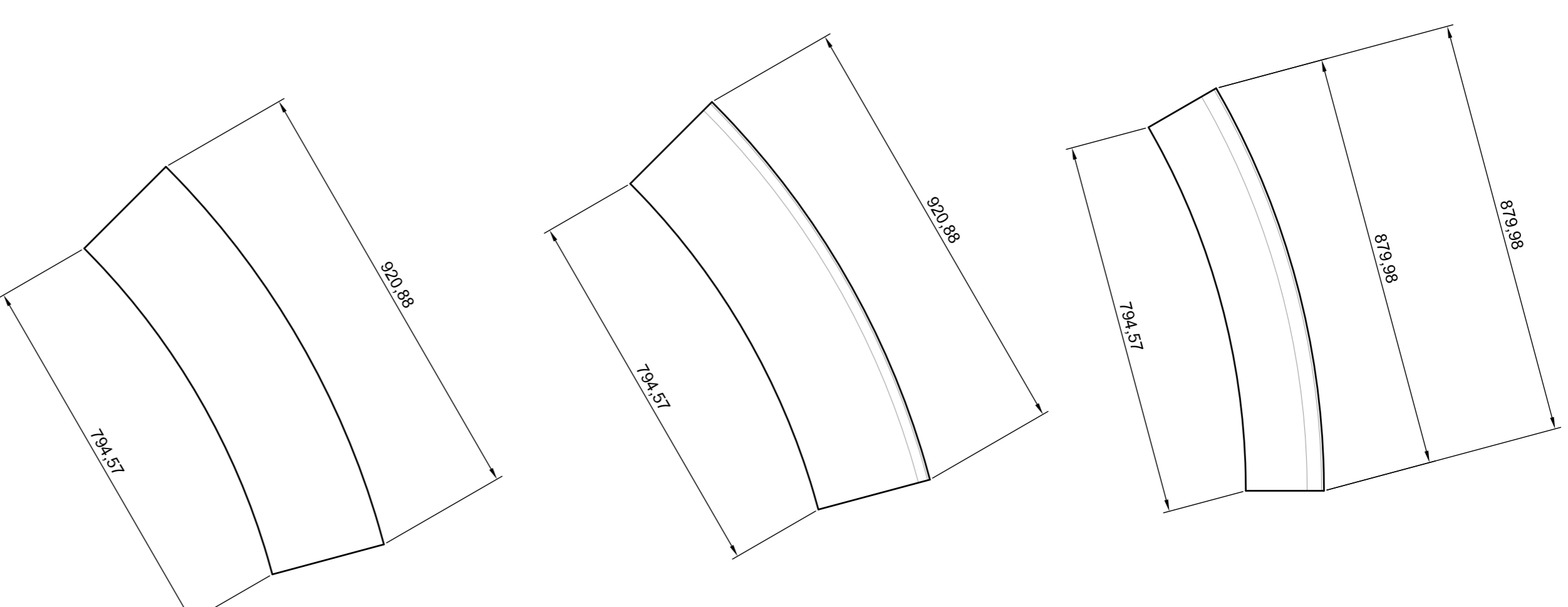


MIDDLE COURSE SECTION AND PLAN  
12 SECTIONS FORM CIRCLE



BASE COURSE SECTION AND PLAN  
12 SECTIONS FORM CIRCLE

PORTLAND STONE PLANTER COURSES  
SCALE 1:10 @A1

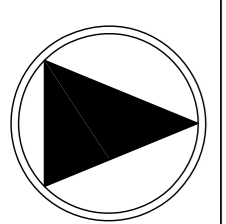


REV/B Change of material 13.7.15  
REV/A Change of status 2.6.15

NOTE: 1 This drawing to be read in conjunction with all relevant architects and engineers drawings and the specification.  
2 Any discrepancies or details on or between these drawings must be drawn to the attention of the landscape architect (and to the architect or engineer as appropriate) in writing for clarification.

3 All dimensions are in millimetres unless otherwise noted.  
4 This drawing is the copyright of Bowles & Weyer (and other consultants where parts of their drawings have been incorporated) and cannot be reproduced or used without their written permission.

STATUS:  
**Approval of Details**



**BOWLES & WYER**  
5 Williams Court, Tunnel Way, Pistone, Nr. Leighton Buzzard, LU7 9GJ  
Tel: 01296 662439 Fax: 01296 663959 Email: admin@bowleswyer.co.uk

Description STONE WORK FOR DRIVEWAY PLANTER	Drawing Name HEATH PARK DRIVEWAY PLANTER
Drawn PS	Dwg number 16899-13-1
Checked	Rev B
	Scale AS SHOWN
	Date 14.12.14