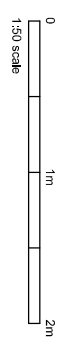
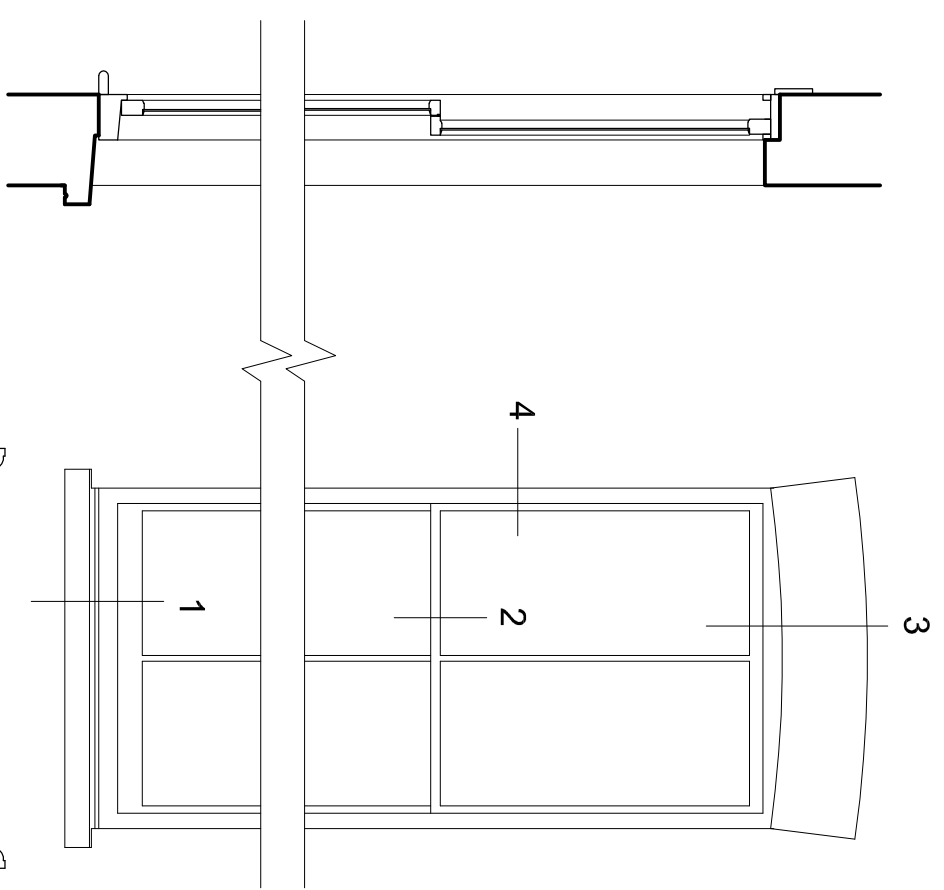
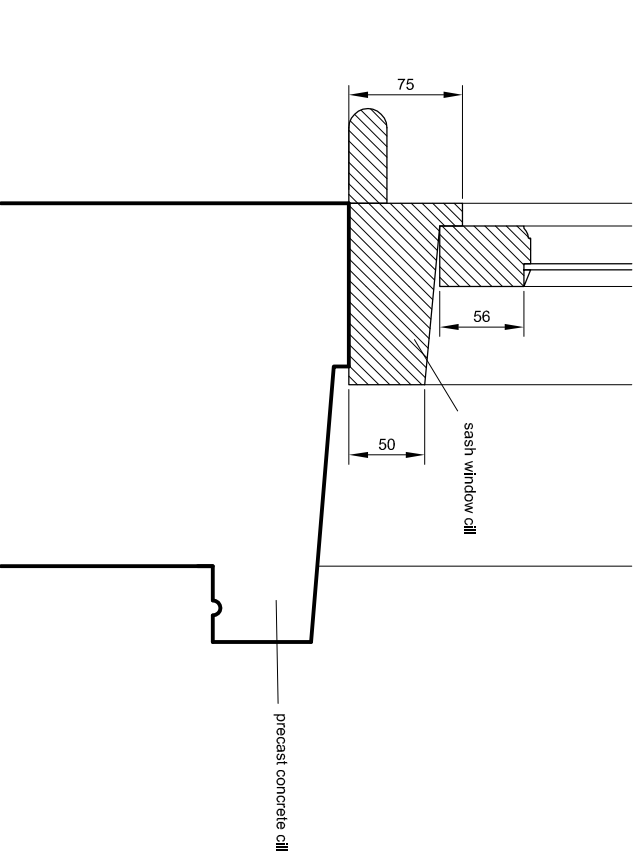
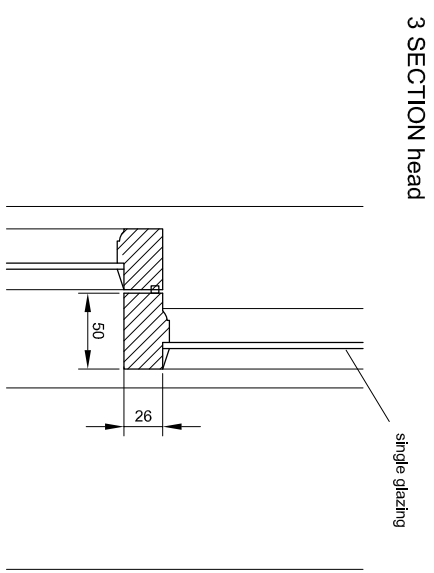
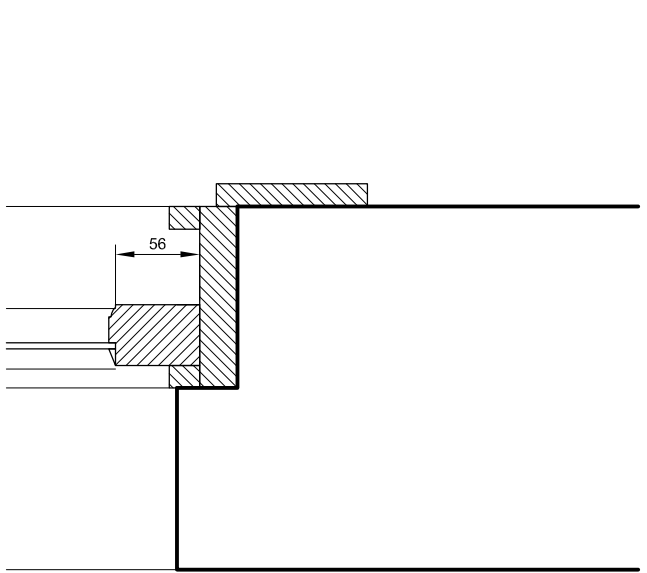
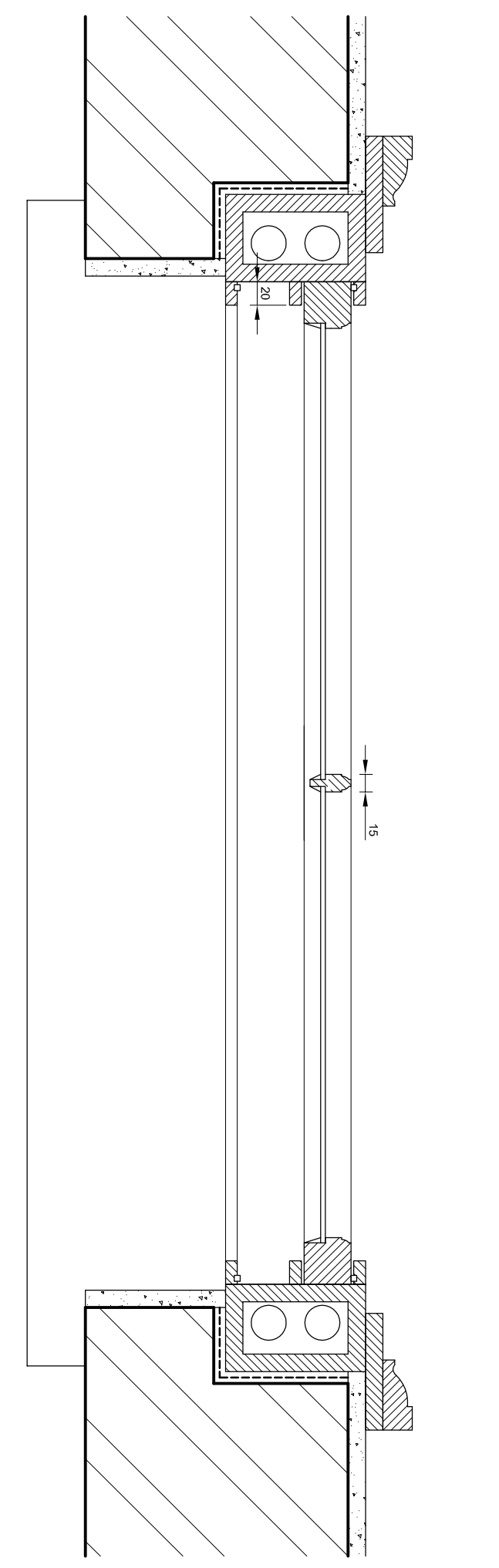


NOTES
DIMENSIONS TO BE CONFIRMED
ON SITE



DAVIES ARCHITECTURE ©	
28 ELLIOTT SQ LONDON NW3 3SU TEL 020 7483 0669	
JOB	TYPICAL DETAILS
TITLE	PROPOSED DETAILS SASH WINDOW
DATE	29.7.15
SCALE	1:5 @A3
DRAWING NO	TYP-PL-10-01