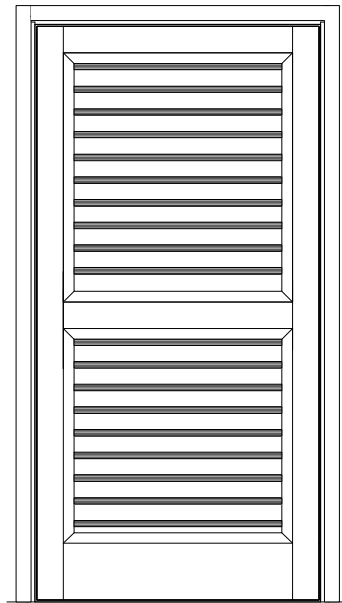
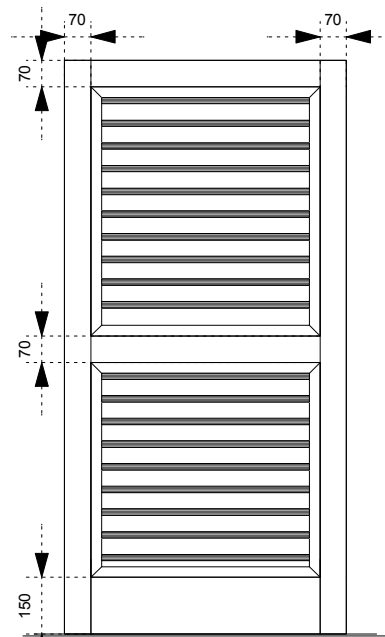


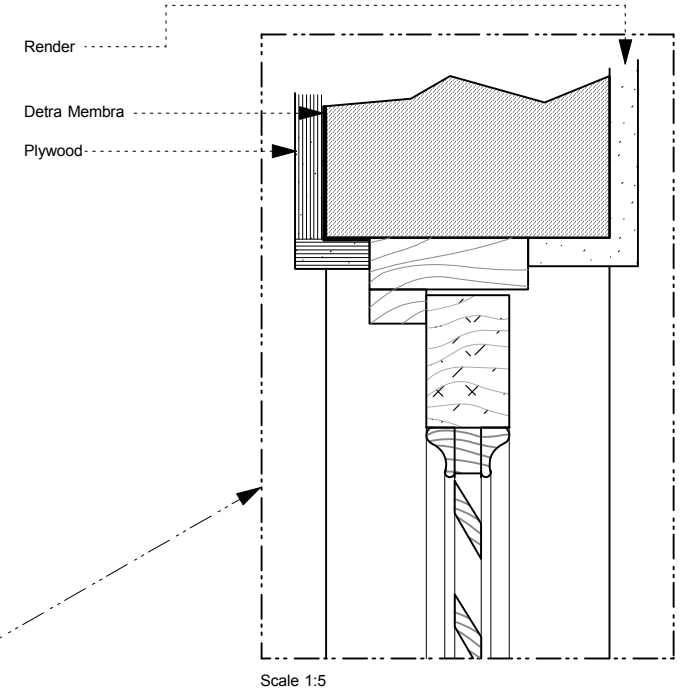
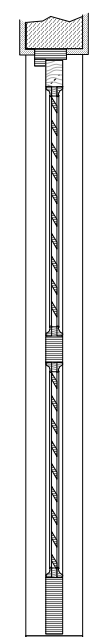
Opening



Fitted Door



Louvre Door



Scale 1:5

Combined Panels Area
 $(0.549 \times 0.603) + (0.549 \times 0.512) = 0.61214$
 $0.61214 - [(0.549 \times 0.01 \text{m}) \times 19] = 0.50783$
combined open vent area.

Plant Room Louvre Door

8 Warwick Court

Scale 1:20 @ A4
 Revision 4

Drawn By:

Mr Mentor Idrizi

Cape Construction Ltd
 079 4417 4417
 020 8450 5703

Date: 22/05/2015