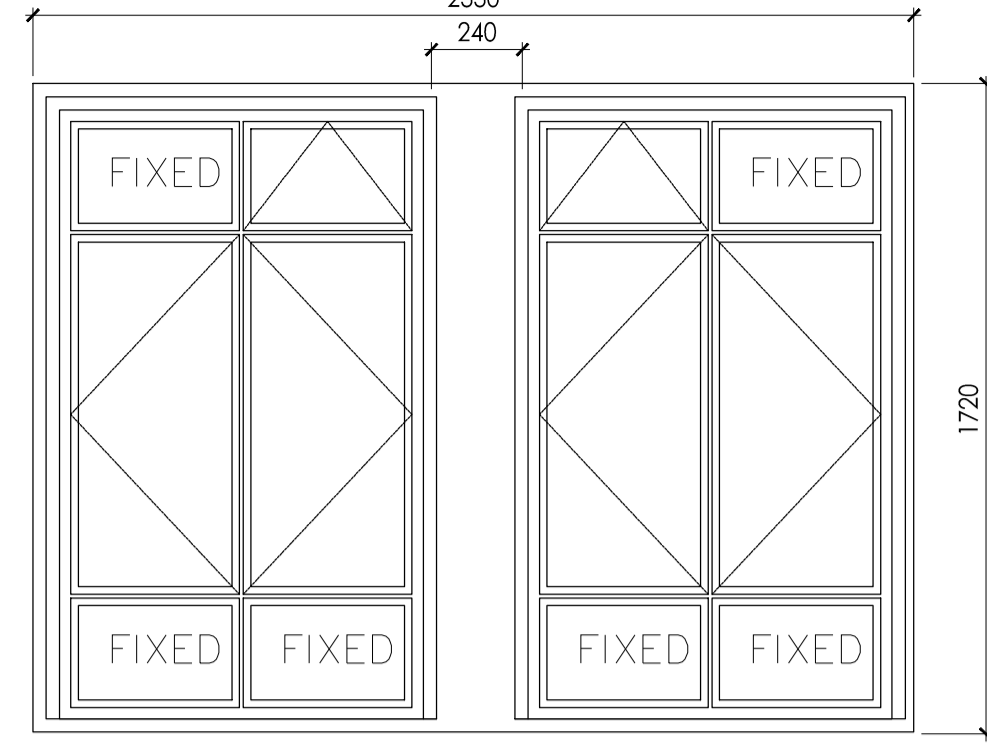
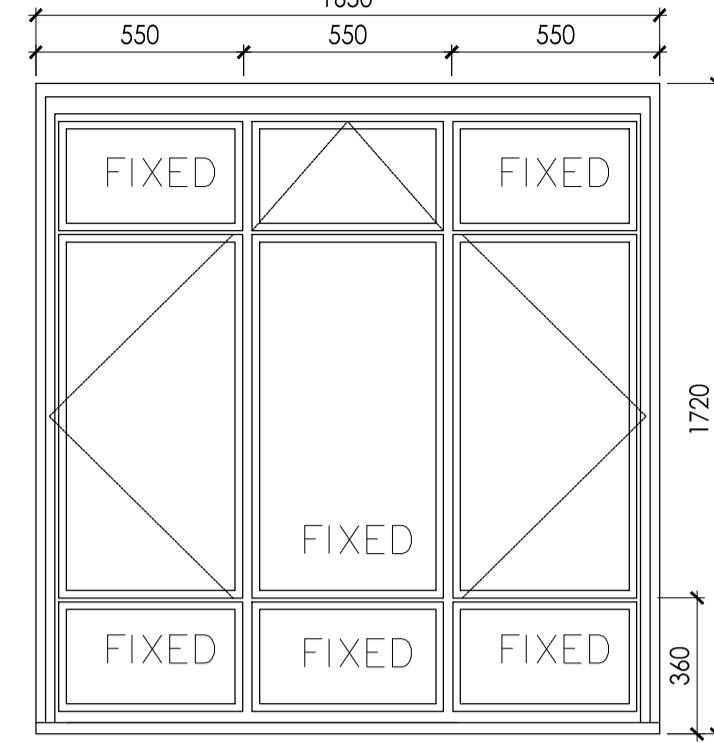


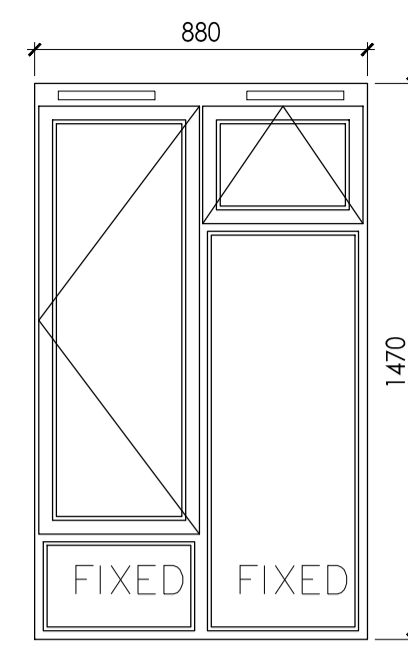
WINDOW TYPE 01



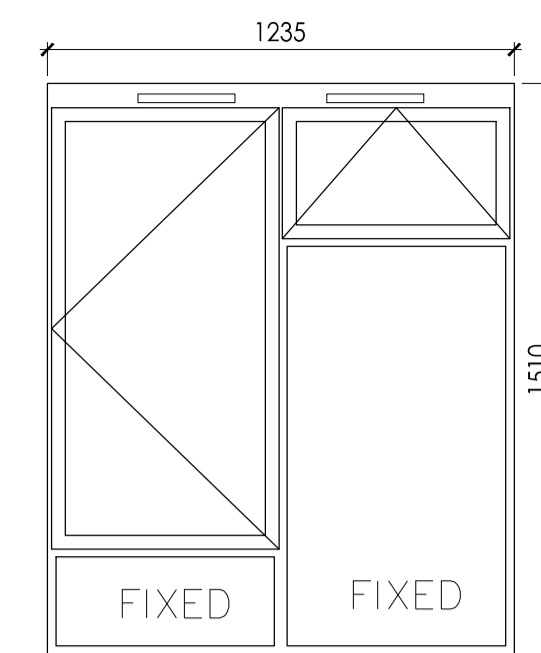
WINDOW TYPE 02



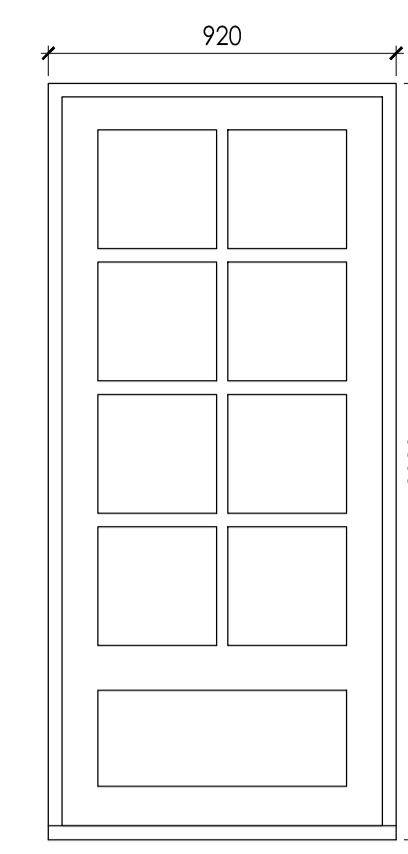
WINDOW TYPE 03



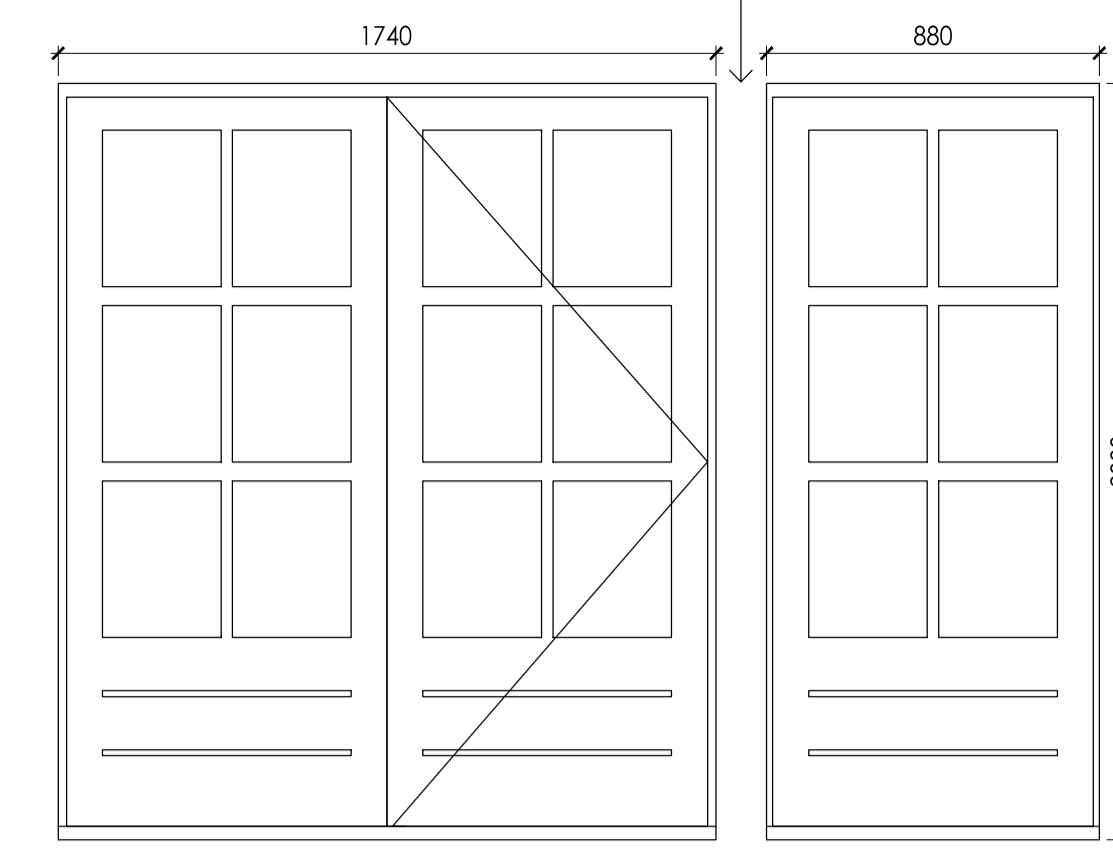
WINDOW TYPE 04



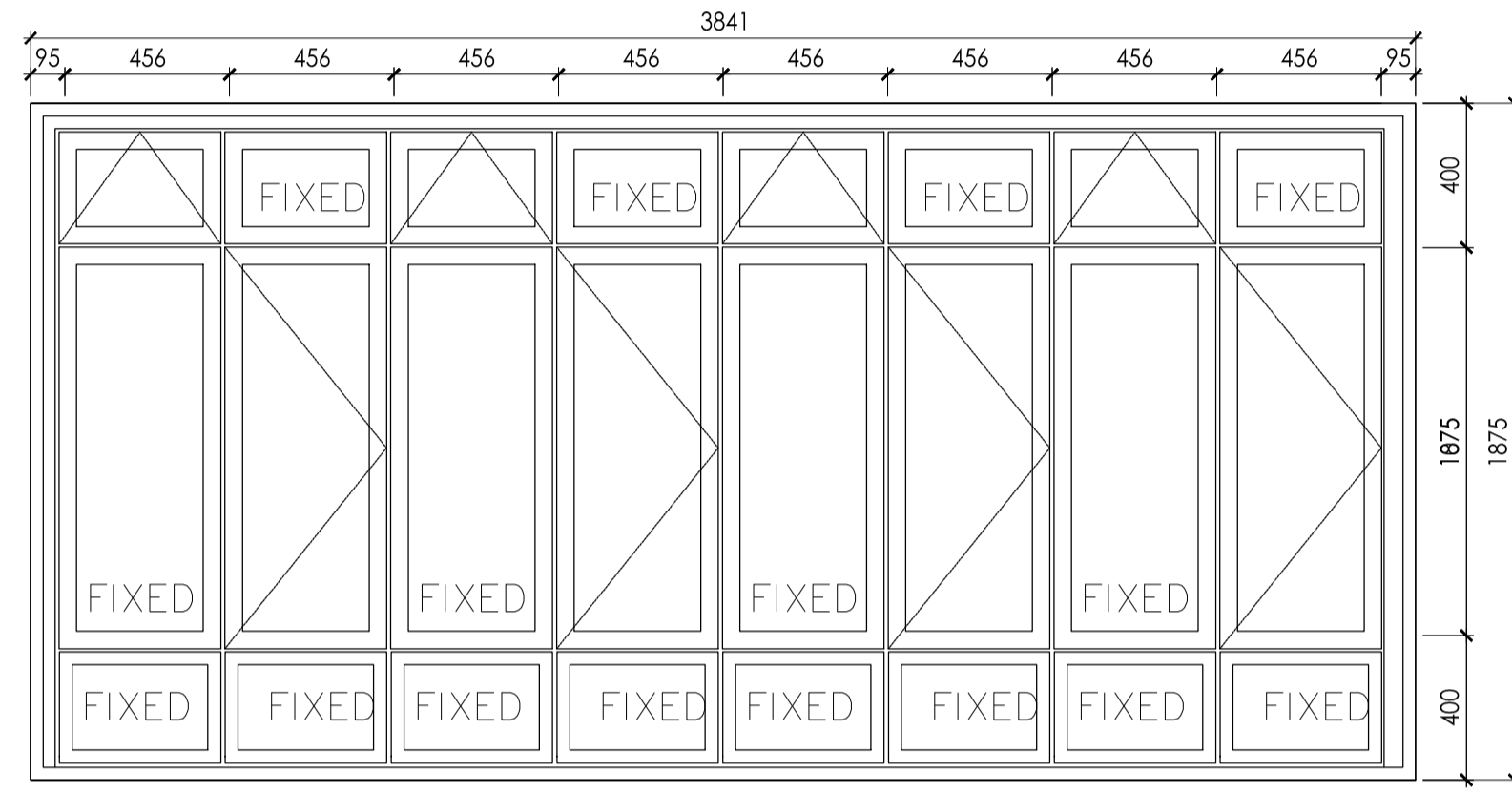
WINDOW TYPE 05



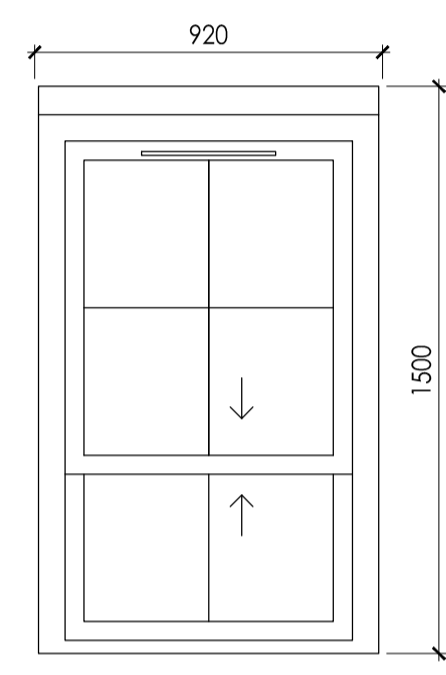
WINDOW TYPE 06
BALCONY DOOR



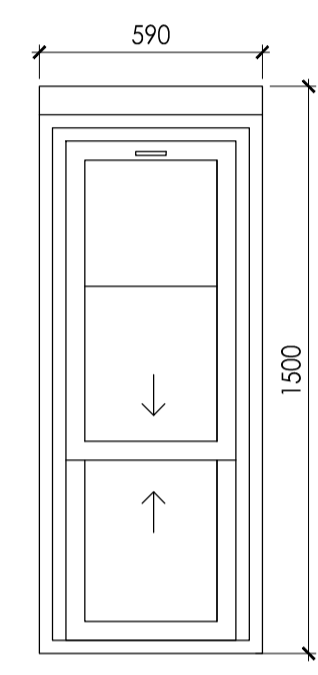
WINDOW TYPE 07
BALCONY DOOR



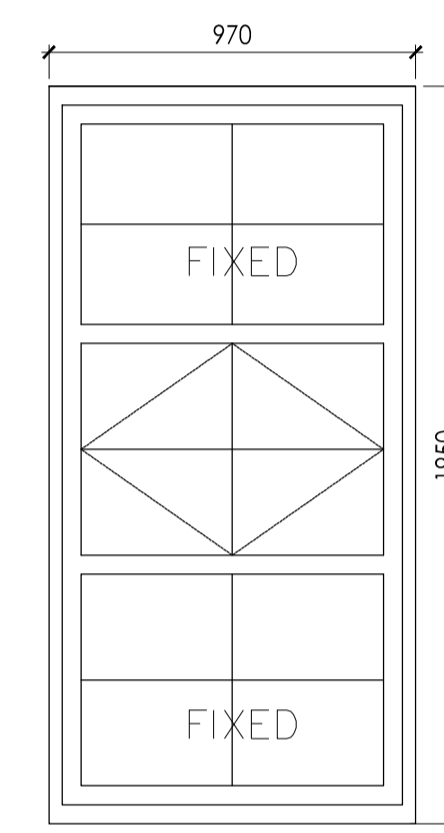
WINDOW TYPE 08



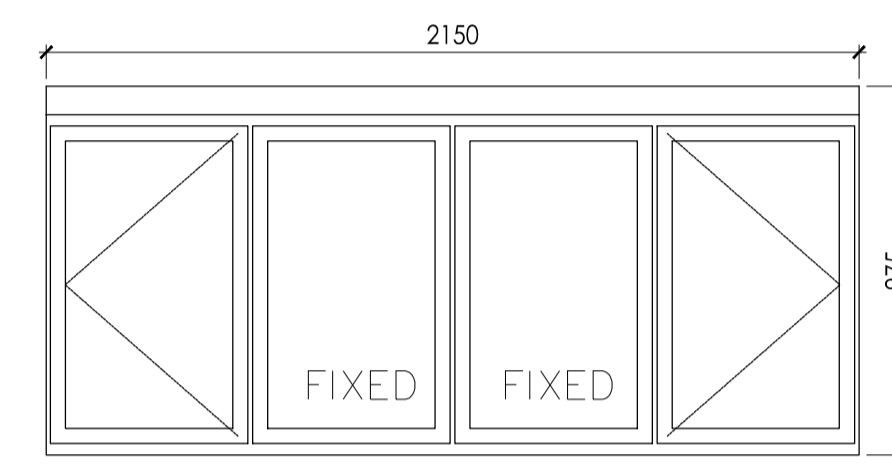
WINDOW TYPE 09



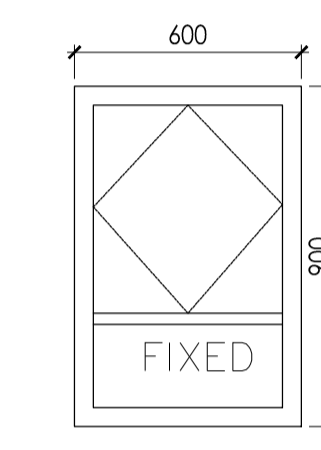
WINDOW TYPE 10



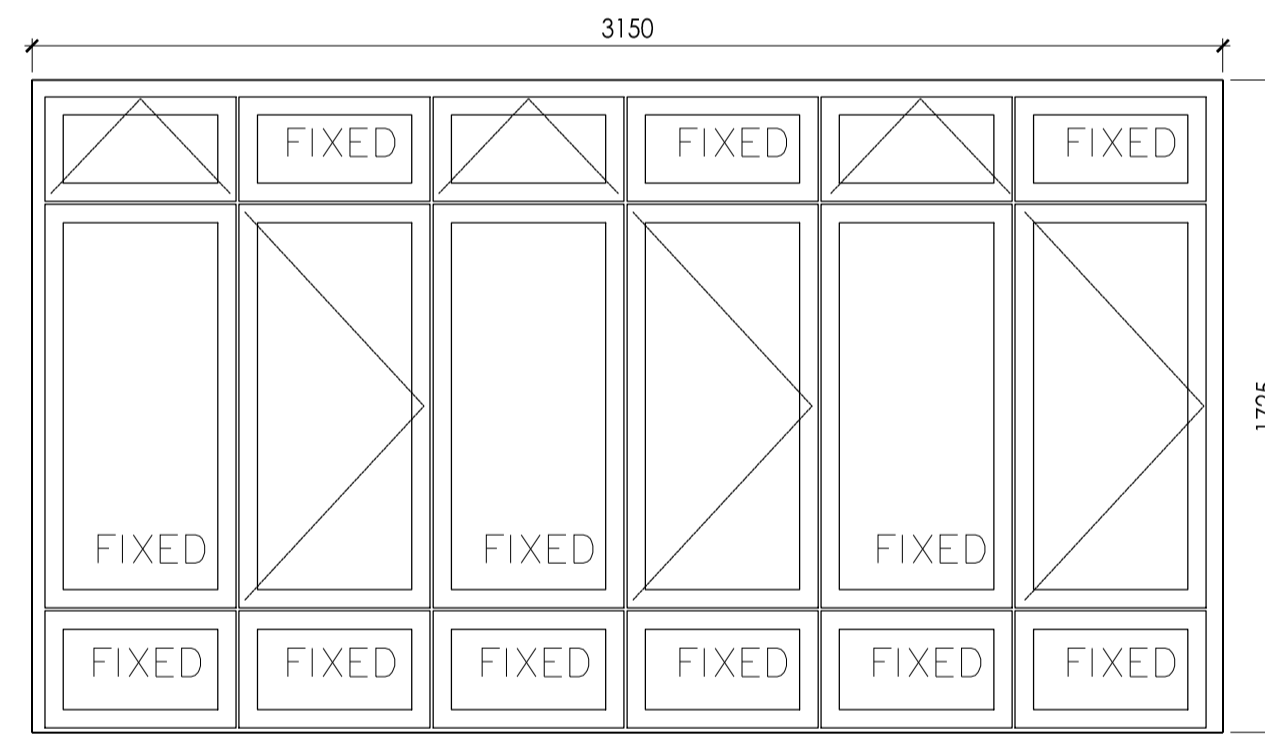
WINDOW TYPE 11



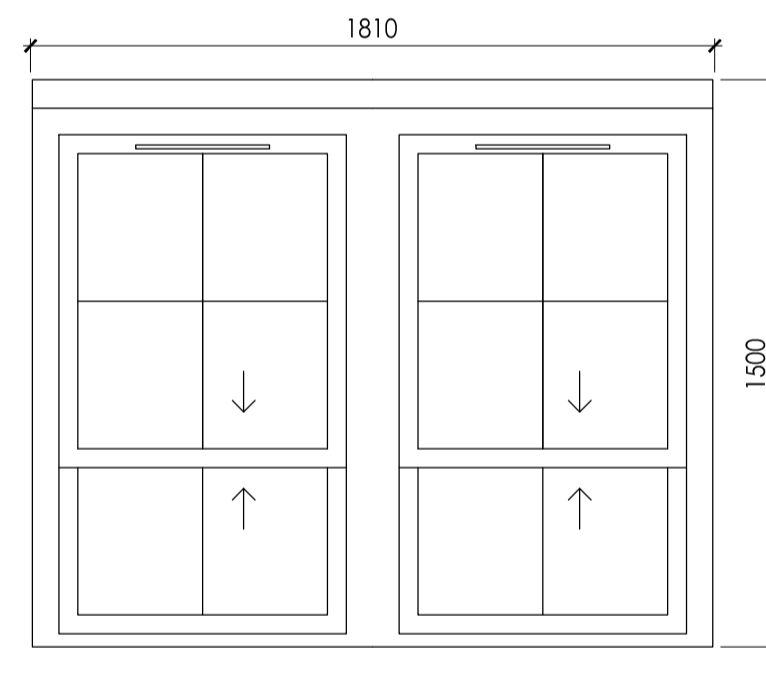
WINDOW TYPE 12



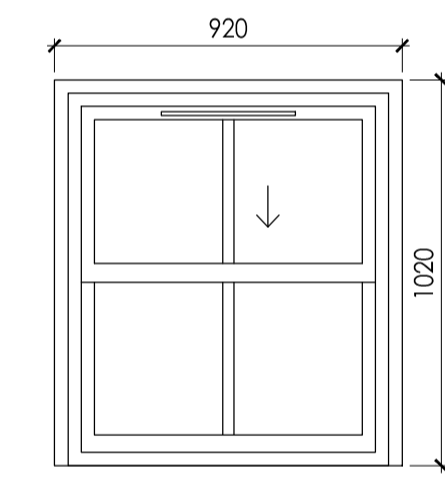
WINDOW TYPE 13



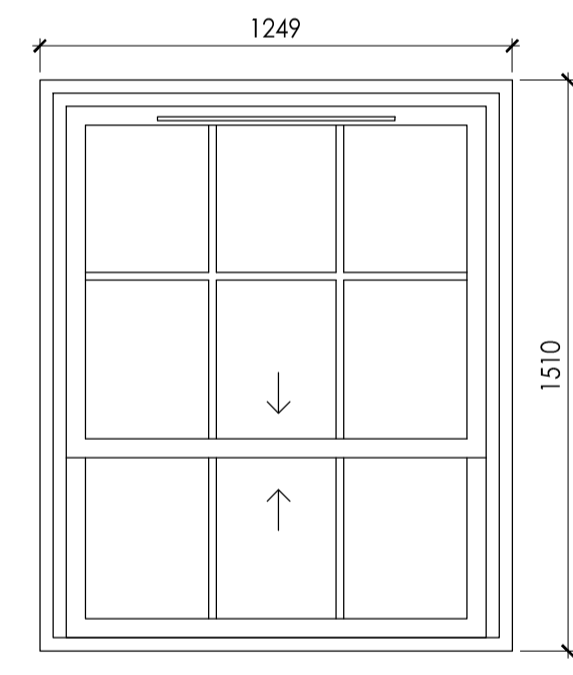
WINDOW TYPE 14



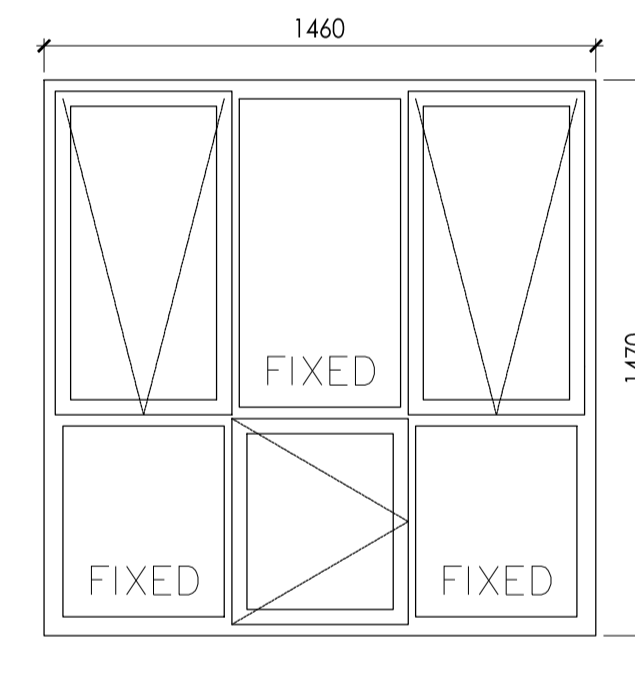
WINDOW TYPE 15



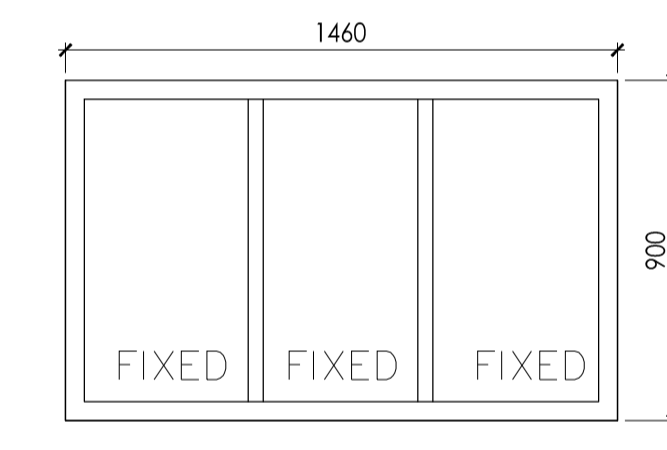
WINDOW TYPE 16



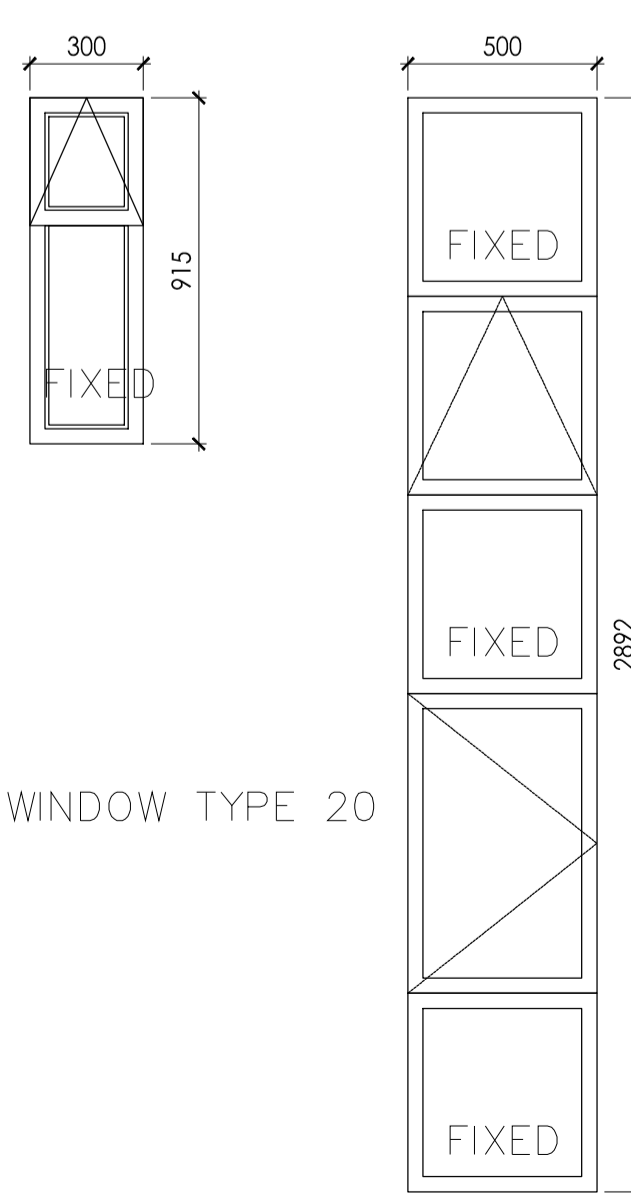
WINDOW TYPE 17



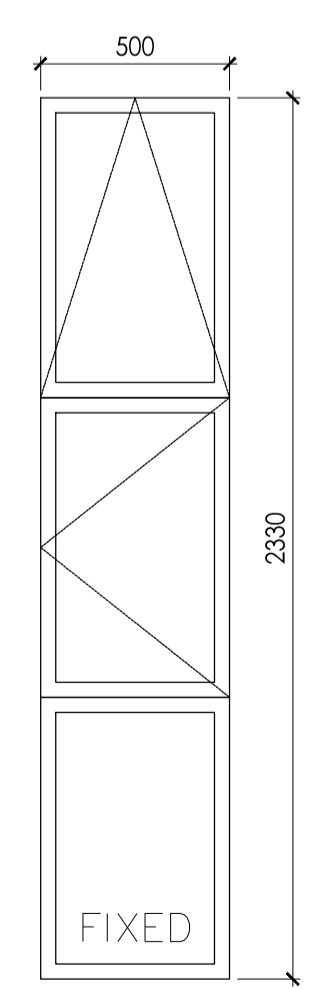
WINDOW TYPE 18



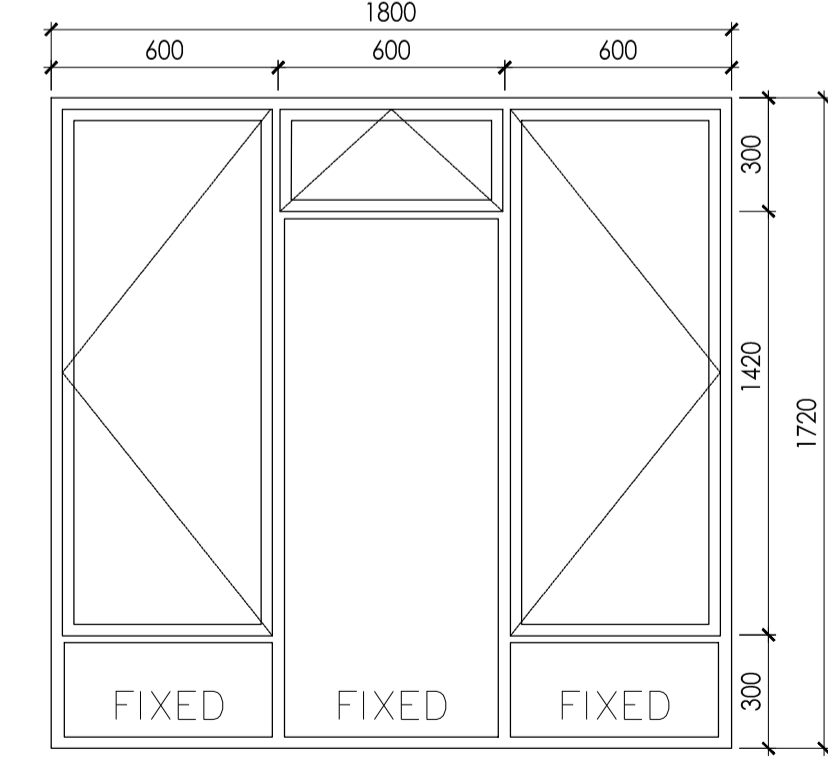
WINDOW TYPE 19



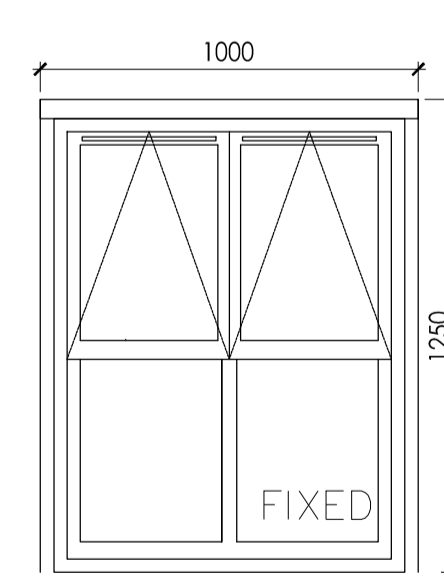
WINDOW TYPE 20



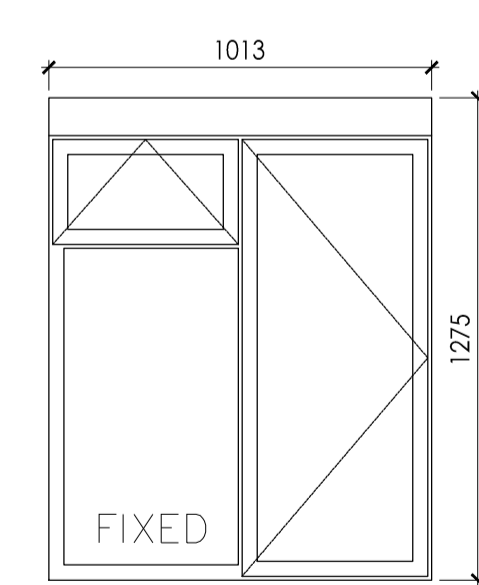
WINDOW TYPE 21



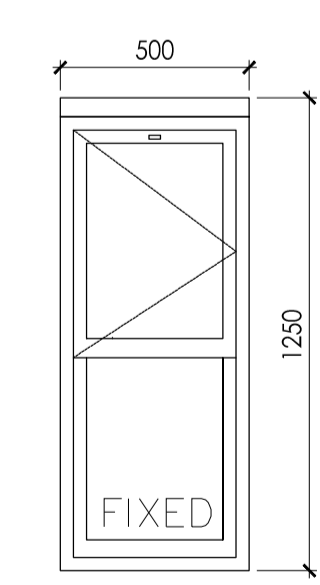
WINDOW TYPE 22



WINDOW TYPE 23



WINDOW TYPE 24

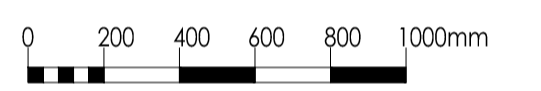


WINDOW TYPE 25

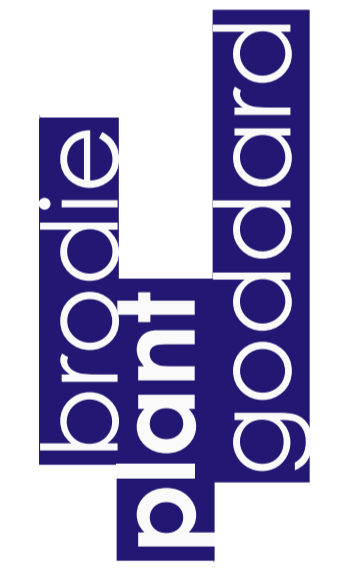
WINDOW TYPE 26

90 DEGREE CORNER

Amendments



DO NOT SCALE FOR CONSTRUCTION



BUILDING SURVEYING
ARCHITECTURE
PROJECT MANAGEMENT
QUANTITY SURVEYING

HOLMBURY HOUSE
DORKING BUSINESS PARK
STATION ROAD, DORKING
SURREY RH4 1HJ

T 01306 887070
F 01306 876716
admin@bpg.co.uk
www.bpg.co.uk

PROJECT
ST RICHARD'S HOUSE
EXTERIOR ENHANCEMENT

CLIENT
ORIGIN HOUSING

DATE
JULY 2015

DRAWN CN CHECKED CM

SCALE 1:20 @ A1 FOR PLANNING

TITLE
WINDOW SCHEDULE - ST
RICHARDS HOUSE - EXISTING

DRAWING NO. 3737/PL006 REV *