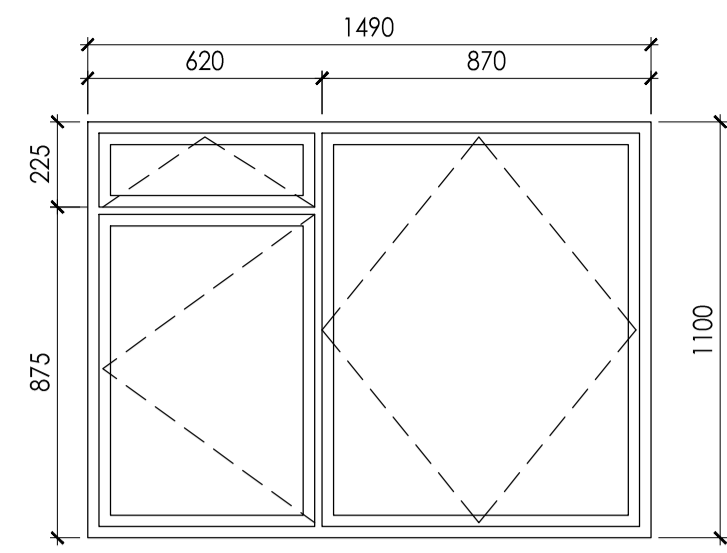
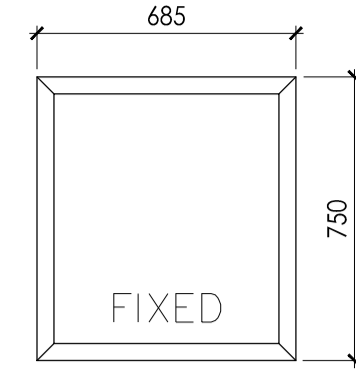


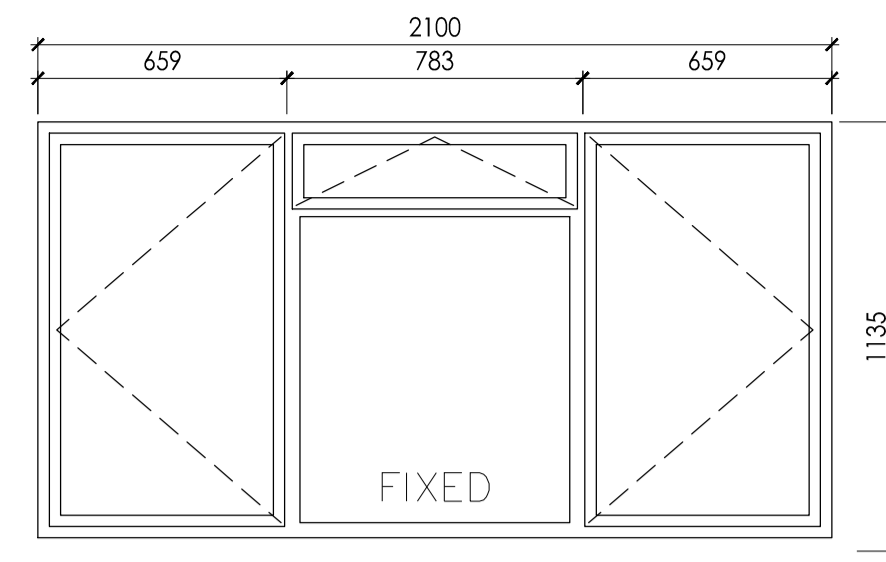
WINDOW TYPE 01



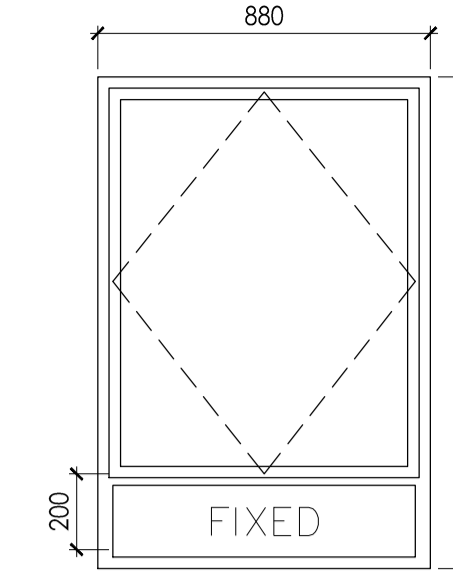
WINDOW TYPE 02



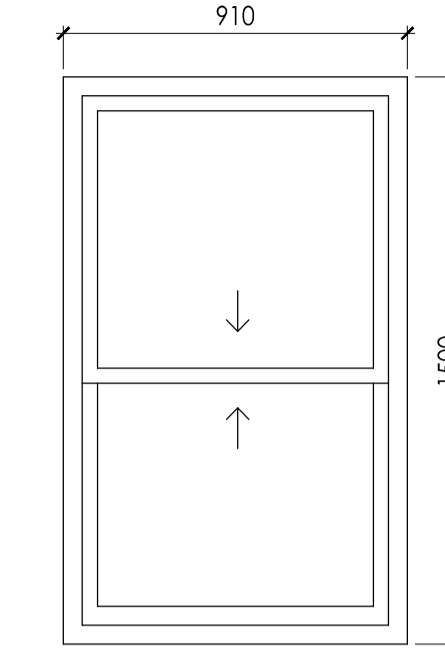
WINDOW TYPE 03



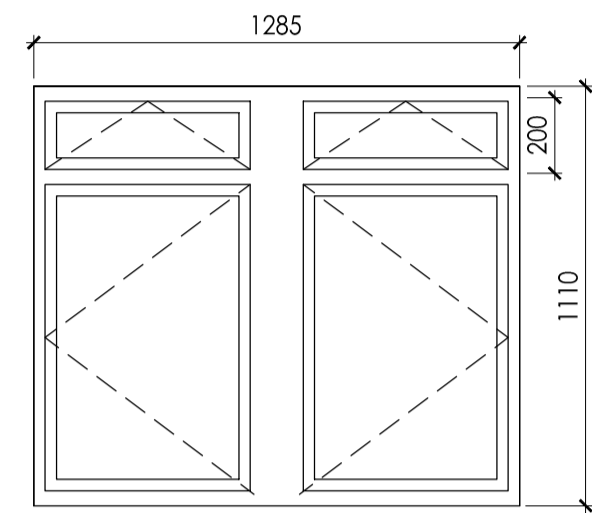
WINDOW TYPE 04



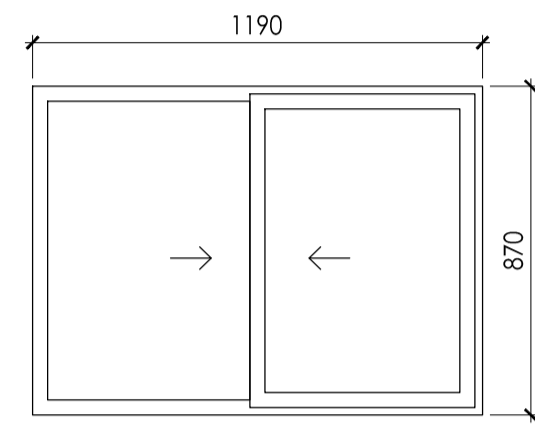
WINDOW TYPE 05



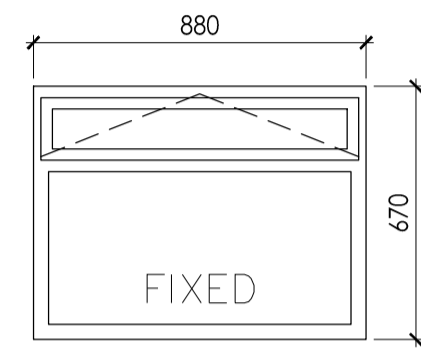
WINDOW TYPE 06



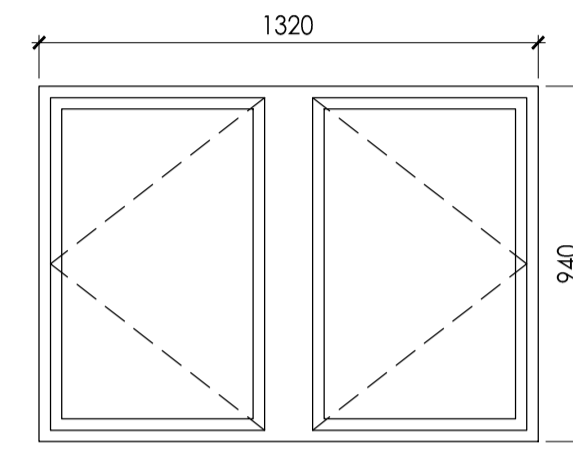
WINDOW TYPE 07



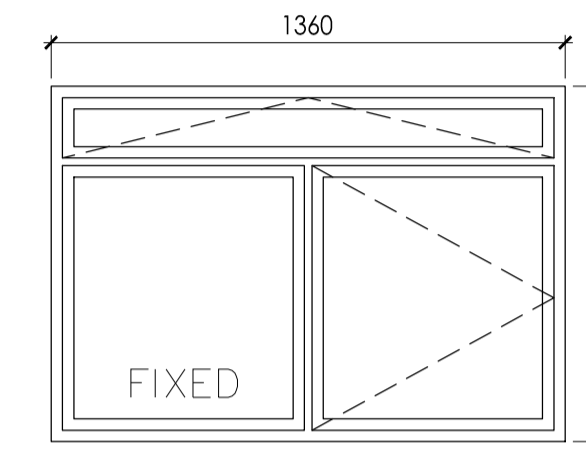
WINDOW TYPE 08



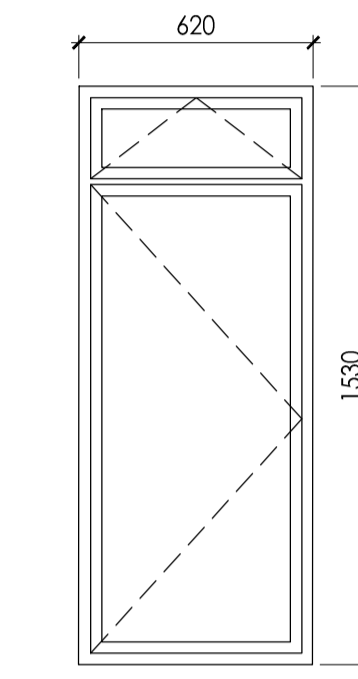
WINDOW TYPE 09



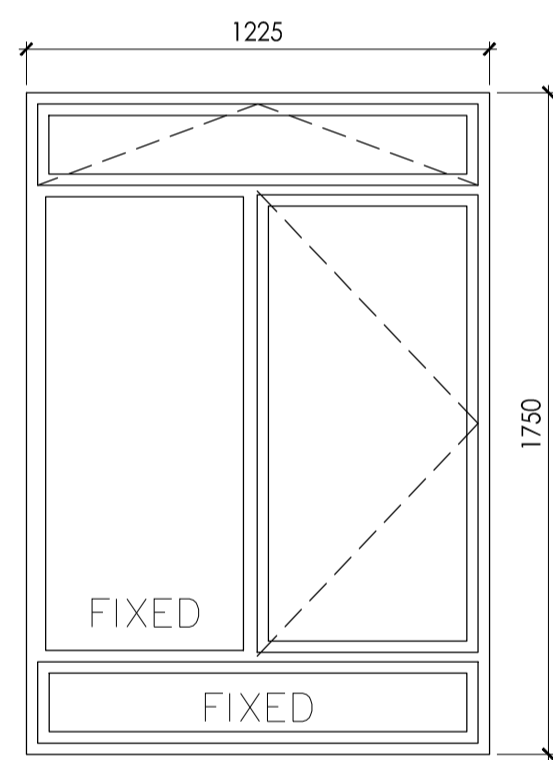
WINDOW TYPE 10



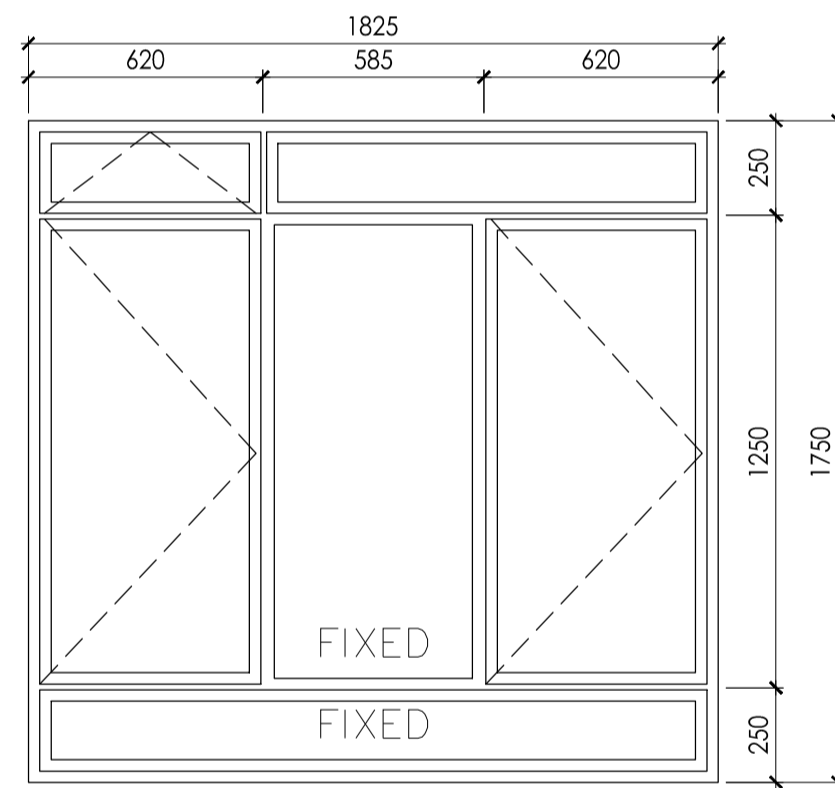
WINDOW TYPE 11



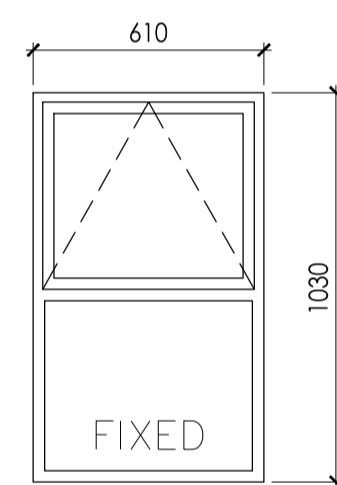
WINDOW TYPE 12



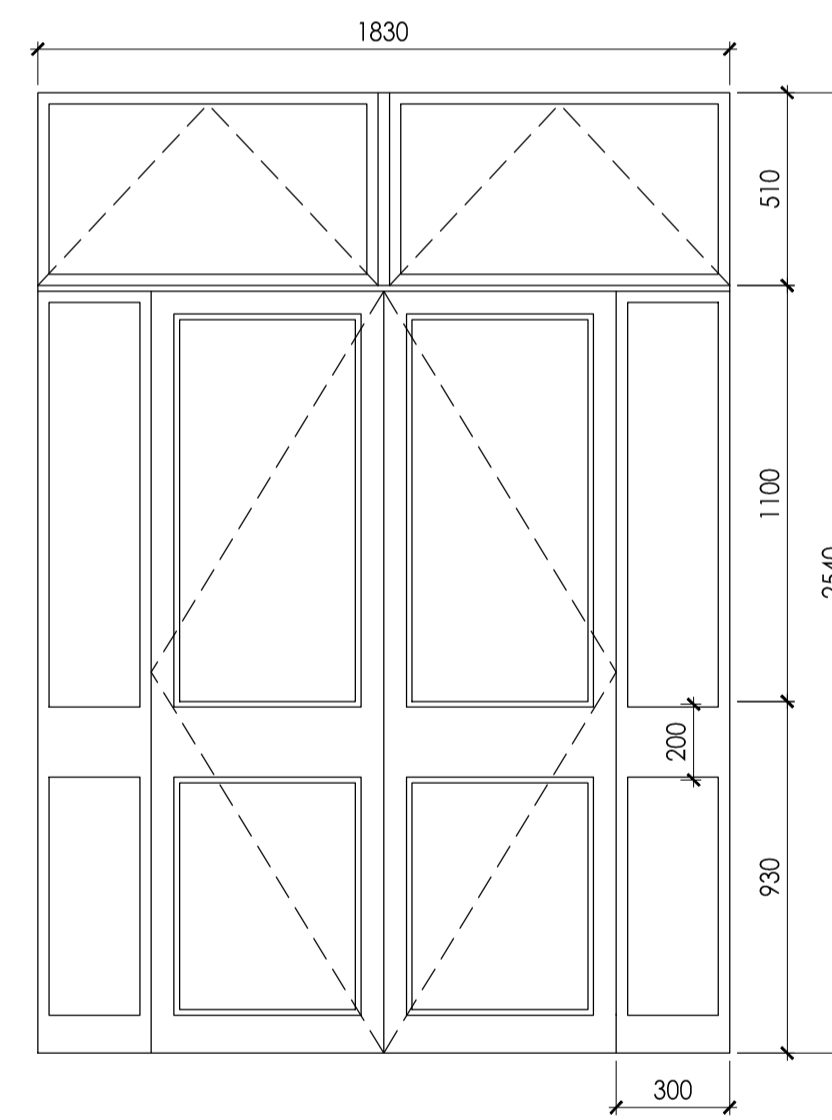
WINDOW TYPE 13



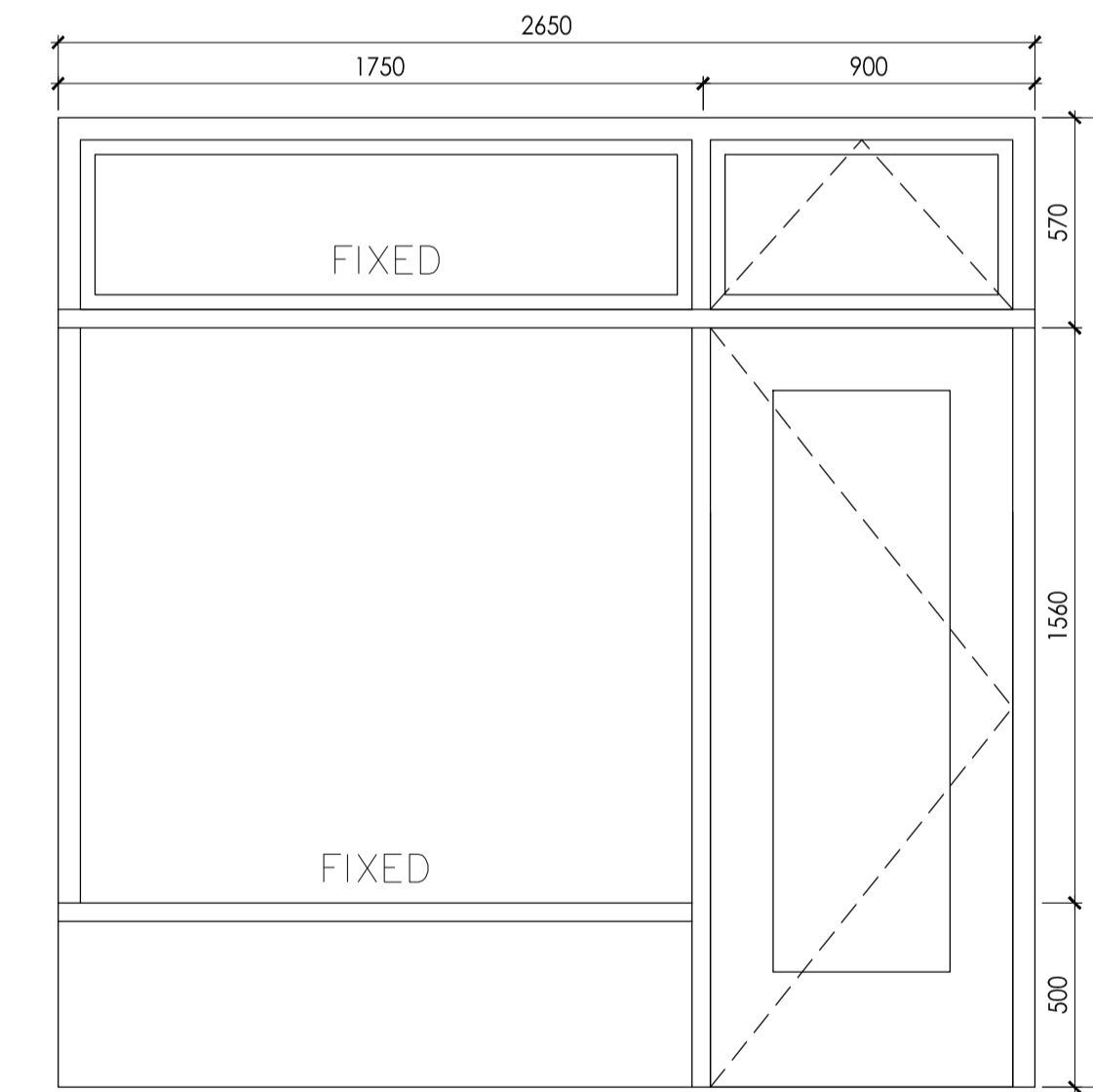
WINDOW TYPE 14



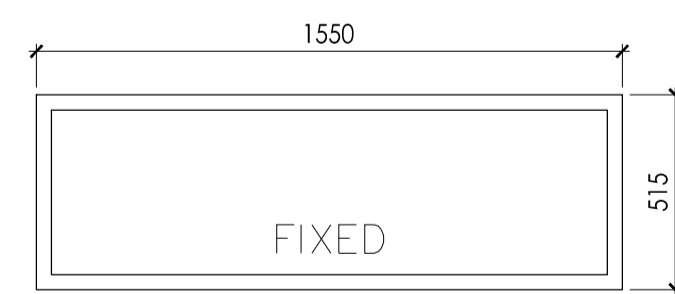
WINDOW TYPE 15



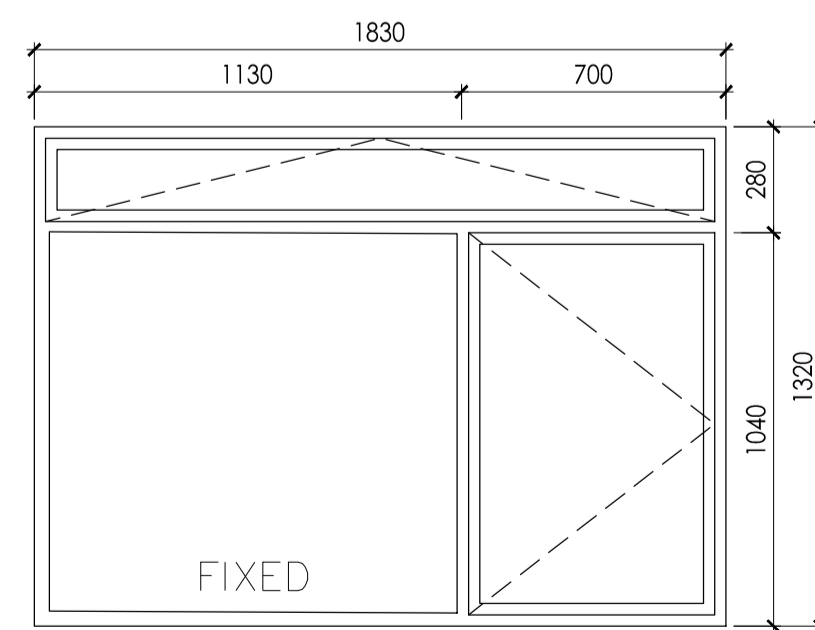
DOOR TYPE 16



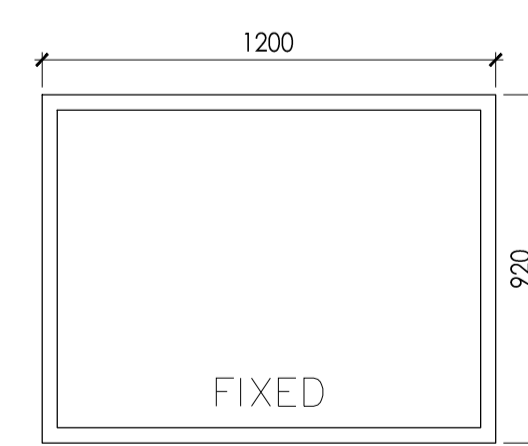
DOOR TYPE 17



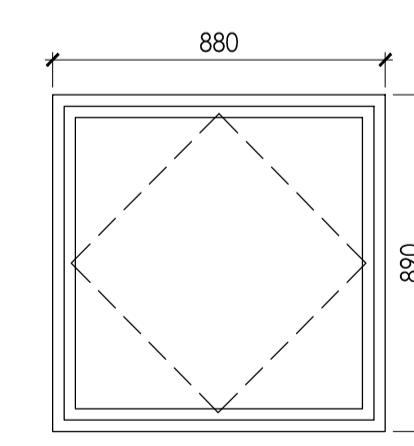
WINDOW TYPE 18



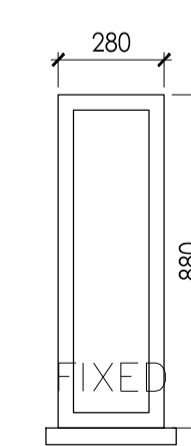
WINDOW TYPE 19



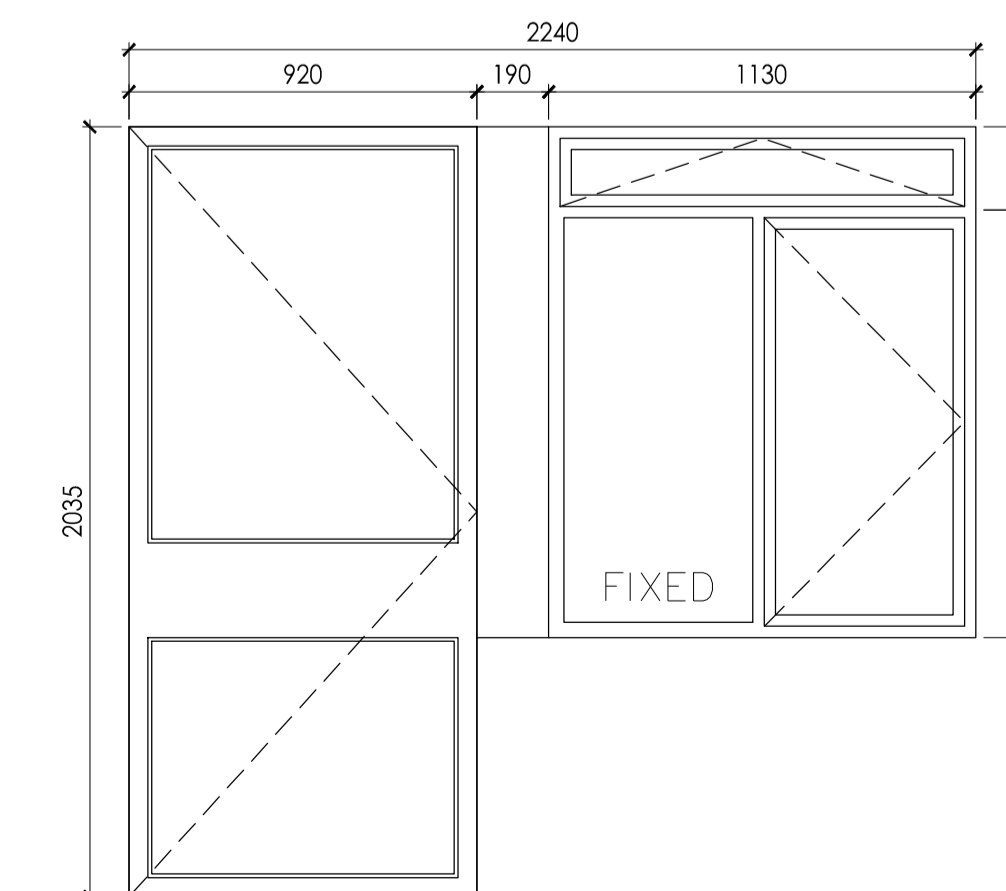
WINDOW TYPE 20



WINDOW TYPE 21



WINDOW TYPE 22



DOOR TYPE 23



DO NOT SCALE FOR CONSTRUCTION



BUILDING SURVEYING
ARCHITECTURE
PROJECT MANAGEMENT
QUANTITY SURVEYING

STUDIOS 1 & 2
OLD KINGS HEAD COURT
11 HIGH STREET
DORKING
SURREY RH4 1AR

T 01306 887070
F 01306 876716
admin@bpg.co.uk
www.bpg.co.uk

PROJECT

HILLWOOD HOUSE -
EXTERIOR ENHANCEMENT

CLIENT

ORIGIN HOUSING

DATE
JULY 2015

DRAWN
CN CHECKED
CM

SCALE
1:20 @ A1 FOR
PLANNING

TITLE
WINDOW SCHEDULE -
HILLWOOD HOUSE - EXISTING

DRAWING NO.
3737/PL002 REV
*