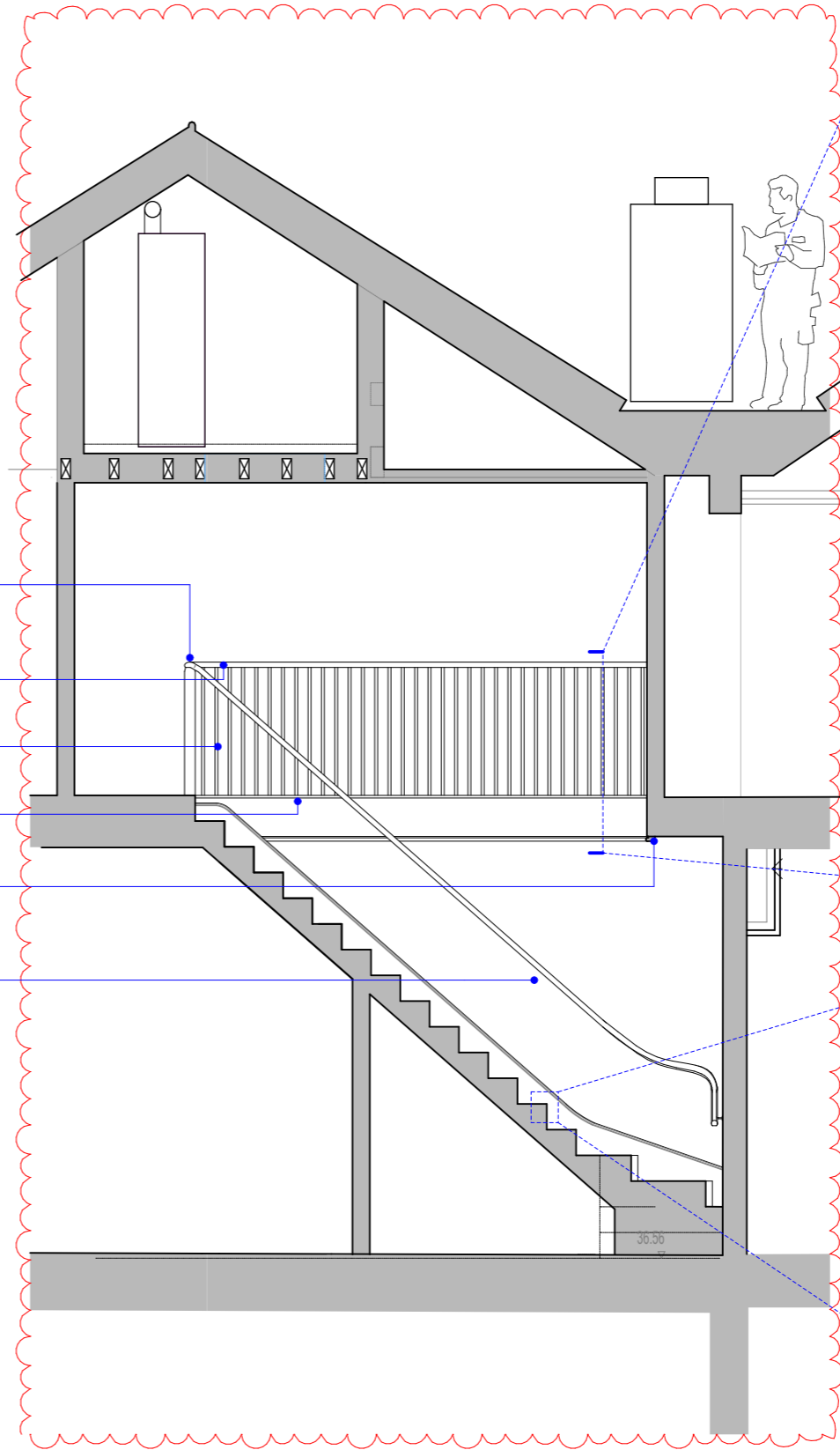
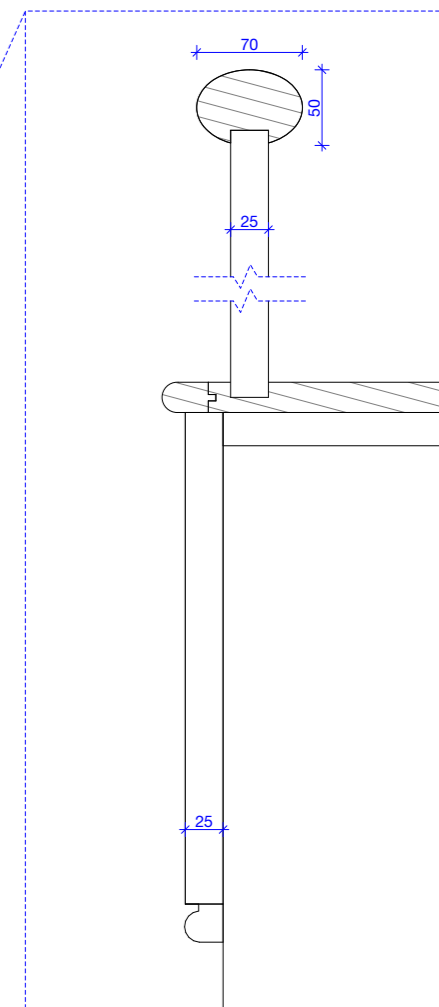


Stair section facing east 1:50

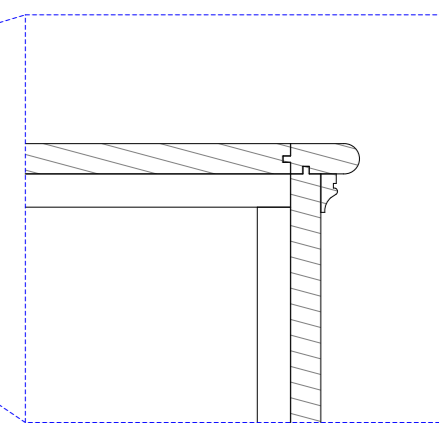
- 80x80mm Newel post with hardwood bun cap - French polished
- Hardwood 'mop' handrail - French polished
- 22x22mm square hardwood spindles inserted into floor & handrail - painted
- 'D' section nosing to floor finish
- Painted apron to match depth of floor, with torus bead to plaster edge
- Handrail - mop rail on brackets
- String top to match skirting
- Modern fanlight removed to accommodate head height for stair.



Stair section facing west 1:50



Apron detail 1:5



Stair nosing detail 1:5

REV	DATE	Drawn	AMENDMENT
C	03.07.15	SB	Minor amendments in detail
B	01.07.15	EO	Minor amendments in detail
A	23.06.15	SB	Stair updated to BDP drawings

File: 1509_Bedford_Square_CURRENT
Date: 03/07/2015

Granit Chartered Architects
Architecture + Design

t: 020 7924 4555 e: info@granit.co.uk w: www.granit.co.uk
Studios 18-19, 16 Porteus Place, Clapham, London SW4 0AS

PURPOSE
FOR COMMENT

NOTES:
IF THIS DRAWING HAS BEEN ISSUED 'FOR CONSTRUCTION' DO NOT SCALE DIRECTLY FROM IT. IF YOU REQUIRE CONFIRMATION OF ANY DIMENSIONS PLEASE CONTACT ARCHITECT. ALL DIMENSIONS TO BE CHECKED ON-SITE ANY DISCREPANCIES TO BE RAISED WITH CONTRACT ADMINISTRATOR

©GRANIT CHARTERED ARCHITECTS LTD

THIS DRAWING HAS BEEN PRODUCED FOR THE NAMED CLIENT AND NAMED PROJECT AND IS NOT INTENDED FOR USE BY ANY OTHER PERSON OR FOR ANY OTHER PURPOSE

42 Bedford Square, London WC1B 3DP FOR: Classic Design Investments Ltd	
New Stair Balustrade Detail	
1:50, 1:5 @ A3	
Drawn: EO/NH	Date: 03/07/2015
Drawing No: 1509/P/120	REV: C