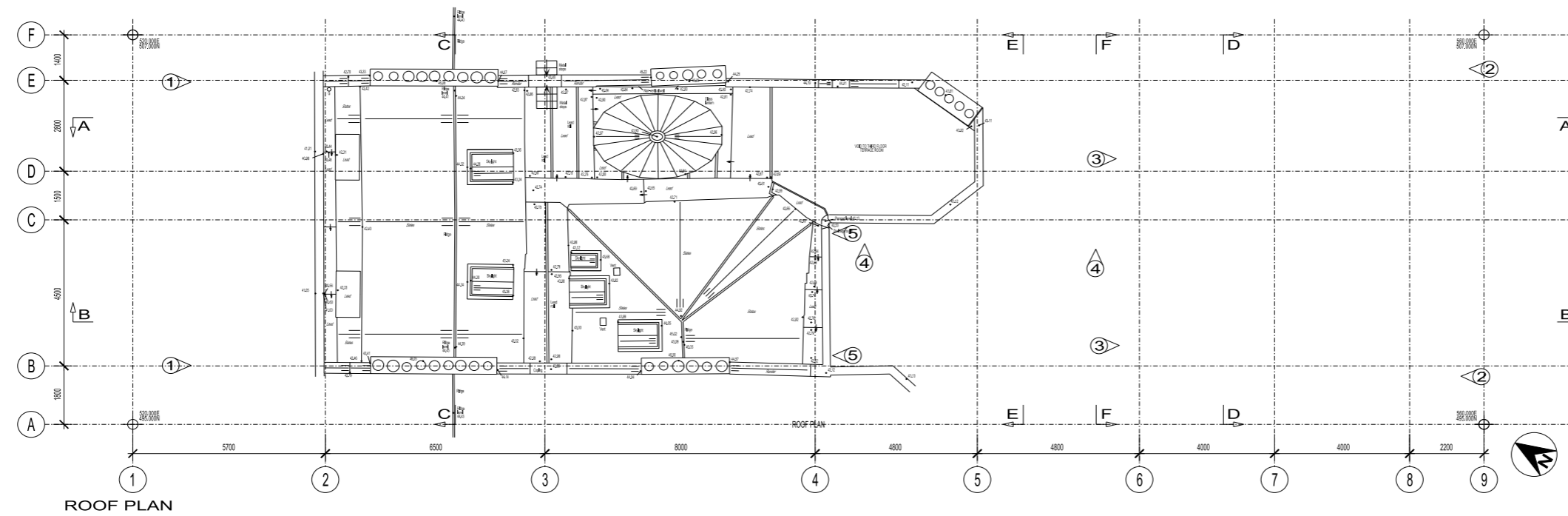


THIRD FLOOR PLAN



ROOF PLAN

**LEGEND**

|  |                  |  |                     |
|--|------------------|--|---------------------|
|  | SURVEY STATION   |  | LEVEL POSITION      |
|  | STEP UP          |  | SLIPPED CEILING     |
|  | SLIPPED FLOOR    |  | SLIPPED BOUNDARY    |
|  | FENCE            |  | GATE                |
|  | RAIL EXCHANGE    |  | FLOOR LEVEL         |
|  | STORM DRAINAGE   |  | TERRACE             |
|  | UTILITY MAN      |  | TERRACE LEVEL       |
|  | ELECTRICITY CON  |  | TELEPHONE CON       |
|  | ELECTRICITY PIPE |  | WATER PIPE          |
|  | BOARDING LINE    |  | GAS                 |
|  | ARCHWAY CEILING  |  | GLASSWARD DIRECTION |
|  | SECTION          |  | ANGLED FACE         |

**FENCE TYPES AND ABBREVIATIONS**

|    |               |    |                |
|----|---------------|----|----------------|
| BR | BARRIER       | BR | BROWN BUILDING |
| CC | CONCRETE CURB | CH | CHIMNEY        |
| CL | CONCRETE CURB | CH | CHIMNEY        |
| CM | CONCRETE CURB | CH | CHIMNEY        |
| CM | CONCRETE CURB | CH | CHIMNEY        |

**LEVELS AND HEIGHTS**

|    |                  |    |                  |
|----|------------------|----|------------------|
| AR | ARCH HEAD HEIGHT | AR | ARCH HEAD HEIGHT |
| AR | ARCH HEAD HEIGHT | AR | ARCH HEAD HEIGHT |
| AR | ARCH HEAD HEIGHT | AR | ARCH HEAD HEIGHT |
| AR | ARCH HEAD HEIGHT | AR | ARCH HEAD HEIGHT |
| AR | ARCH HEAD HEIGHT | AR | ARCH HEAD HEIGHT |

**ABBREVIATIONS (Where Applicable)**

|    |                  |    |                  |
|----|------------------|----|------------------|
| AR | ARCH HEAD HEIGHT | AR | ARCH HEAD HEIGHT |
| AR | ARCH HEAD HEIGHT | AR | ARCH HEAD HEIGHT |
| AR | ARCH HEAD HEIGHT | AR | ARCH HEAD HEIGHT |
| AR | ARCH HEAD HEIGHT | AR | ARCH HEAD HEIGHT |
| AR | ARCH HEAD HEIGHT | AR | ARCH HEAD HEIGHT |

**DATUM: NEWLYN**  
 NEWLYN HEIGH (1985) (L.S.D.)  
 CUP MARK LOCATED ON SOUTH EAST FACE OF NO.11 BEDFORD SQUARE  
 VALUE 51.76M

|  |  |   |  |
|--|--|---|--|
| <p><b>BUILDING DESIGN PARTNERSHIP</b> LTD SHALL HAVE NO RESPONSIBILITY FOR ANY USE OF THIS DOCUMENT OTHER THAN THAT FOR WHICH IT WAS PROVIDED AND ISSUED.</p> <p>ALL DIMENSIONS SHOULD BE CHECKED ON SITE.</p> <p>DO NOT SCALE FROM THIS DRAWING.</p> <p>ANY CHANGES TO THIS DRAWING SHOULD BE BROUGHT TO THE ATTENTION OF BUILDING DESIGN PARTNERSHIP LTD AT THE ADDRESS SHOWN.</p> | <p>18 Bedford Square Yard<br/>                 London, EC1Y 4LJ<br/>                 United Kingdom<br/>                 T +44 (0)20 7612 8800<br/>                 F +44 (0)20 7612 8899<br/>                 www.bdp.com</p> | <p><b>BDP.</b> 42 BEDFORD SQUARE</p>  | <p>P2005698</p>                          |
|  |  | <p>THIRD FLOOR PLAN and<br/>                 ROOF PLAN<br/>                 AS EXISTING</p> | <p>1:50<br/>                 04.2013</p> |