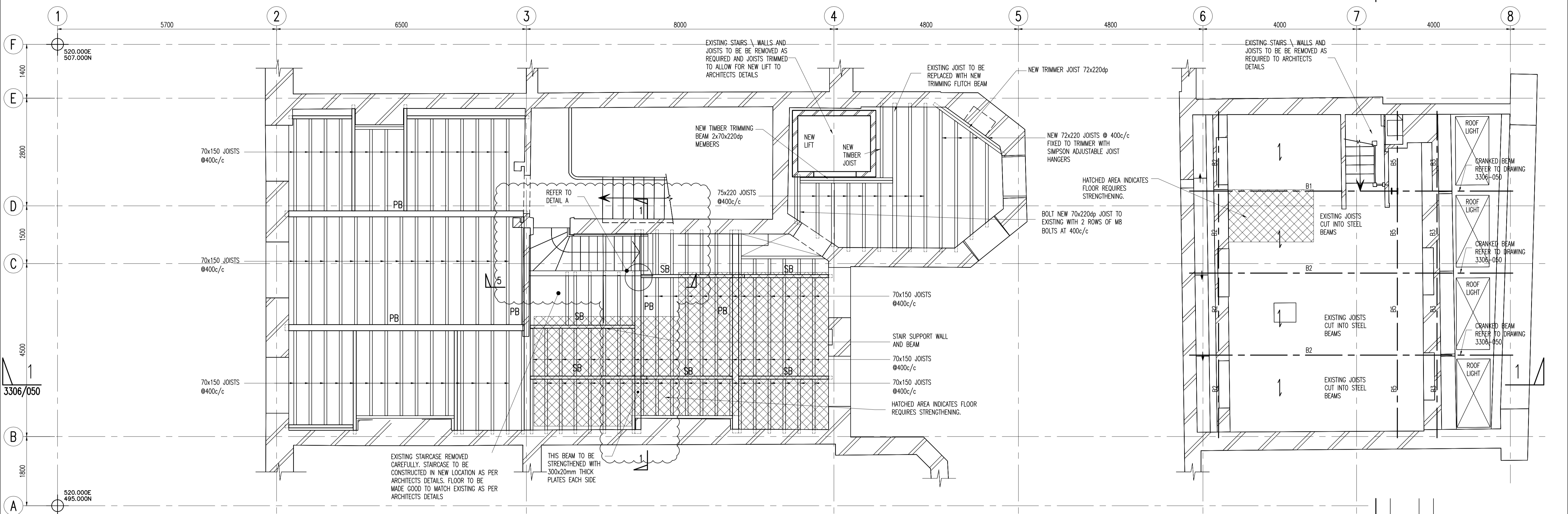
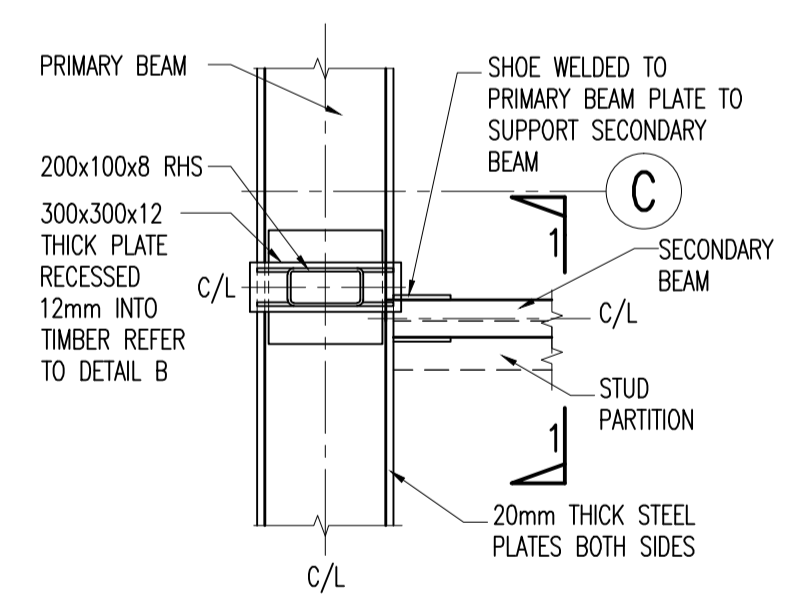


**Notes**

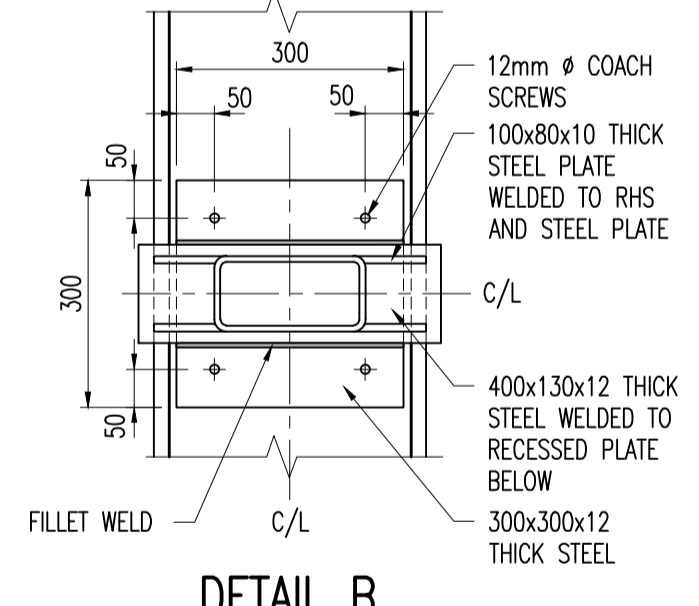
1. ALL DIMENSIONS ARE IN MILLIMETRES AND LEVELS IN METRES.
2. THIS DRAWING TO BE READ IN CONJUNCTION WITH RELEVANT ARCHITECT'S AND ENGINEER'S DRAWINGS AND SPECIFICATIONS.
3. THIS DRAWING HAS BEEN PRODUCED ELECTRONICALLY AND MAY HAVE BEEN PHOTO REDUCED OR ENLARGED WHEN COPIED. HENCE, DO NOT RELY ON ANY SCALES QUOTED. WORK ONLY TO FIGURED DIMENSIONS (DO NOT SCALE). ALL DIMENSIONS TO BE CHECKED ON SITE. ANY ERRORS OR OMISSIONS TO BE REPORTED TO THE ENGINEER IMMEDIATELY.



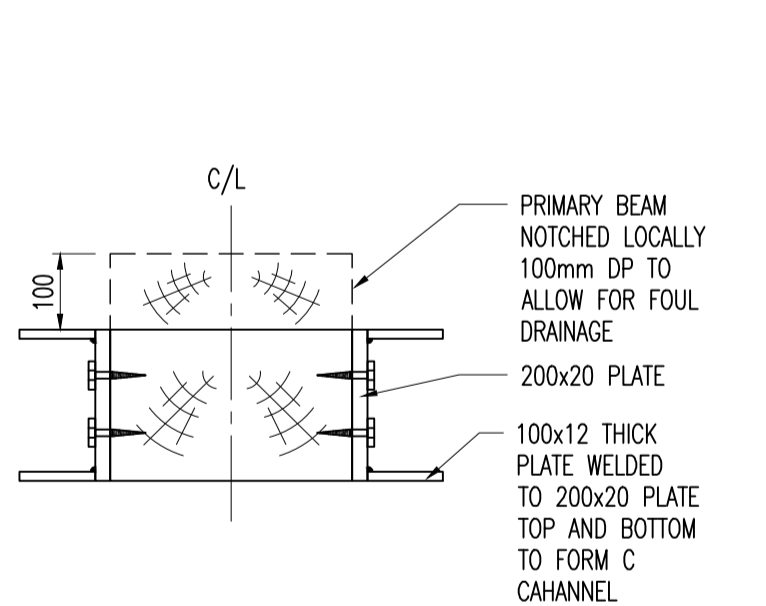
**SECOND FLOOR**  
SCALE 1:50



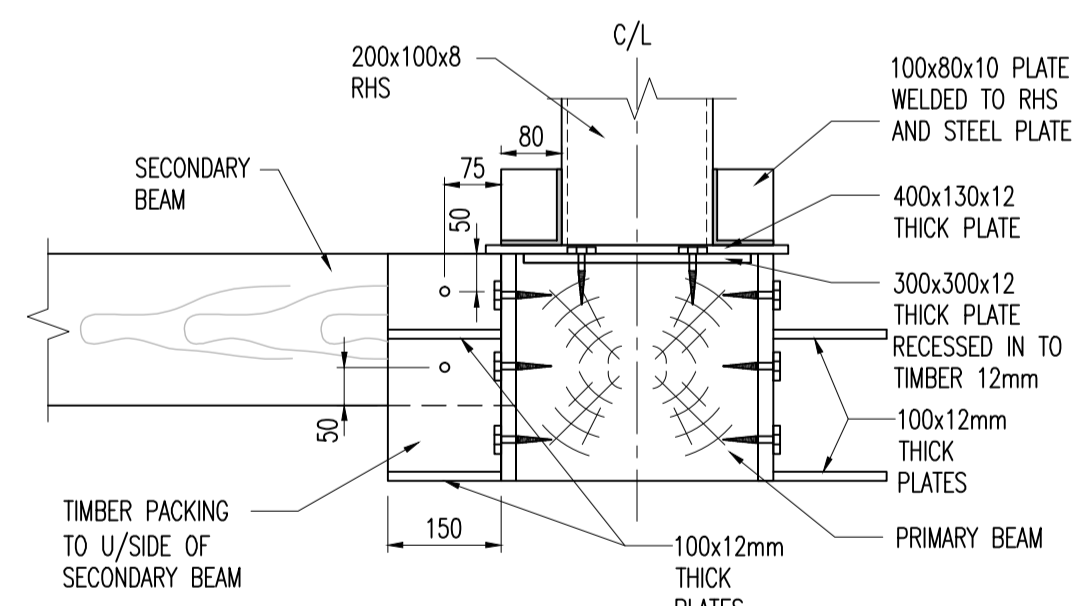
**DETAIL A**  
**STEEL POST CONNECTION**  
SCALE 1:20



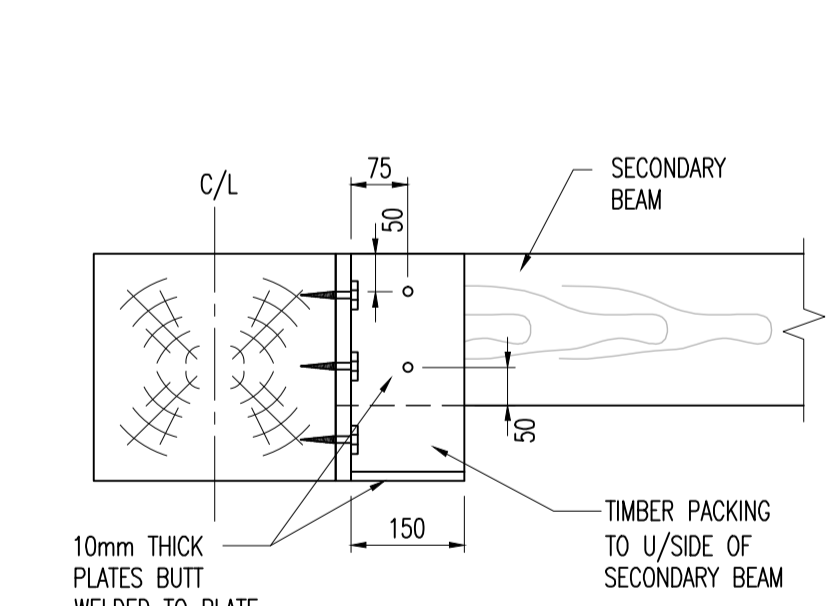
**DETAIL B**  
SCALE 1:10



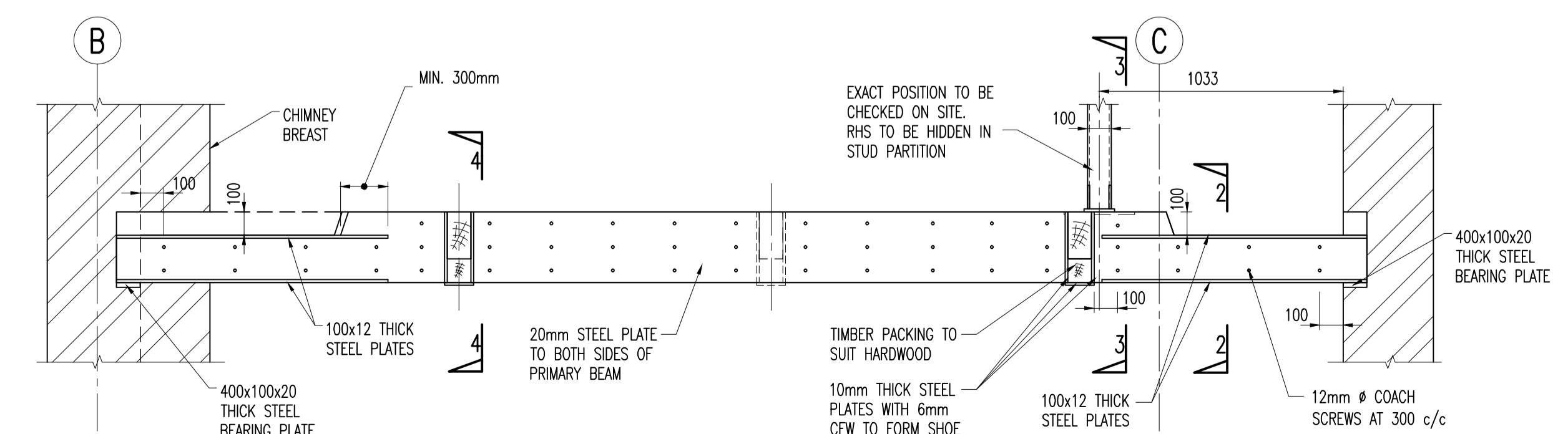
**SECTION 2-2**  
SCALE 1:10



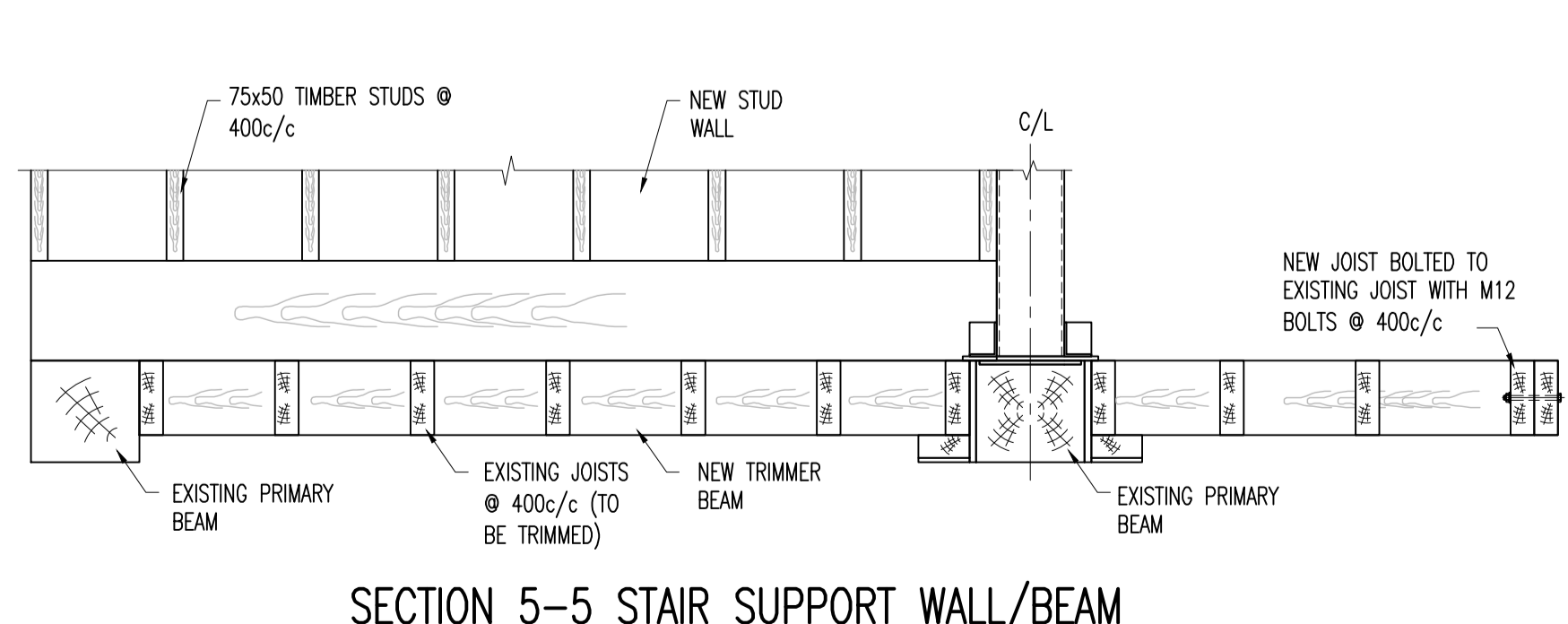
**SECTION 3-3**  
SCALE 1:10



**SECTION 4-4**  
SCALE 1:10



**SECTION 1-1**  
SCALE 1:20



**SECTION 5-5 STAIR SUPPORT WALL/BEAM**  
(3306-005)  
SCALE 1:20

**STEEL BEAM SCHEDULE**

BEAM REF	MEMBER SIZE
B1	457x191x67 UB
B2	356x171x45 UB
B3	152x89x16 UB
B4	100x100x8 RSA
B5	406x178x54 UB

**LEGEND**

- ← DENOTES HIDDEN JOISTS 70x220 @ 400 CENTRES APPROX. (SIZE VARIES ±10)
- PB = PRIMARY BEAM, TIMBER BEAM 320x300DP. SIZE VARIES.
- SB = SECONDARY BEAM, TIMBER BEAM 100x200DP. SIZE VARIES.
- NOTE: BEAMS MARKED HIDDEN ARE ASSUMED SIZE AND LOCATION

**C.D.M.**

SIGNIFICANT RISKS AND HAZARDS:

KEY DESIGN DECISIONS TO REDUCE OR ELIMINATE HAZARDS:

P2	02.07.15	ASP	REVISED AS CLOUDED
P1	24.06.15	ASP	FIRST ISSUE
Rev.	Date	By	Details Of Revision

**BDP**

Project: **42 BEDFORD AND 13 BEDFORD AVENUE**

Title: **GENERAL ARRANGEMENT SECOND FLOOR PLAN APPLICATION**

**Walsh Associates**  
Consulting Civil & Structural Engineers  
32 Lafone Street, London, SE1 2LX  
Tel: +44 (0)20 7089 6800  
Fax: +44 (0)20 7089 6801  
E-mail: london@walshgroup.eu.com

Status: **PRELIMINARY**

Drawn: DJB | A1 Scales: 1:50  
Date: MAY 13 | Eng: SW | Chk: MG | App'd: SW  
File Ref:

ACTUAL DIMENSION = 80mm

Drawing No. **3306/302** | Rev. **P2**