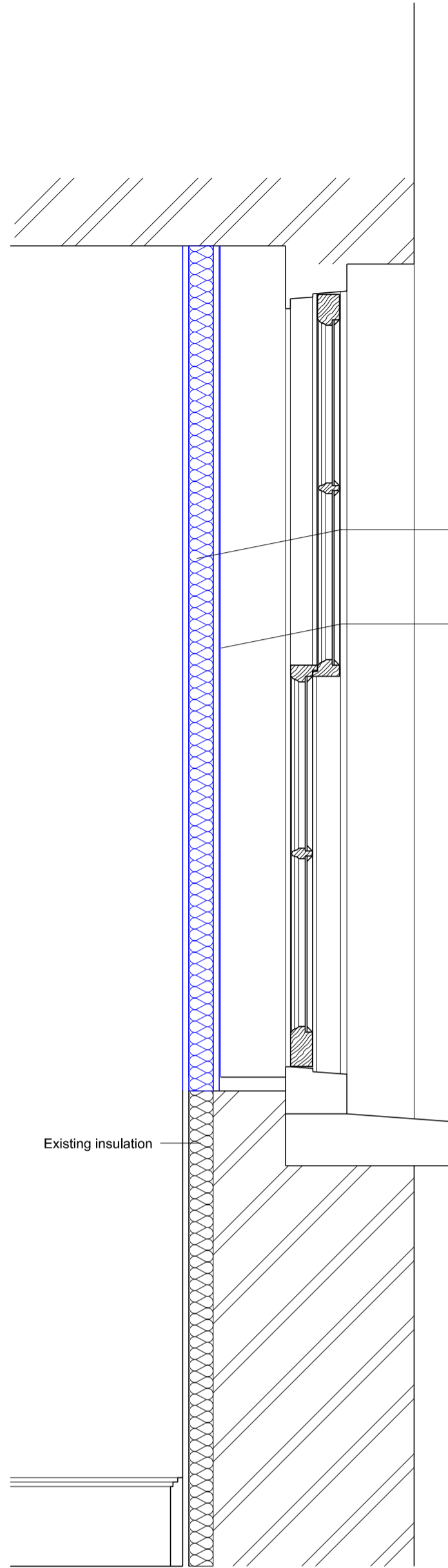


1 Elevation of G7/W2 as proposed.
SCALE 1:10

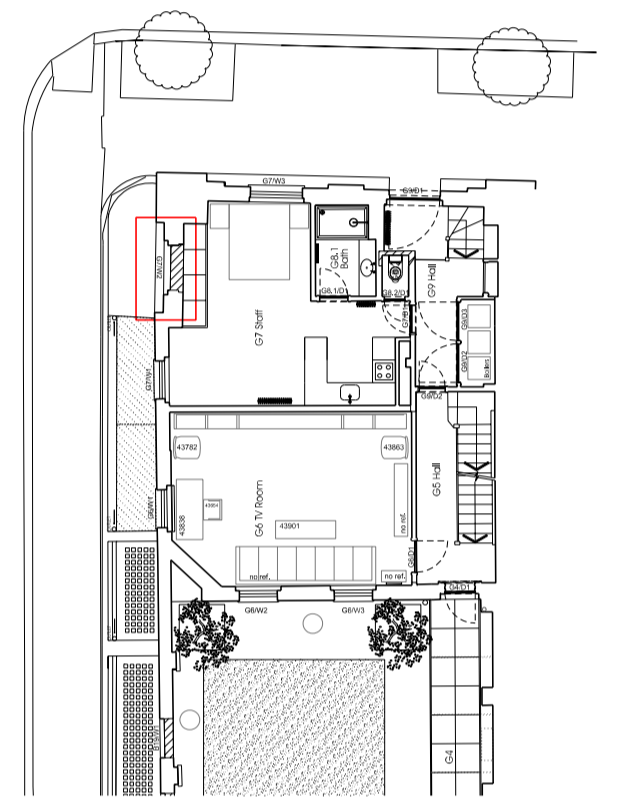


2 Section cut through G7/W2 as proposed.
SCALE 1:10

BLOOMSBURY STREET

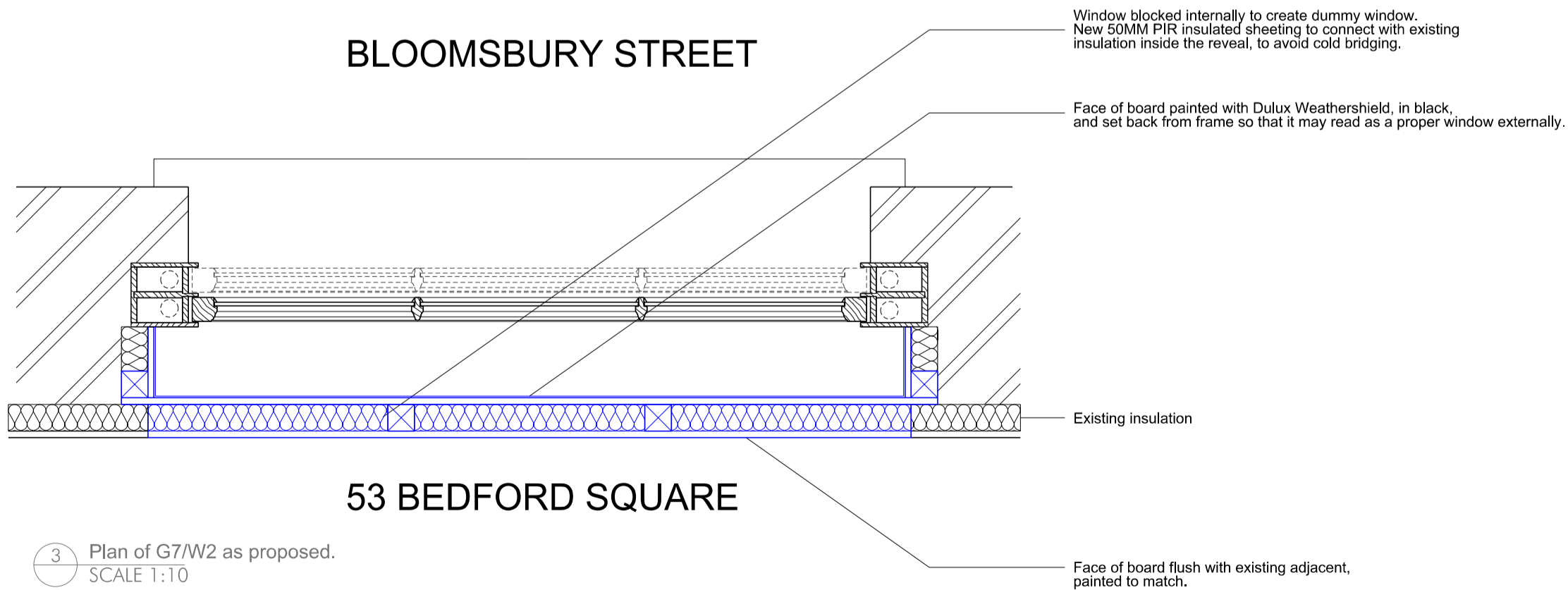
Window blocked internally to create dummy window.
New 50MM PIR insulated sheeting to connect with existing insulation inside the reveal, to avoid cold bridging.

Face of board painted with Dulux Weathershield, in black, and set back from frame so that it may read as a proper window externally.



G7/W2 NOTES

- Window reveal is flush with ceiling.



3 Plan of G7/W2 as proposed.
SCALE 1:10

Window blocked internally to create dummy window.
New 50MM PIR insulated sheeting to connect with existing insulation inside the reveal, to avoid cold bridging.

Face of board painted with Dulux Weathershield, in black, and set back from frame so that it may read as a proper window externally.

Existing insulation

Face of board flush with existing adjacent, painted to match.

Proposed

DATE	REVISION	COMMENT	AUTHOR	PI
13/07/15	-	PLANNING APPLICATION - G7/W2 RETAINED BUT BLOCKED INTERNALLY	DC	PI

53 BEDFORD SQUARE

TITLE
G7/W2 proposed
Blocking up of window internally

DWG NO 53BS M SK 153 SCALE 1:10@A2
DATE JUL 2015

H:\53 Bedford Square\Sketches\71. 53BS SK 153 - G7 W2 blocking up\53BS SK 153 - G7 W2 blocking up.dwg
PETER INSKIP + PETER JENKINS ARCHITECTS LTD
19 - 23 WHITE LION STREET LONDON N1 9PD
TELEPHONE 020 78334002 FAX 020 72785343