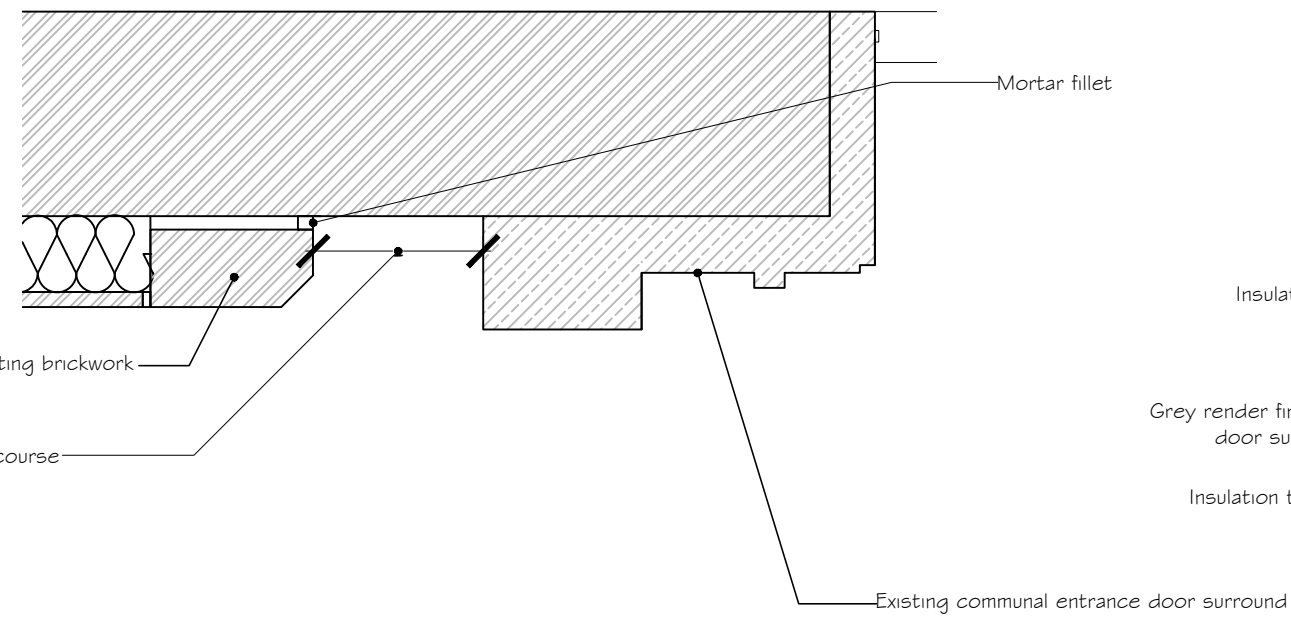
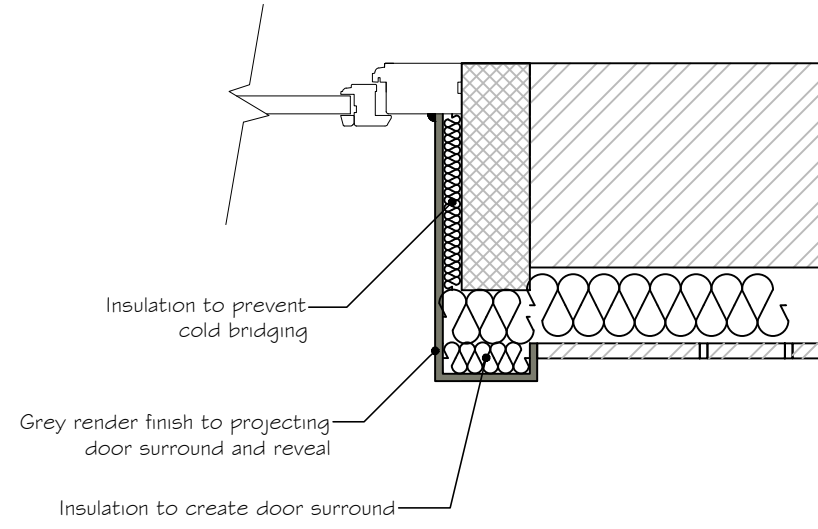


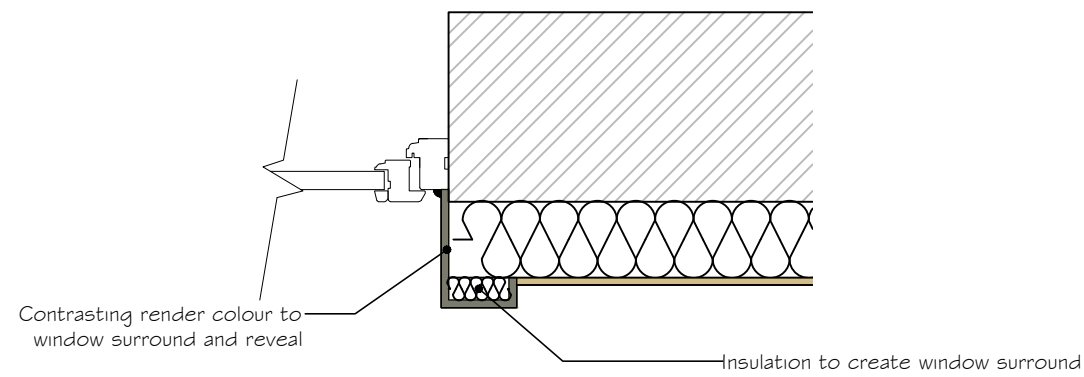
DO3_A - ENTRANCE SIDE ABUTMENT



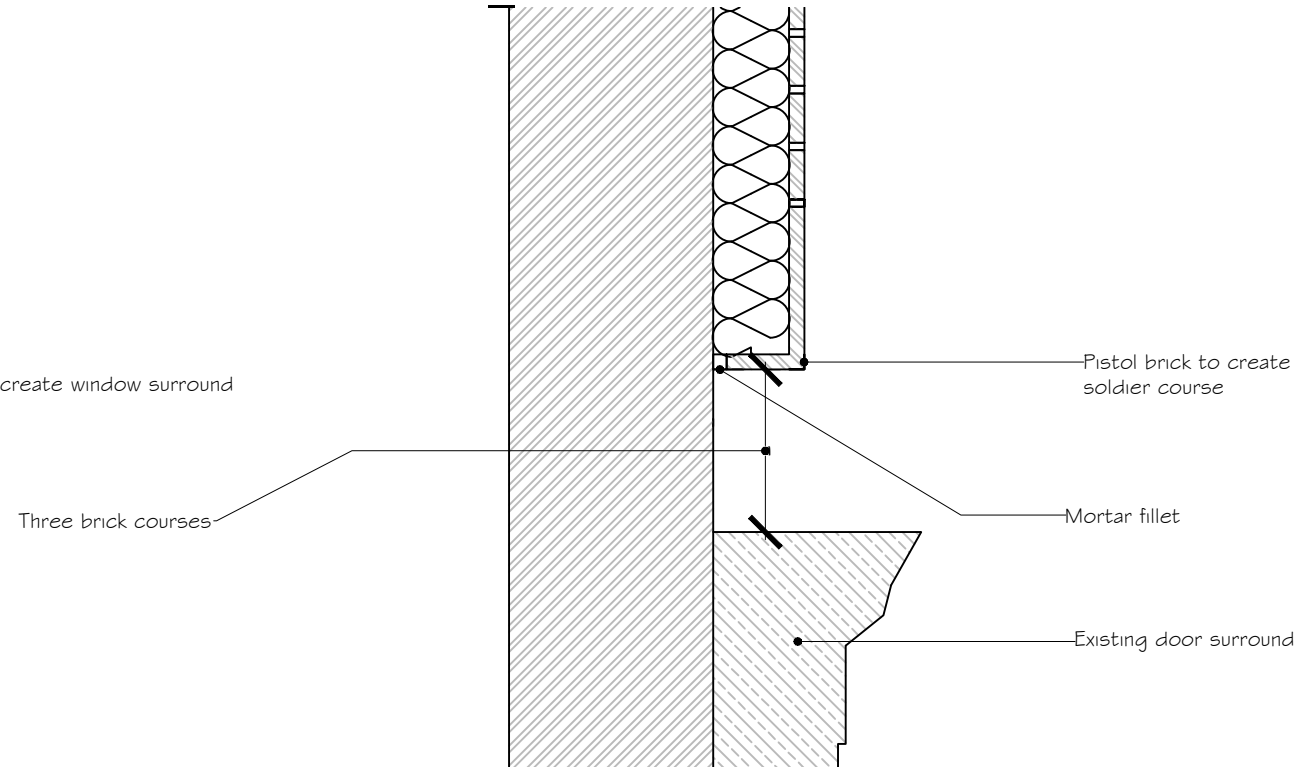
DO3_B - DOOR SURROUND



DO3_C - WINDOW SURROUND



DO3_D - ENTRANCE TOP ABUTMENT



- This drawing is for planning purposes only.
 - All dimensions to be verified on site.
 - To be read in conjunction with specialist supplier's details and specifications.
 - Any discrepancies are to be notified to pod LLP immediately.
 - This document is copyright of pod LLP.

Archetype 3 - Proposed Details
 Scale 1:10 & 1:20 @ A-3

Ref:1325/PS/HE/D/03

1-9 Gillies House
 Hilgrove Estate
 London
 NW6 4TJ



Client: Lakehouse



Drawn by: SF
 Date: May 2015

pod LLP
 Unit 313
 Metal Box Factory
 30 Great Guildford Street
 London
 SE1 0HS



Tel: 020 3176 5590
 Mob: 07808 037 998
 Email: simon@podpartnership.com
 Web: www.podpartnership.com