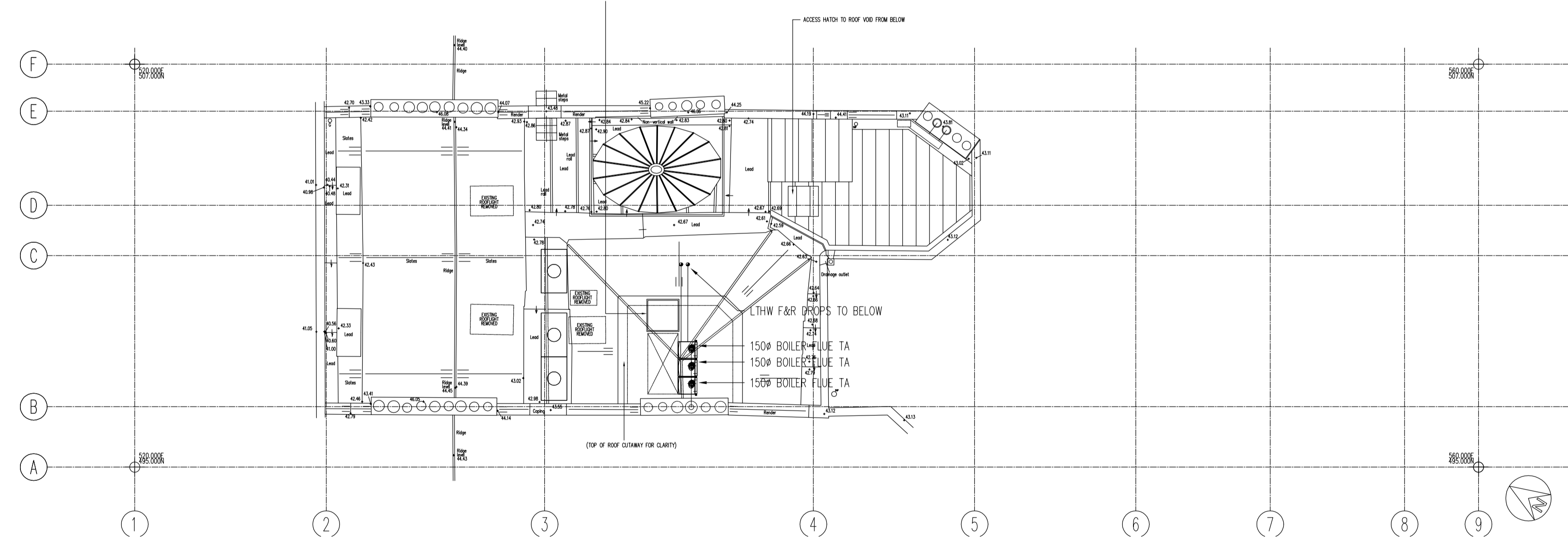
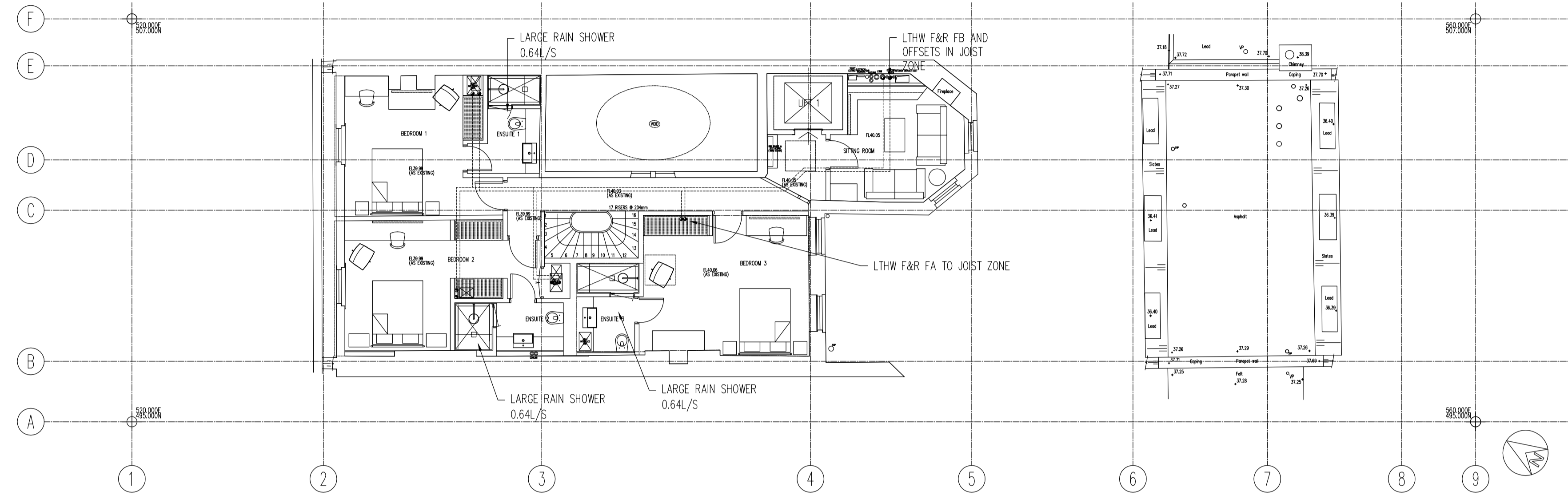


- NOTES:**
1. The drawing does not necessarily show all the information needed to interpret the design intent or the construction details.
 2. The drawing contains information from more than one source and must be read in conjunction with all relevant specifications.
 3. Any apparent drafting errors and differences between other drawings and specifications shall be brought to our attention.
 4. Xref Reference - BDP Dwg No. P2005698(15)AP026_Rev D
BDP Dwg No. P2005698(15)AP027_Rev C



B	XREF UPDATED	TS	TW	JUN'15
A	PLANNING ISSUE	PC	MJ	AUG 13
P3	UF HTG MANIFOLD ADDED	PC	MJ	JUNE 13
P2	STAGE C	PC	MJ	JUNE 13

Index	Description	Drawn & Chk by	Rev'd by	Date
-------	-------------	----------------	----------	------

Revisions

Architect
BDP.

Client

PLANNING

HOARE LEA

BIRMINGHAM
BRISTOL
CAMBRIDGE
CARDIFF
ISLE of MAN
LEEDS
LONDON
MANCHESTER
OXFORD
PLYMOUTH
POOLE

www.hoarelea.com

Project Title
**42 BEDFORD SQUARE
LONDON**

Drawing Title
**Option 2
Decentralised Plant
Instantaneous Water Heating Option
Third and Fourth Floor Level**

Project No	Drawn & Checked by	Reviewed by
26/01045	PC	MJ
Date	Scale	Issuing Office
May 13	1:100@ A1	Cambridge

DRAWING NUMBER

Project Code	Orig.	Zone	Level	Type	Role	Class.	Number	Rev.
2601045	HL	XX	03	SK	M	500	0005	B