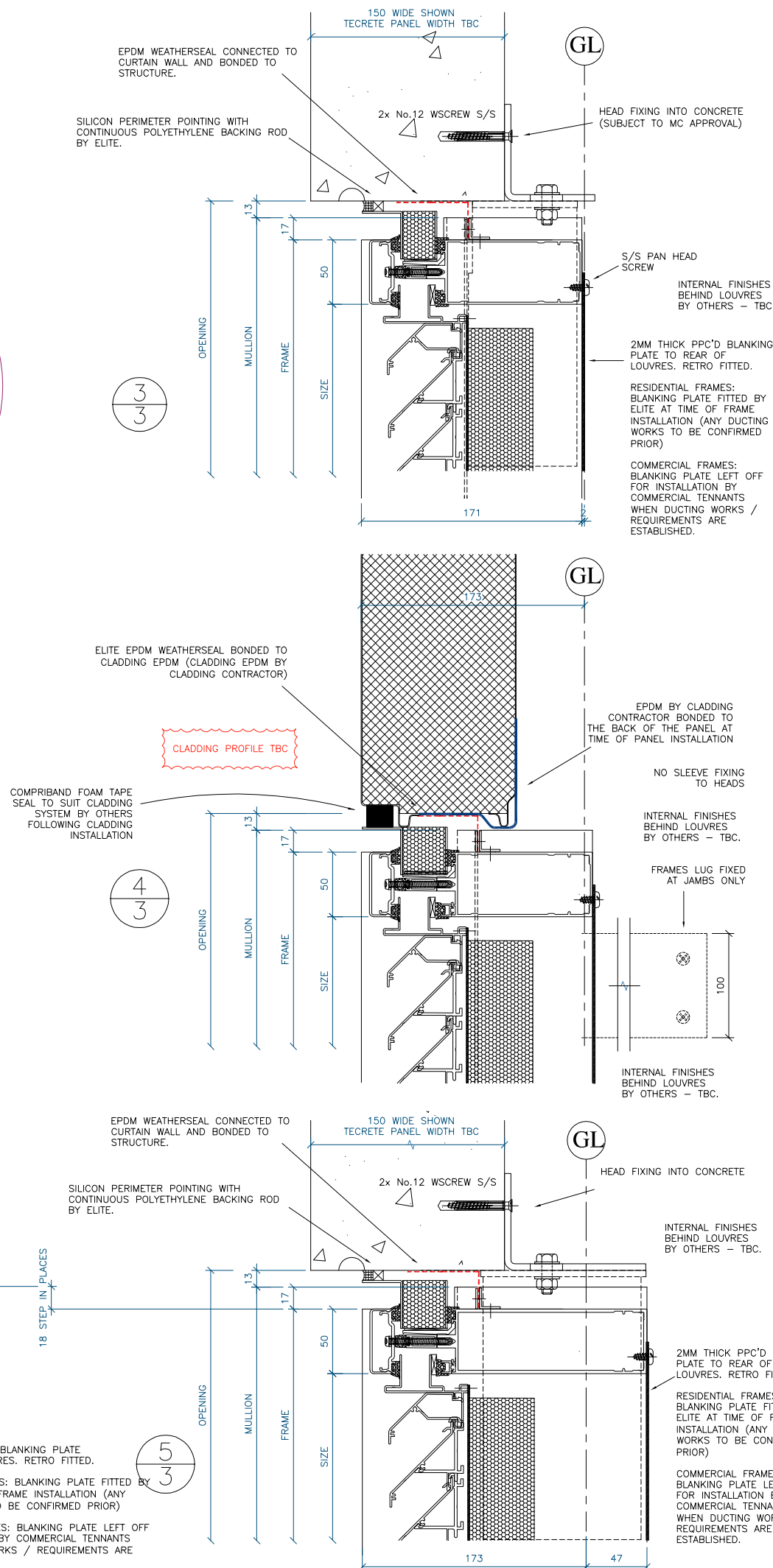
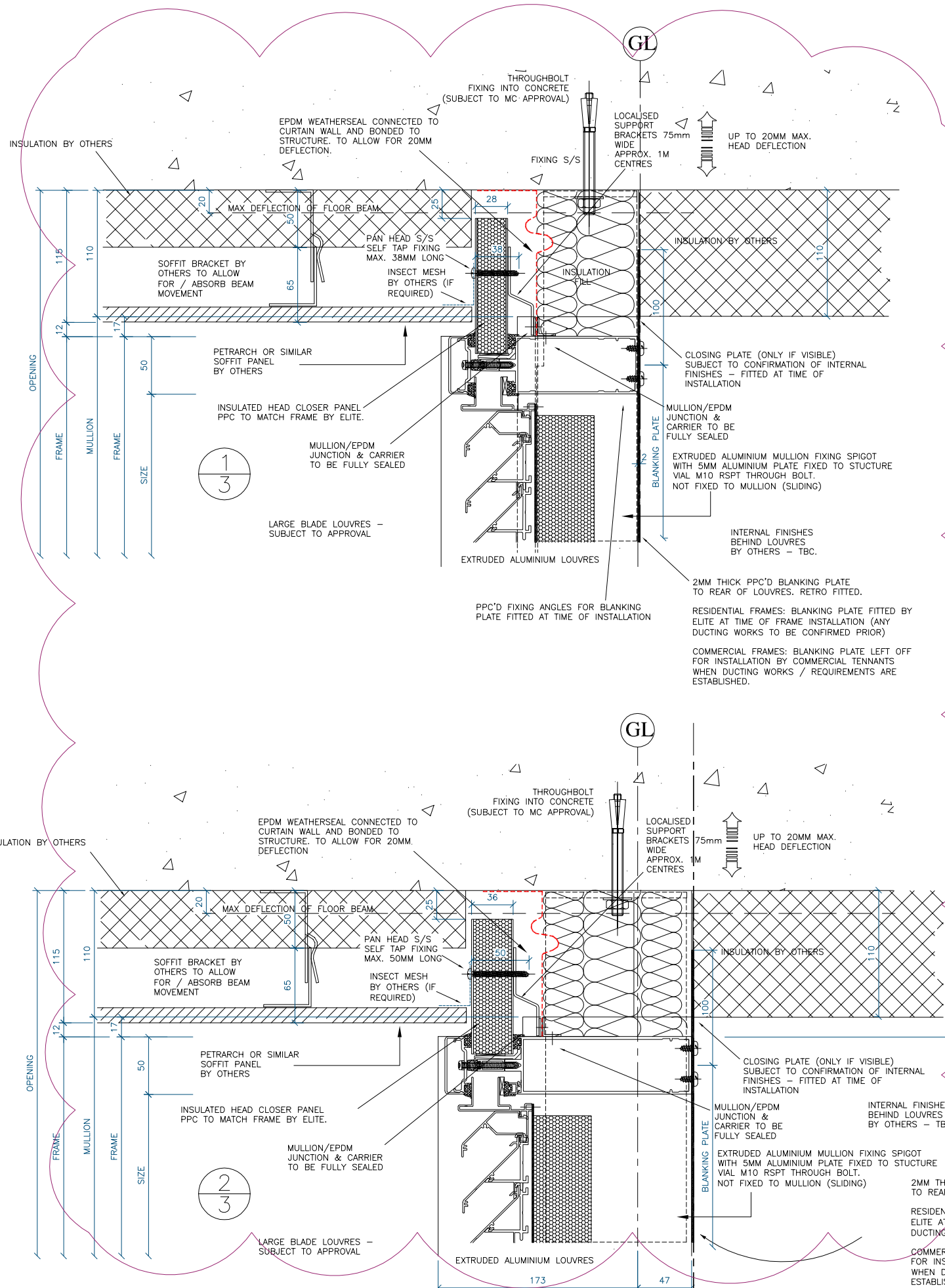


HEAD DETAILS



DRAWING KEY:

DETAIL NUMBER:

DRAWING NUMBER:

GENERAL NOTES:

MANUFACTURE, INSTALLATION & GENERAL PRACTICE (APPLIES TO ITEMS SUPPLIED BY ELITE ONLY).

- PERIMETER OF ELITE FRAMES TO BE EXTERNALLY SEALED TO SURROUNDING STRUCTURE.
- ALL ELITE DOOR THRESHOLDS TO BE BEDDED ON MASTIC SEAL.
- ALL EXTERNAL / EXPOSED METAL TO METAL JOINTS ON THE ELITE FRAMEWORK & ELITE PRESSINGS TO BE FULLY SEALED.
- ELITE FRAMEWORK - ALL CURTAIN WALL TRANSOMS > 1200MM REQUIRE SHEARBLOCKS.
- ELITE FRAMEWORK - CURTAIN WALL TRANSOMS THAT CARRY HEAVY LOADS REQUIRE SHEARBLOCKS.
- ELITE FRAMEWORK - ALL THROUGH THE FRAME DIRECT FIXINGS TO BE FULLY SEALED.

THE FOLLOWING WORKS ARE BY OTHERS (NOT BY ELITE) :-

- ANY STRUCTURAL MEMBERS REQUIRED TO SECURE / SUPPORT THE ELITE FRAMEWORK.
- ANY INTERNAL FINISHES (IE, PLASTER FINISH, CILL BOARDS, CEILINGS, ARCHITRAVE, ETC.)
- ANY INTERNAL SEALS (IE, BETWEEN FRAME AND STRUCTURE / FINISHES, ETC.) - THESE ARE TO BE APPLIED AS PART OF INTERNAL WORKS.
- ANY CAVITY CLOSERS, CAVITY TRAYS, VAPOUR CONTROL LAYERS, BREATHER MEMBRANES, CEMENT BOARDS, INSECT MESH, DPC, DPM, AIR SEALS & FIRE STOPPING ELEMENTS.
- ANY INSULATION (UNLESS STATED OTHERWISE).
- ANY ALUMINIUM FLASHINGS (UNLESS STATED OTHERWISE).
- ANY ELEMENTS THAT FORM THE BUILDING ENVELOPE (EXCLUDING THE ITEMS OUTLINED IN ELITE'S ACCEPTED QUOTATION).
- ANY INTERNAL STRUCTURE (IE, INTERNAL WALLS, ETC.)

PLEASE NOTE :-

- ANY DETAILS SHOWING WORKS THAT ARE BEING PROVIDED BY OTHERS / NOT BY ELITE (SUCH AS THE INTERNAL WORKS) ARE INDICATIVE AND MAY VARY. DETAILS FOR THESE WORKS ARE TO BE SUPPLIED SEPARATELY BY THE RELEVANT SPECIALIST CONTRACTOR RESPONSIBLE FOR THE WORK.
- CAVITY CLOSERS SHOWN ARE INDICATIVE ONLY. CAVITY CLOSER DESIGN / DETAIL MAY VARY FROM SHOWN.
- ALL GASKETS TO BE IN ACCORDANCE WITH THE SYSTEM SUPPLIERS RECOMMENDATIONS. NOTE: FRAME GASKETS SHOWN ARE INDICATIVE ONLY. ALTERNATIVE GASKETS (IN ACCORDANCE WITH SUPPLIERS RECOMMENDATIONS) MAY BE USED, WHICH MAY DIFFER FROM THAT SHOWN.

FOR FINAL APPROVAL

THIS DRAWING IS CONFIDENTIAL AND IS COPYRIGHT PROPERTY OF THE COMPANY. IT MUST NOT BE DISCLOSED, LOANED OR COPIED WITHOUT WRITTEN PERMISSION.

DO NOT SCALE

DRAWING PLOT DATE : 20/01/2015

| REV | BY | DATE | DESCRIPTION |
|-----|----|--------|--|
| E | LR | Jan-15 | DETAIL 1 & 2 DEVELOPED, SUPPORT BRACKETS ADDED, PANEL FIXINGS SHOWN, REAR PLATES REVISED |
| D | LR | Jan-15 | DETAIL 4 UPDATED - TBA TECCRETE PANEL WIDTH - TBA |
| C | LR | Jan-15 | NOTES UPDATED |
| B | LR | Jan-15 | UPDATED AS PER COMMENTS |
| A | LR | JAN-15 | FULL DRAWING UPDATE - DETAILS UPDATED TO SUIT DRAWINGS RECEIVED DRAWING NOW SHOWS HEAD DETAILS |

Elite Aluminium Systems Ltd

LEAMORE LANE, WALSALL
WEST MIDLANDS, WS2 7DQ.
TEL: 01922 444443 FAX: 01922 710837
EMAIL: general@elitesystems.co.uk

CONTRACT:
Maiden Lane
Camden
London

MAIN CONTRACTOR:
John Sisk & Sons Ltd

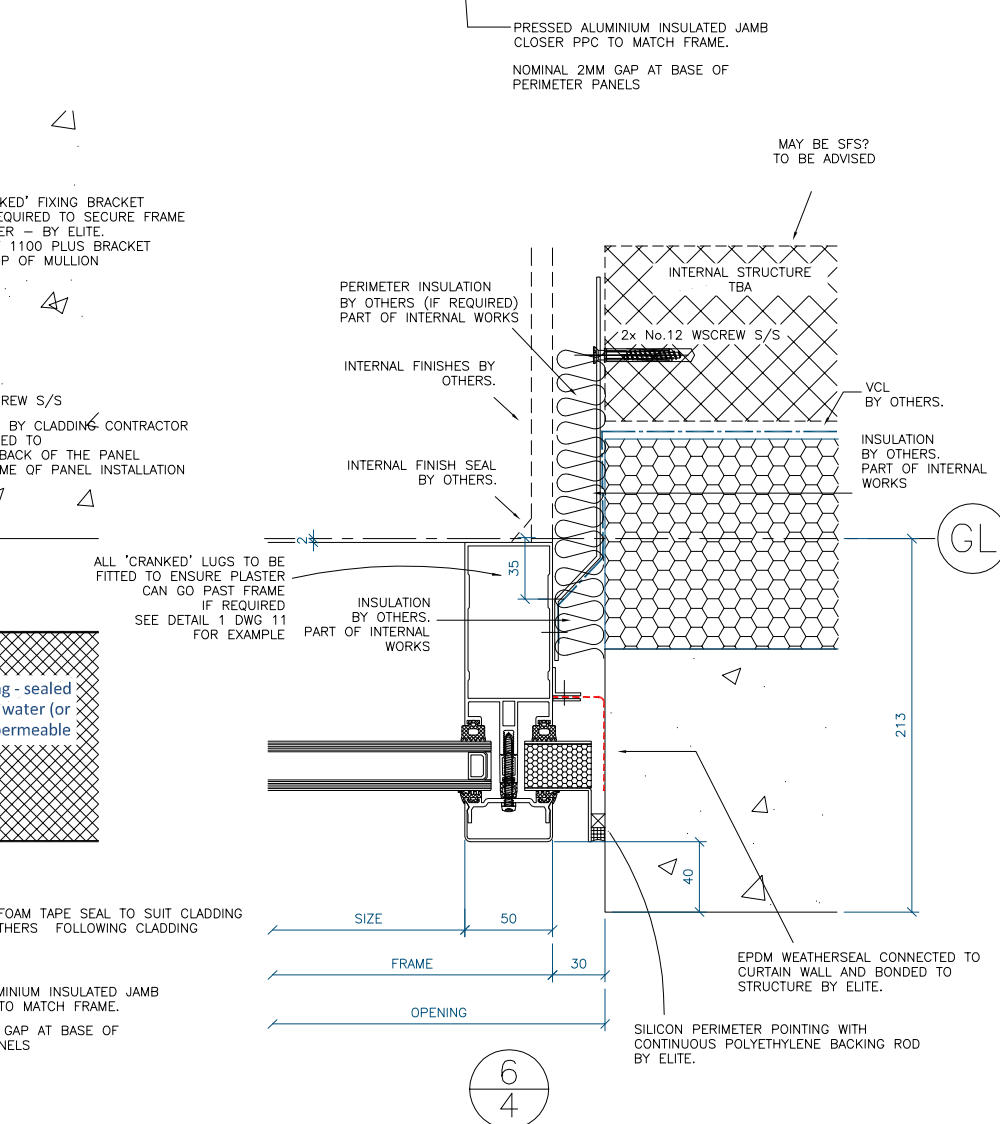
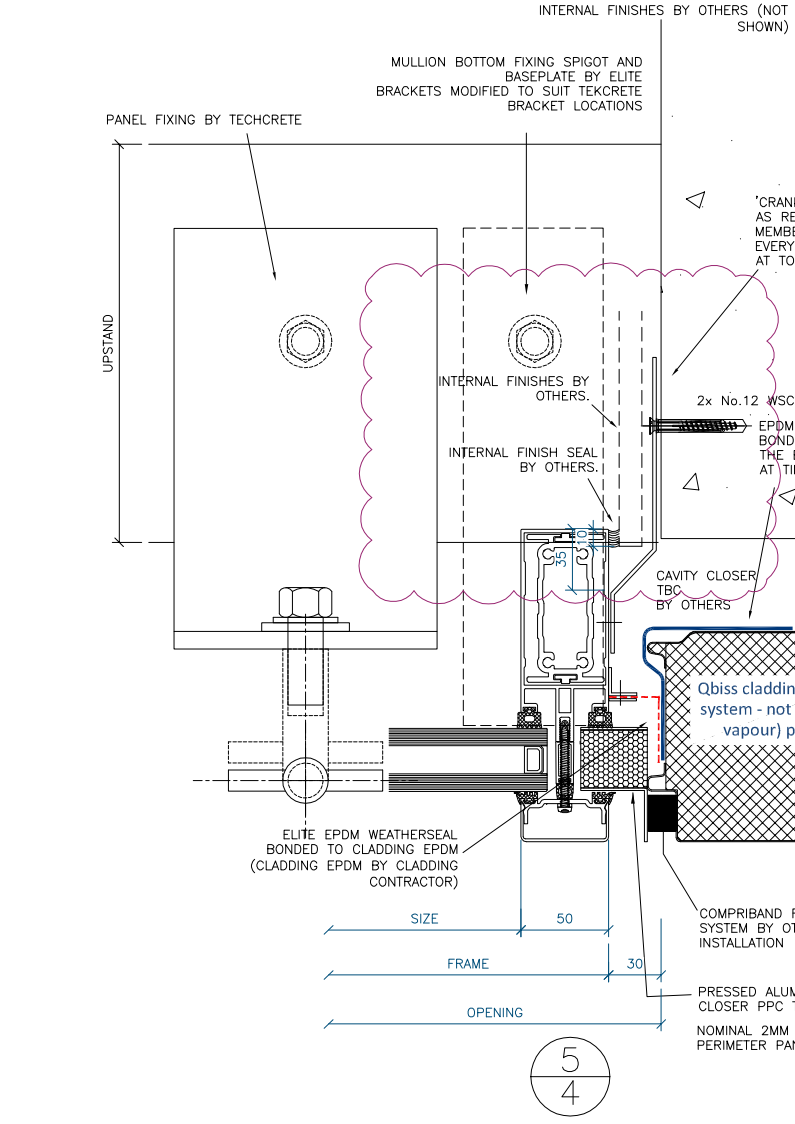
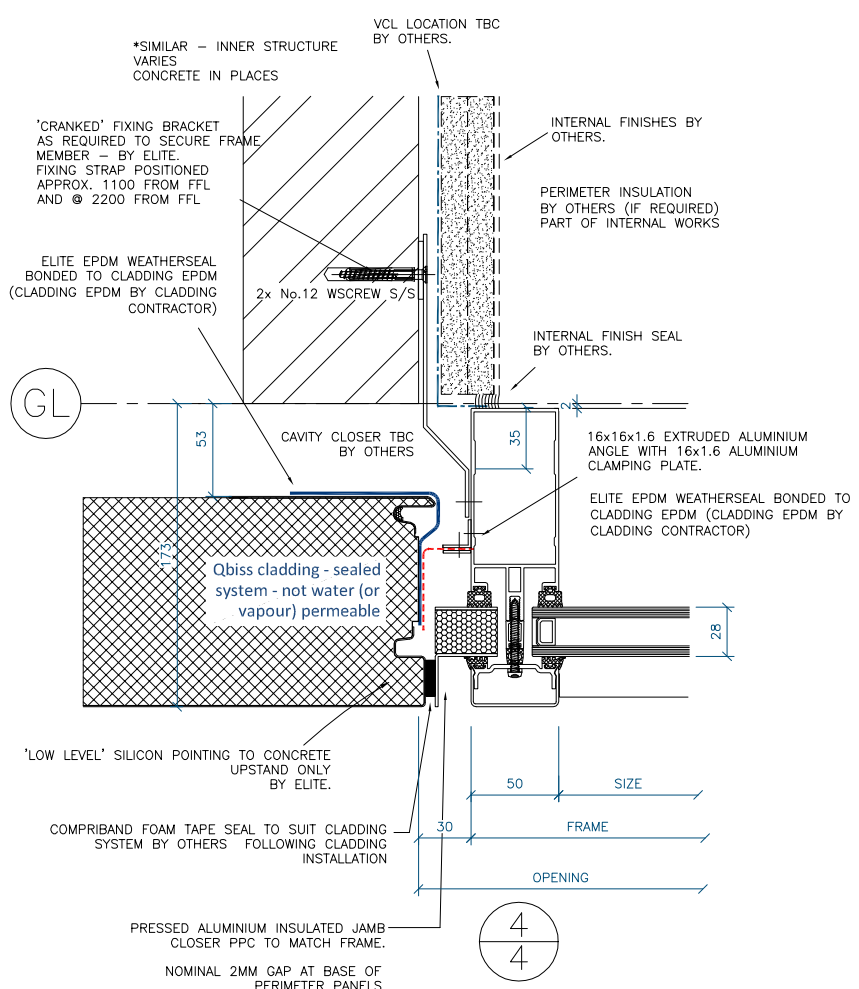
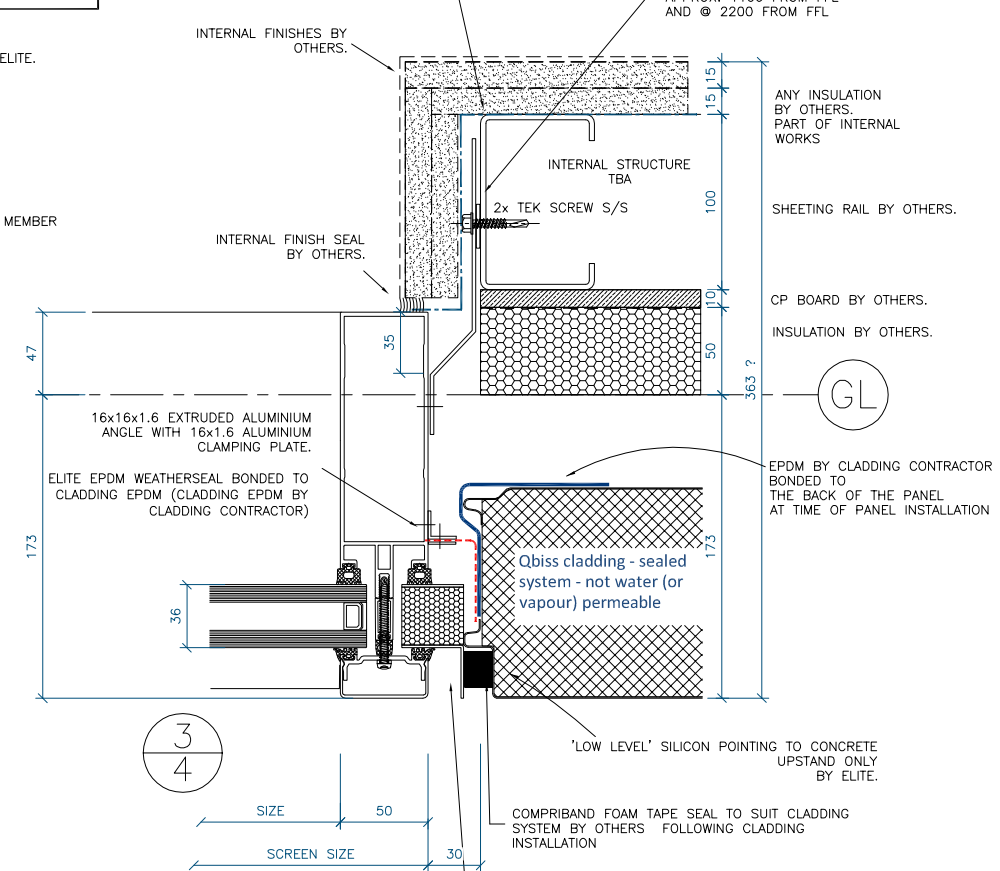
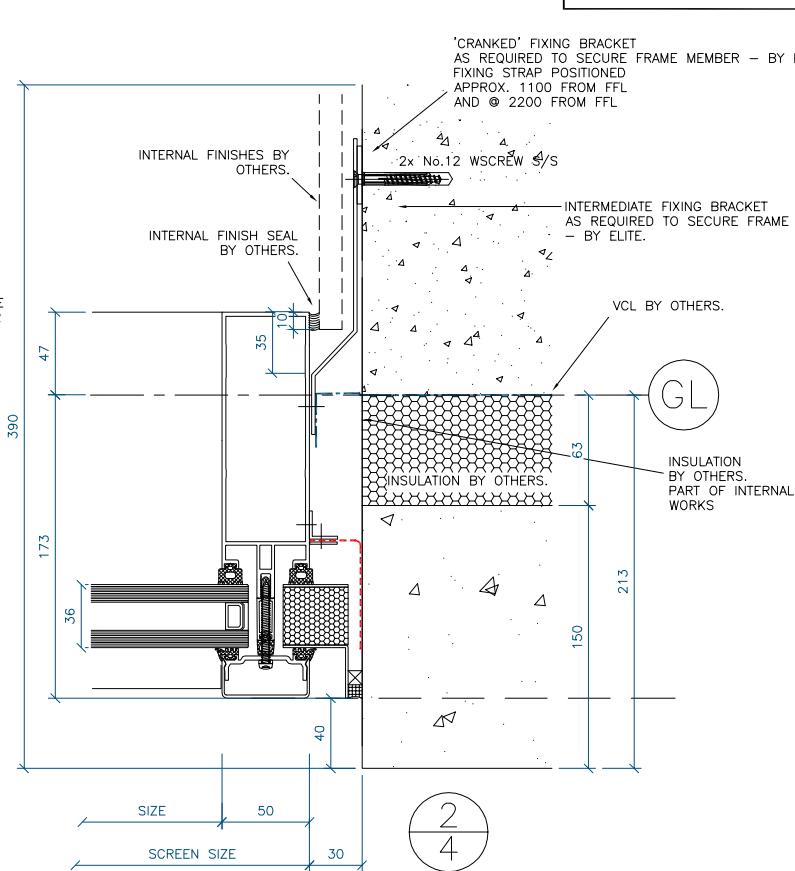
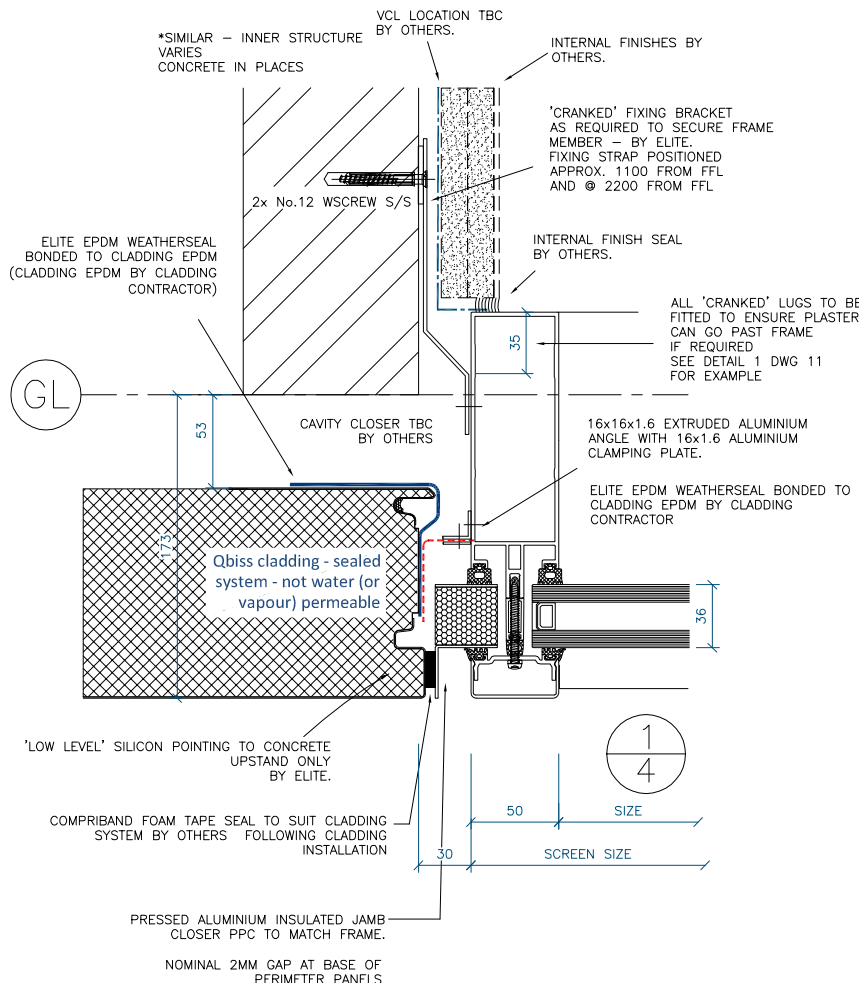
TITLE: Sectional Details

DRAWN: CA
DATE: Nov' 14
SCALE: 1:2 @ A1

DRAWING NO:
C6226-EAS
-003E

JAMB DETAILS

ANTICIPATED INTERNAL WORKS SHOWN
ALL INTERNAL FINISHES SHOWN ARE
INDICATIVE.
INTERNAL CONTRACTOR TO DETAIL.



DRAWING KEY:

DETAIL NUMBER
DRAWING NUMBER

GENERAL NOTES:

- MANUFACTURE, INSTALLATION & GENERAL PRACTICE (APPLIES TO ITEMS SUPPLIED BY ELITE ONLY).
- PERIMETER OF ELITE FRAMES TO BE EXTERNALLY SEALED TO SURROUNDING STRUCTURE.
 - ALL ELITE DOOR THRESHOLDS TO BE BEDDED ON MASTIC SEAL.
 - ALL EXTERNAL / EXPOSED METAL TO METAL JOINTS ON THE ELITE FRAMEWORK & ELITE PRESSINGS TO BE FULLY SEALED.
 - ELITE FRAMEWORK - ALL CURTAIN WALL TRANSOMS > 1200MM REQUIRE SHEARBLOCKS.
 - ELITE FRAMEWORK - CURTAIN WALL TRANSOMS THAT CARRY HEAVY LOADS REQUIRE SHEARBLOCKS.
 - ELITE FRAMEWORK - ALL THROUGH THE FRAME DIRECT FIXINGS TO BE FULLY SEALED.
- THE FOLLOWING WORKS ARE BY OTHERS (NOT BY ELITE) :-
- ANY STRUCTURAL MEMBERS REQUIRED TO SECURE / SUPPORT THE ELITE FRAMEWORK.
 - ANY INTERNAL FINISHES (IE, PLASTER FINISH, CILL BOARDS, CEILINGS, ARCHITRAVE, ETC.)
 - ANY INTERNAL SEALS (IE, BETWEEN FRAME AND STRUCTURE / FINISHES, ETC.) - THESE ARE TO BE APPLIED AS PART OF INTERNAL WORKS.
 - ANY CAVITY CLOSERS, CAVITY TRAYS, VAPOUR CONTROL LAYERS, BREATHER MEMBRANES, CEMENT BOARDS, INSECT MESH, DPC, DPM, AIR SEALS & FIRE STOPPING ELEMENTS.
 - ANY INSULATION (UNLESS STATED OTHERWISE).
 - ANY ALUMINIUM FLASHINGS (UNLESS STATED OTHERWISE).
 - ANY ELEMENTS THAT FORM THE BUILDING ENVELOPE (EXCLUDING THE ITEMS OUTLINED IN ELITE'S ACCEPTED QUOTATION).
 - ANY INTERNAL STRUCTURE (IE, INTERNAL WALLS, ETC.)

- PLEASE NOTE :-
- ANY DETAILS SHOWING WORKS THAT ARE BEING PROVIDED BY OTHERS / NOT BY ELITE (SUCH AS THE INTERNAL WORKS) ARE INDICATIVE AND MAY VARY. DETAILS FOR THESE WORKS ARE TO BE SUPPLIED SEPARATELY BY THE RELEVANT SPECIALIST CONTRACTOR RESPONSIBLE FOR THE WORK.
 - CAVITY CLOSERS SHOWN ARE INDICATIVE ONLY. CAVITY CLOSER DESIGN / DETAIL MAY VARY FROM SHOWN.
 - ALL GASKETS TO BE IN ACCORDANCE WITH THE SYSTEM SUPPLIERS RECOMMENDATIONS. NOTE: FRAME GASKETS SHOWN ARE INDICATIVE ONLY. ALTERNATIVE GASKETS (IN ACCORDANCE WITH SUPPLIERS RECOMMENDATIONS) MAY BE USED, WHICH MAY DIFFER FROM THAT SHOWN.

FOR FINAL APPROVAL

THIS DRAWING IS CONFIDENTIAL AND IS COPYRIGHT PROPERTY OF THE COMPANY. IT MUST NOT BE DISCLOSED, LOANED OR COPIED WITHOUT WRITTEN PERMISSION.

DO NOT SCALE

DRAWING PLOT DATE : 16/01/2015

| REV | BY | DATE | DESCRIPTION |
|-----|----|--------|--|
| C | LR | Jan-15 | INTERNAL FINISH ADDED DETAIL 5 |
| B | LR | Jan-15 | DETAIL 4 CORRECTED UPDATED AS PER COMMENTS |
| A | LR | JAN-15 | FULL DRAWING UPDATE - DETAILS UPDATED TO SUIT DRAWINGS RECEIVED DRAWING NOW SHOWS JAMB DETAILS |

Elite Aluminium Systems Ltd
LEAMORE LANE, WALSALL
WEST MIDLANDS, WS2 7DQ.
TEL: 01922 444443 FAX: 01922 710837
EMAIL: general@elitesystems.co.uk

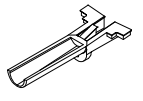
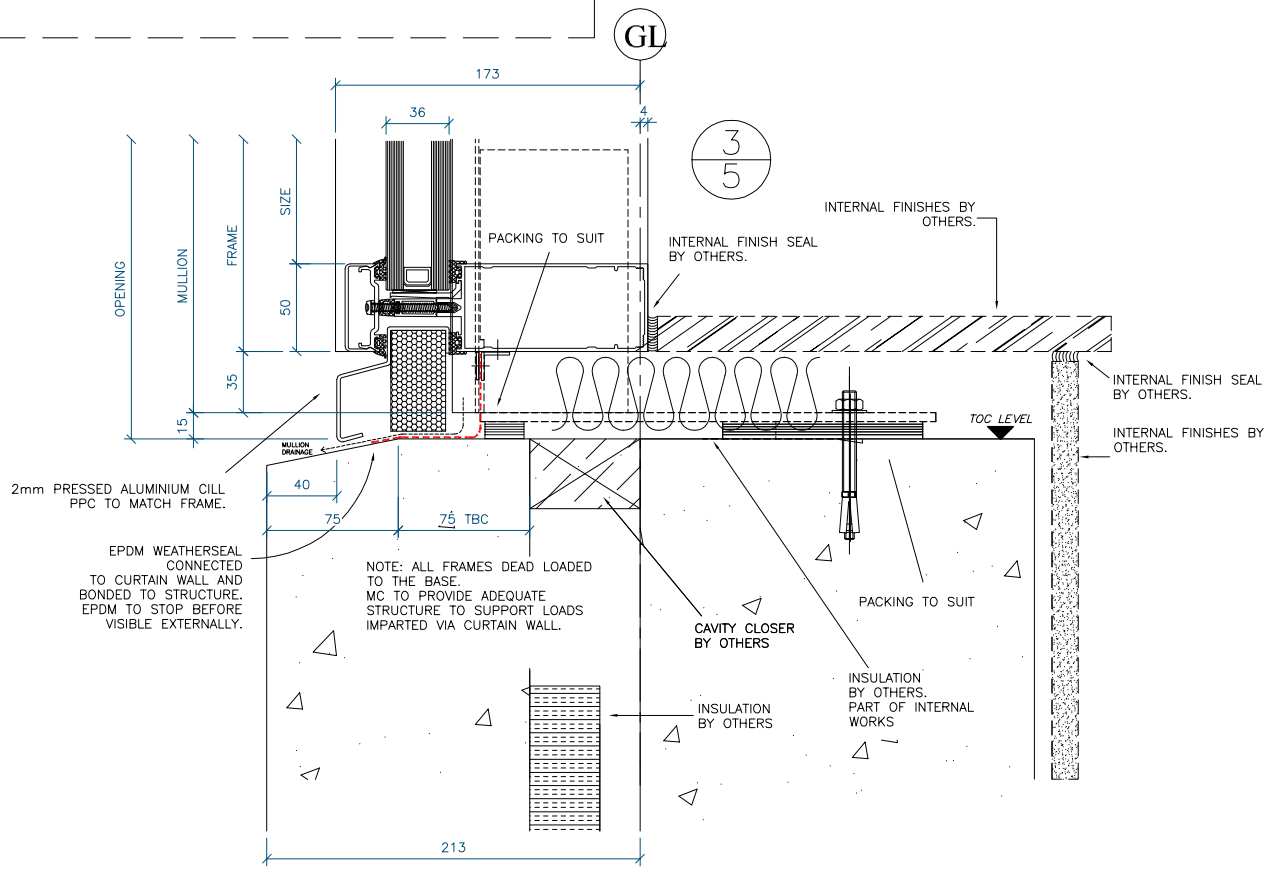
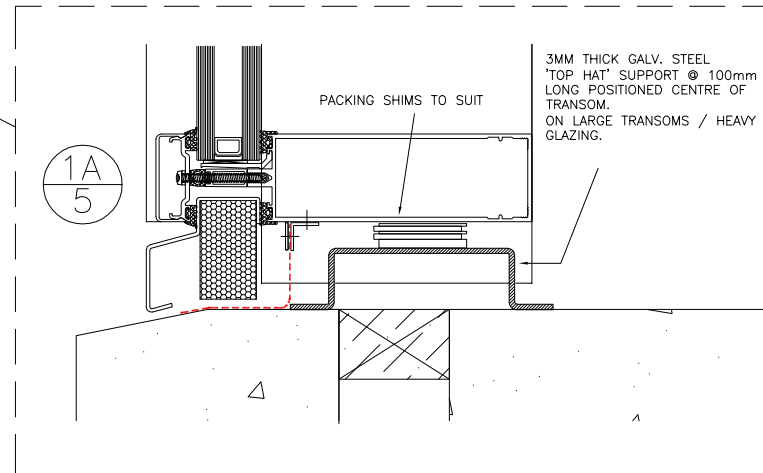
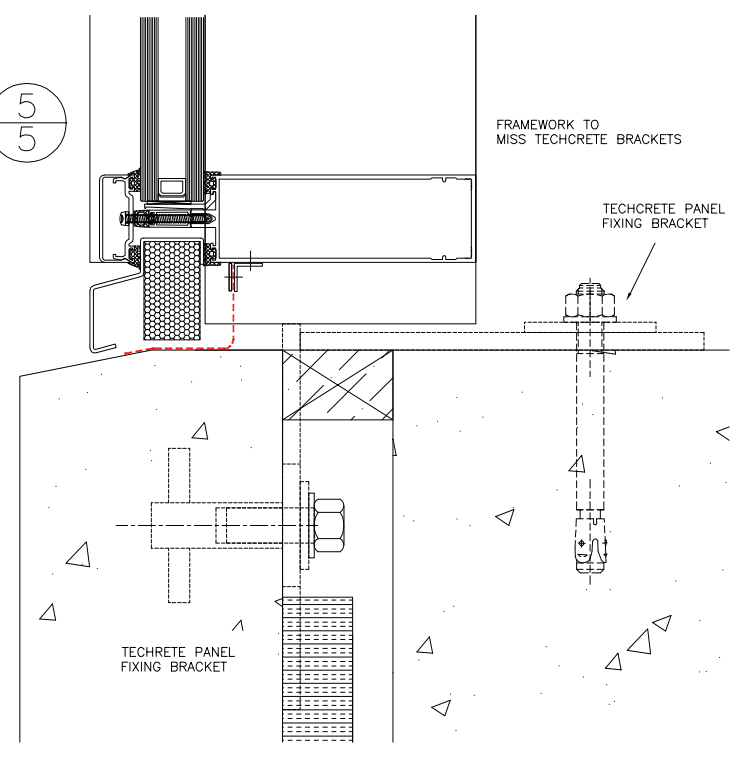
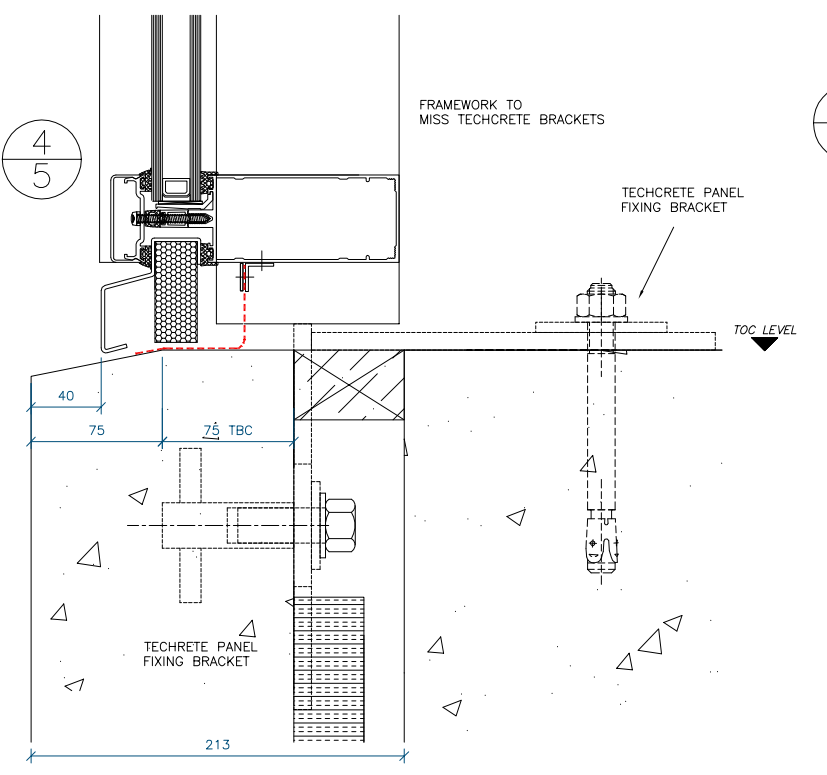
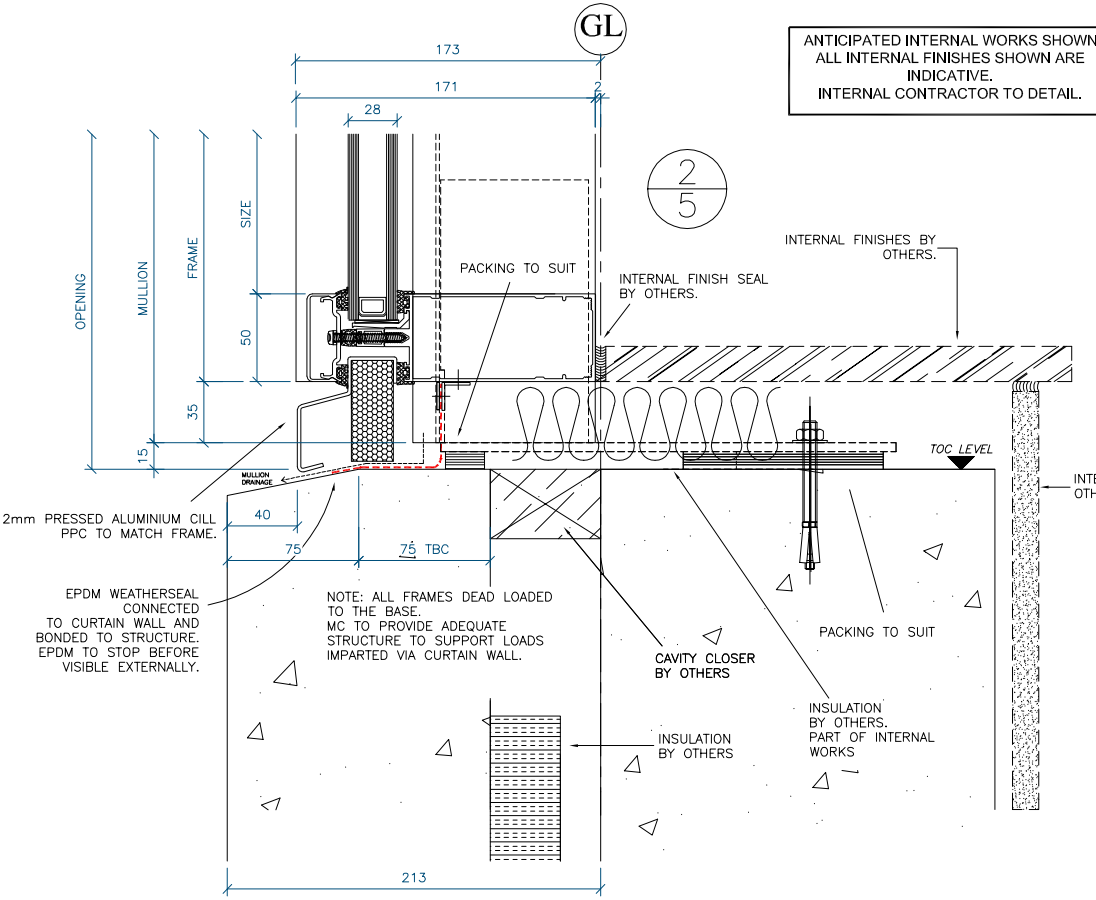
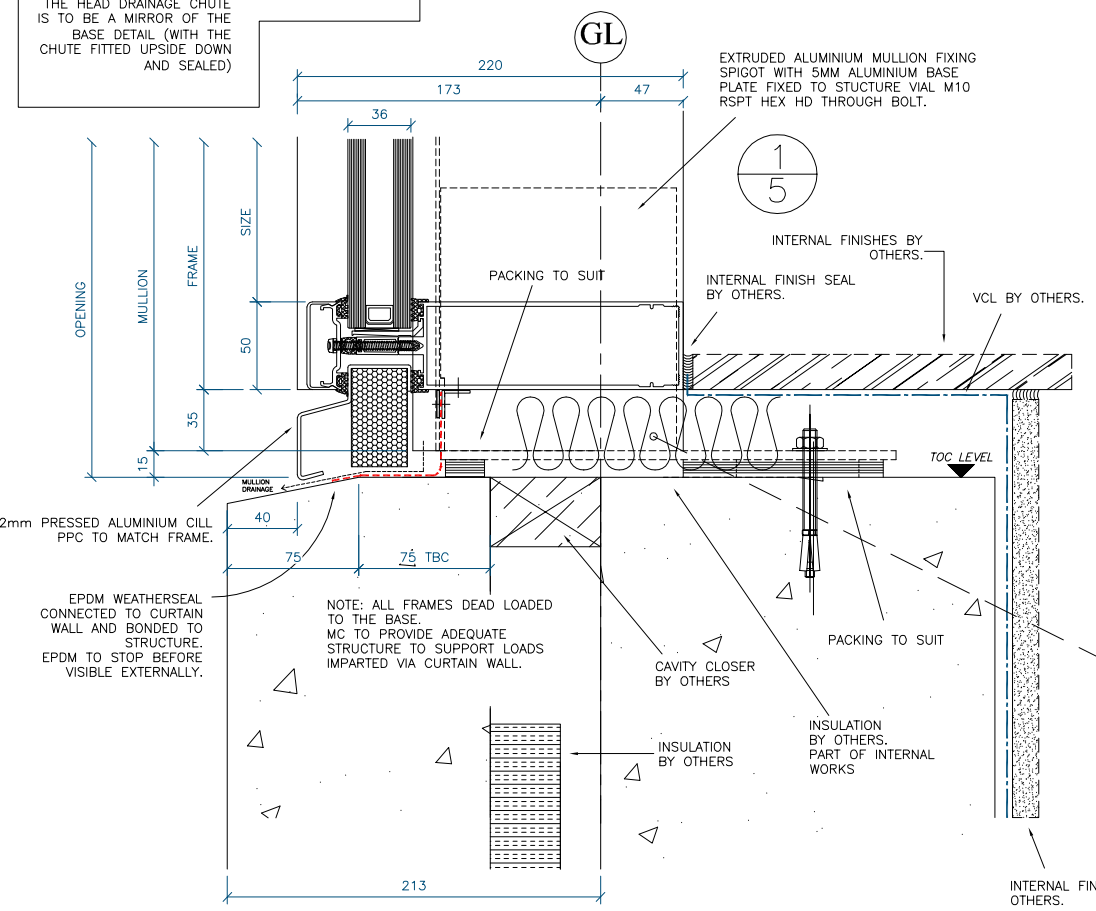
CONTRACT:
Maiden Lane
Camden
London

MAIN CONTRACTOR:
John Sisk & Sons Ltd

TITLE: Sectional Details
DRAWN: CA
DATE: Nov 14
SCALE: 1:2 @ A1
DRAWING NO: C6226-EAS
-004C

CILL DETAILS

DRAIN CHUTES PLACED & SEALED WITHIN THE EACH MULLION CHAMBER AT THE HEAD FOR PRESSURE EQUALISATION AND BASE FOR DRAINAGE. THE HEAD DRAINAGE CHUTE IS TO BE A MIRROR OF THE BASE DETAIL (WITH THE CHUTE FITTED UPSIDE DOWN AND SEALED)

ANTICIPATED INTERNAL WORKS SHOWN ALL INTERNAL FINISHES SHOWN ARE INDICATIVE. INTERNAL CONTRACTOR TO DETAIL.

DRAWING KEY:

DETAIL NUMBER

DRAWING NUMBER

GENERAL NOTES:

MANUFACTURE, INSTALLATION & GENERAL PRACTICE (APPLIES TO ITEMS SUPPLIED BY ELITE ONLY).

- PERIMETER OF ELITE FRAMES TO BE EXTERNALLY SEALED TO SURROUNDING STRUCTURE.
- ALL ELITE DOOR THRESHOLDS TO BE BEDDED ON MASTIC SEAL.
- ALL EXTERNAL / EXPOSED METAL TO METAL JOINTS ON THE ELITE FRAMEWORK & ELITE PRESSINGS TO BE FULLY SEALED.
- ELITE FRAMEWORK - ALL CURTAIN WALL TRANSOMS > 1200MM REQUIRE SHEARBLOCKS.
- ELITE FRAMEWORK - CURTAIN WALL TRANSOMS THAT CARRY HEAVY LOADS REQUIRE SHEARBLOCKS.
- ELITE FRAMEWORK - ALL THROUGH THE FRAME DIRECT FIXINGS TO BE FULLY SEALED.

THE FOLLOWING WORKS ARE BY OTHERS (NOT BY ELITE) :-

- ANY STRUCTURAL MEMBERS REQUIRED TO SECURE / SUPPORT THE ELITE FRAMEWORK.
- ANY INTERNAL FINISHES (IE, PLASTER FINISH, CILL BOARDS, CEILINGS, ARCHITRAVE, ETC.)
- ANY INTERNAL SEALS (IE, BETWEEN FRAME AND STRUCTURE / FINISHES, ETC.) - THESE ARE TO BE APPLIED AS PART OF INTERNAL WORKS.
- ANY CAVITY CLOSERS, CAVITY TRAYS, VAPOUR CONTROL LAYERS, BREATHER MEMBRANES, CEMENT BOARDS, INSECT MESH, DPC, DPM, AIR SEALS & FIRE STOPPING ELEMENTS.
- ANY INSULATION (UNLESS STATED OTHERWISE).
- ANY ALUMINIUM FLASHINGS (UNLESS STATED OTHERWISE).
- ANY ELEMENTS THAT FORM THE BUILDING ENVELOPE (EXCLUDING THE ITEMS OUTLINED IN ELITE'S ACCEPTED QUOTATION).
- ANY INTERNAL STRUCTURE (IE, INTERNAL WALLS, ETC.)

PLEASE NOTE :-

- ANY DETAILS SHOWING WORKS THAT ARE BEING PROVIDED BY OTHERS / NOT BY ELITE (SUCH AS THE INTERNAL WORKS) ARE INDICATIVE AND MAY VARY. DETAILS FOR THESE WORKS ARE TO BE SUPPLIED SEPARATELY BY THE RELEVANT SPECIALIST CONTRACTOR RESPONSIBLE FOR THE WORK.
- CAVITY CLOSERS SHOWN ARE INDICATIVE ONLY. CAVITY CLOSER DESIGN / DETAIL MAY VARY FROM SHOWN.
- ALL GASKETS TO BE IN ACCORDANCE WITH THE SYSTEM SUPPLIERS RECOMMENDATIONS. NOTE: FRAME GASKETS SHOWN ARE INDICATIVE ONLY. ALTERNATIVE GASKETS (IN ACCORDANCE WITH SUPPLIERS RECOMMENDATIONS) MAY BE USED, WHICH MAY DIFFER FROM THAT SHOWN.

CONSTRUCTION

THIS DRAWING IS CONFIDENTIAL AND IS COPYRIGHT PROPERTY OF THE COMPANY. IT MUST NOT BE DISCLOSED, LOANED OR COPIED WITHOUT WRITTEN PERMISSION.

DO NOT SCALE

DRAWING PLOT DATE : 16/01/2015

| REV | BY | DATE | DESCRIPTION |
|-----|----|--------|--|
| C | LR | Jan-15 | CONSTRUCTION ISSUE FOLLOWING STATUS 'A'. DRAINAGE CHUTE NOTE ADDED. |
| B | LR | Jan-15 | DETAIL 1A ADDED |
| A | LR | JAN-15 | FULL DRAWING UPDATE - DETAILS UPDATED TO SUIT DRAWINGS RECEIVED. DRAWING NOW SHOWS CILL DETAILS. |

Elite Aluminium Systems Ltd

LEAMORE LANE, WALSALL
WEST MIDLANDS, WS2 7DQ.
TEL: 01922 444443 FAX: 01922 710837
EMAIL: general@elitesystems.co.uk

CONTRACT:

Maiden Lane
Camden
London

MAIN CONTRACTOR:

John Sisk & Sons Ltd

TITLE: Sectional Details

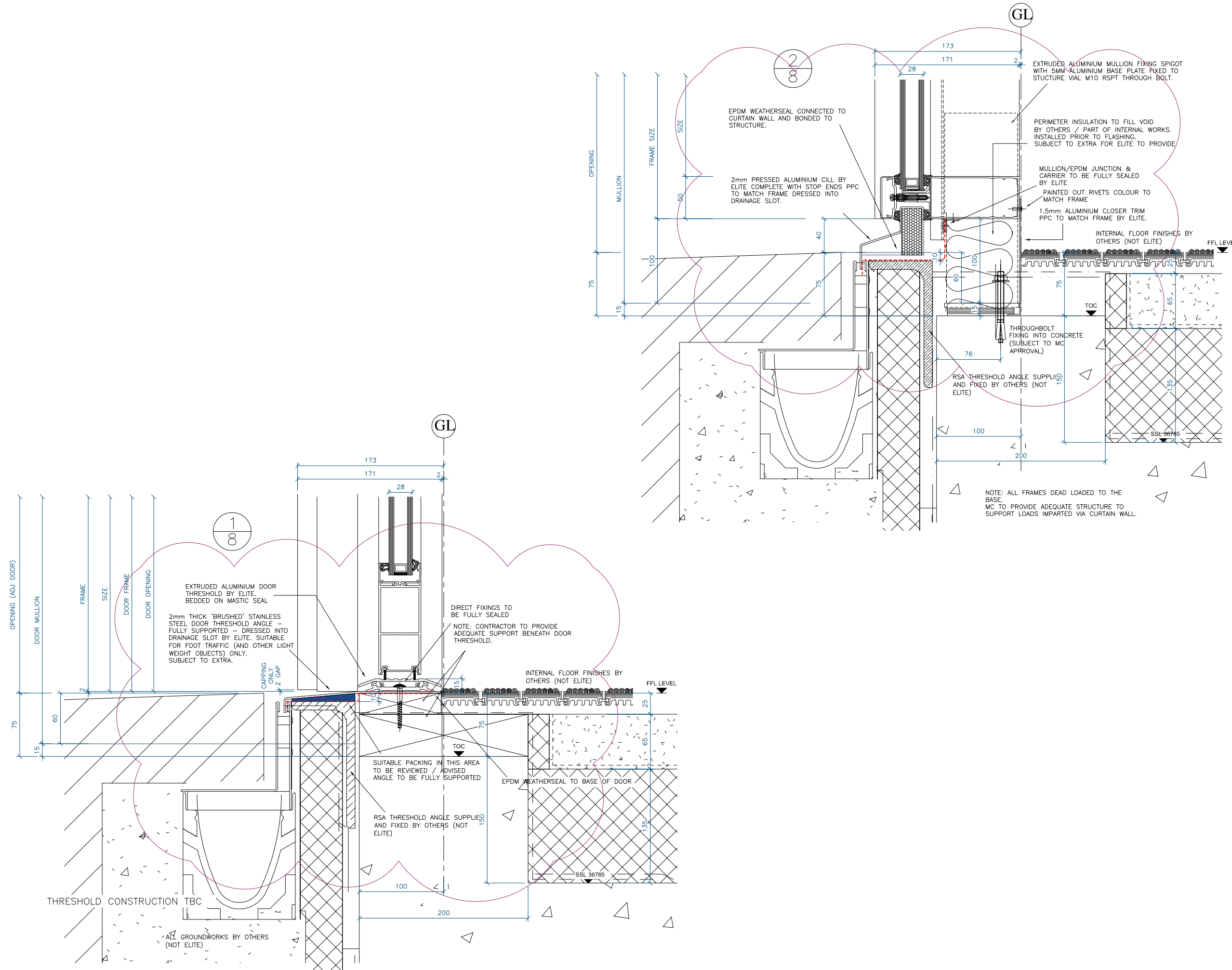
DRAWN: CA

DATE: Nov' 14

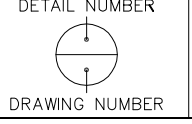
SCALE: 1:2 @ A1

DRAWING NO:
C6226-EAS
-005C

THRESHOLD DETAILS



DRAWING KEY:



GENERAL NOTES:

- MANUFACTURE, INSTALLATION & GENERAL PRACTICE (APPLIES TO ITEMS SUPPLIED BY ELITE ONLY).
- PERIMETER OF ELITE FRAMES TO BE EXTERNALLY SEALED TO SURROUNDING STRUCTURE.
 - ALL ELITE DOOR THRESHOLDS TO BE BEDDED ON MASTIC SEAL.
 - ALL EXTERNAL / EXPOSED METAL TO METAL JOINTS ON THE ELITE FRAMEWORK & ELITE PRESSINGS TO BE FULLY SEALED.
 - ELITE FRAMEWORK - ALL CURTAIN WALL TRANSOMS > 1200MM REQUIRE SHEARBLOCKS.
 - ELITE FRAMEWORK - CURTAIN WALL TRANSOMS THAT CARRY HEAVY LOADS REQUIRE SHEARBLOCKS.
 - ELITE FRAMEWORK - ALL THROUGH THE FRAME DIRECT FIXINGS TO BE FULLY SEALED.
- THE FOLLOWING WORKS ARE BY OTHERS (NOT BY ELITE) :-
- ANY STRUCTURAL MEMBERS REQUIRED TO SECURE / SUPPORT THE ELITE FRAMEWORK.
 - ANY INTERNAL FINISHES (IE, PLASTER FINISH, CILL BOARDS, CEILINGS, ARCHITRAVE, ETC).
 - ANY INTERNAL SEALS (IE, BETWEEN FRAME AND STRUCTURE / FINISHES, ETC.) - THESE ARE TO BE APPLIED AS PART OF INTERNAL WORKS.
 - ANY CAVITY CLOSERS, CAVITY TRAYS, VAPOUR CONTROL LAYERS, BREATHER MEMBRANES, CEMENT BOARDS, INSECT MESH, DPC, DPM, AIR SEALS & FIRE STOPPING ELEMENTS.
 - ANY INSULATION (UNLESS STATED OTHERWISE).
 - ANY ALUMINIUM FLASHINGS (UNLESS STATED OTHERWISE).
 - ANY ELEMENTS THAT FORM THE BUILDING ENVELOPE (EXCLUDING THE ITEMS OUTLINED IN ELITE'S ACCEPTED QUOTATION).
 - ANY INTERNAL STRUCTURE (IE, INTERNAL WALLS, ETC).

- PLEASE NOTE :-
- ANY DETAILS SHOWING WORKS THAT ARE BEING PROVIDED BY OTHERS / NOT BY ELITE (SUCH AS THE INTERNAL WORKS) ARE INDICATIVE AND MAY VARY. DETAILS FOR THESE WORKS ARE TO BE SUPPLIED SEPARATELY BY THE RELEVANT SPECIALIST CONTRACTOR RESPONSIBLE FOR THE WORK.
 - CAVITY CLOSERS SHOWN ARE INDICATIVE ONLY. CAVITY CLOSER DESIGN / DETAIL MAY VARY FROM SHOWN.
 - ALL GASKETS TO BE IN ACCORDANCE WITH THE SYSTEM SUPPLIERS RECOMMENDATIONS. NOTE: FRAME GASKETS SHOWN ARE INDICATIVE ONLY. ALTERNATIVE GASKETS (IN ACCORDANCE WITH SUPPLIERS RECOMMENDATIONS) MAY BE USED, WHICH MAY DIFFER FROM THAT SHOWN.

FOR FINAL APPROVAL

THIS DRAWING IS CONFIDENTIAL AND IS COPYRIGHT PROPERTY OF THE COMPANY. IT MUST NOT BE DISCLOSED, LOANED OR COPIED WITHOUT WRITTEN PERMISSION.

DO NOT SCALE

DRAWING PLOT DATE : 16/01/2015

| REV | BY | DATE | DESCRIPTION |
|-----|----|--------|--|
| C | LR | Jan-15 | DOOR THRESHOLD AMENDED STEEL ANGLE LOWERED BY 10MM |
| B | LR | Jan-15 | NOTES UPDATED. THRESHOLD DETAILS IN ABEYANCE. |
| A | LR | Jan-15 | UPDATED AS PER COMMENTS |

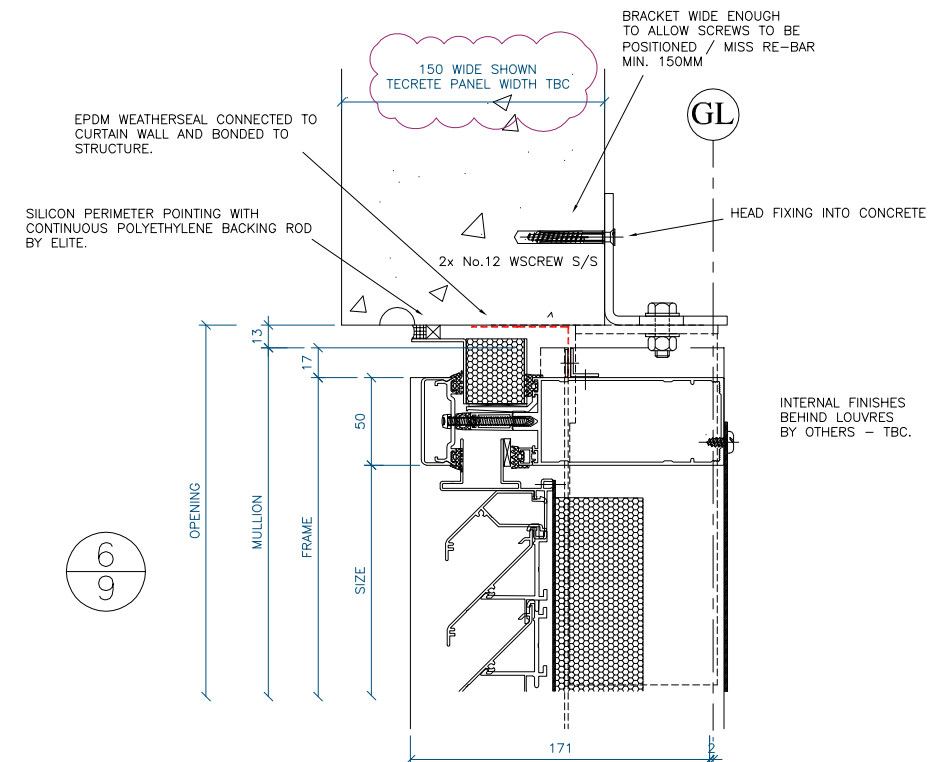
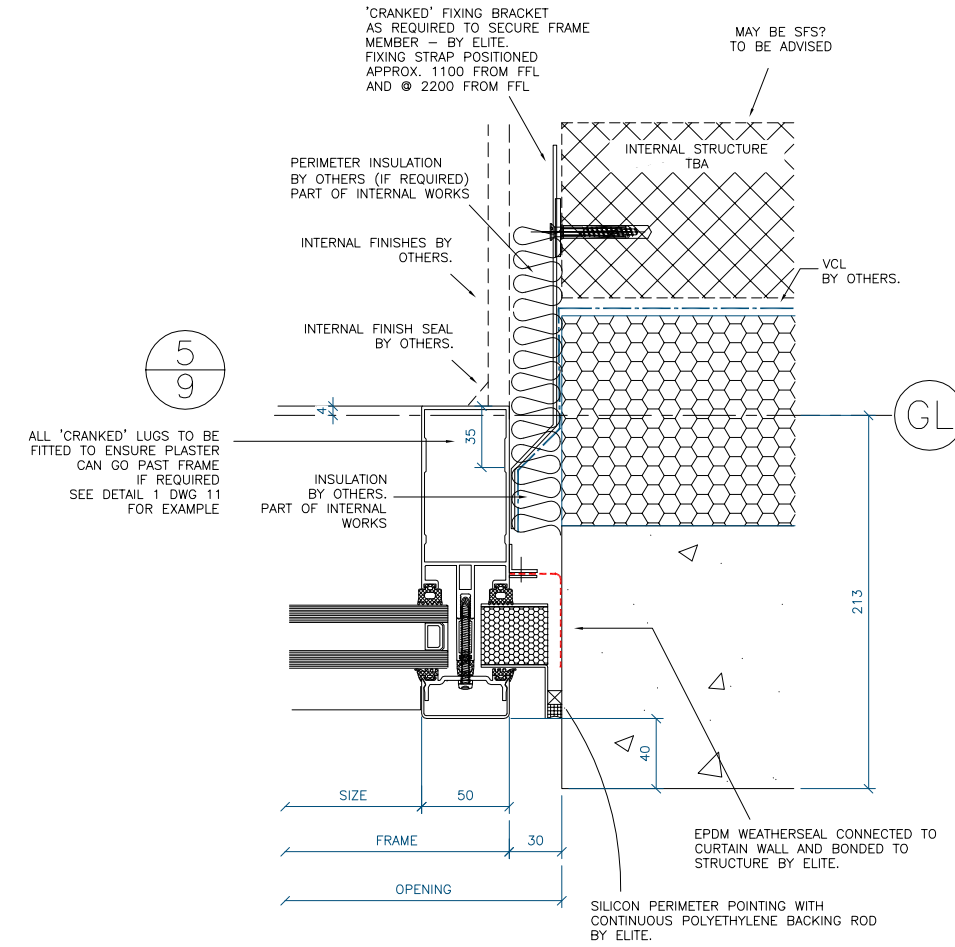
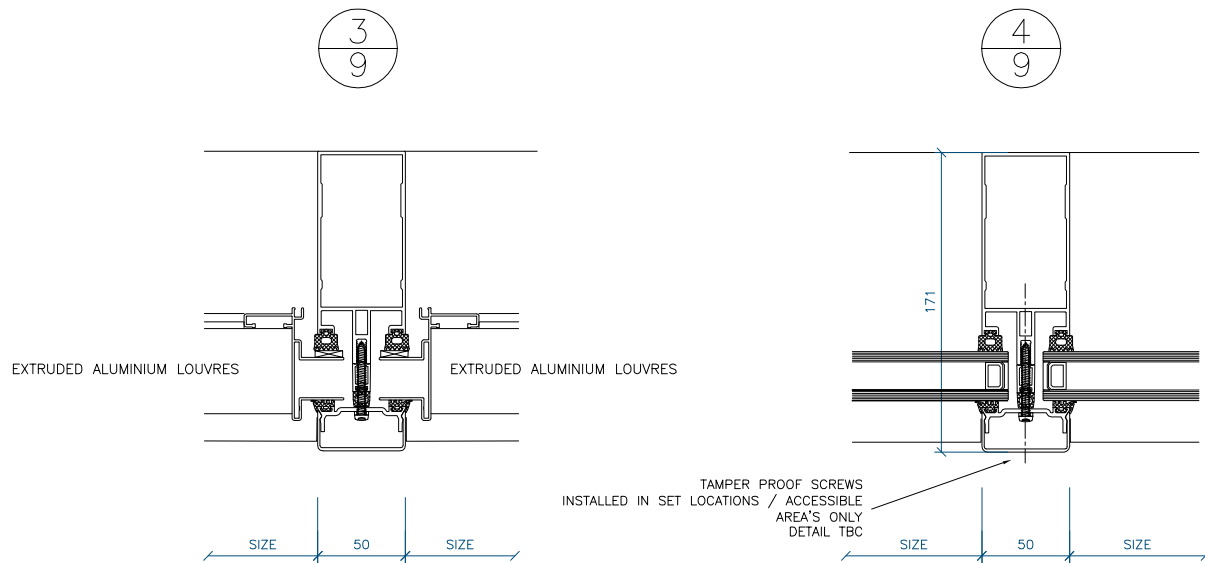
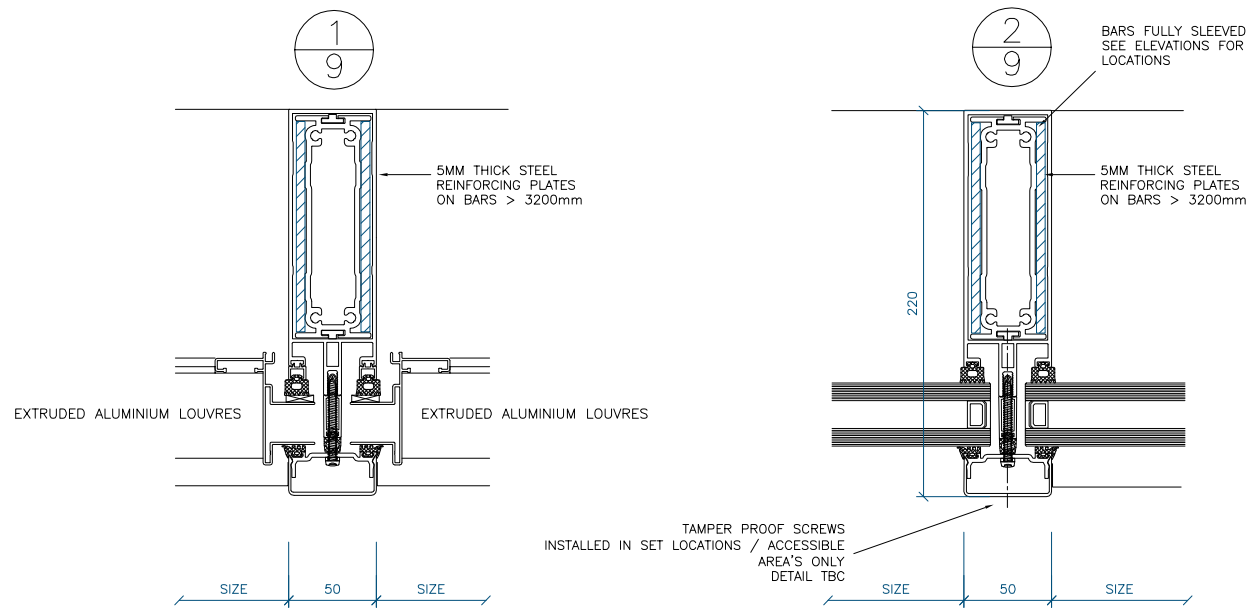
Elite Aluminium Systems Ltd
 LEAMORE LANE, WALSALL
 WEST MIDLANDS, WS2 7DQ.
 TEL: 01922 444443 FAX: 01922 710837
 EMAIL: general@elitesystems.co.uk

CONTRACT:
 Maiden Lane
 Camden
 London

MAIN CONTRACTOR:
 John Sisk & Sons Ltd

TITLE: Sectional Details
DRAWN: CA
DATE: Nov' 14
SCALE: 1:2 @ A1
DRAWING NO: C6226-EAS
 -008C

INTERMEDIATE MULLION DETAILS



DRAWING KEY:

DETAIL NUMBER

DRAWING NUMBER

GENERAL NOTES:

MANUFACTURE, INSTALLATION & GENERAL PRACTICE (APPLIES TO ITEMS SUPPLIED BY ELITE ONLY).

- PERIMETER OF ELITE FRAMES TO BE EXTERNALLY SEALED TO SURROUNDING STRUCTURE.
- ALL ELITE DOOR THRESHOLDS TO BE BEDDED ON MASTIC SEAL.
- ALL EXTERNAL / EXPOSED METAL TO METAL JOINTS ON THE ELITE FRAMEWORK & ELITE PRESSINGS TO BE FULLY SEALED.
- ELITE FRAMEWORK - ALL CURTAIN WALL TRANSOMS > 1200MM REQUIRE SHEARBLOCKS.
- ELITE FRAMEWORK - CURTAIN WALL TRANSOMS THAT CARRY HEAVY LOADS REQUIRE SHEARBLOCKS.
- ELITE FRAMEWORK - ALL THROUGH THE FRAME DIRECT FIXINGS TO BE FULLY SEALED.

THE FOLLOWING WORKS ARE BY OTHERS (NOT BY ELITE) :-

- ANY STRUCTURAL MEMBERS REQUIRED TO SECURE / SUPPORT THE ELITE FRAMEWORK.
- ANY INTERNAL FINISHES (IE, PLASTER FINISH, CILL BOARDS, CEILINGS, ARCHITRAVE, ETC.)
- ANY INTERNAL SEALS (IE, BETWEEN FRAME AND STRUCTURE / FINISHES, ETC.) - THESE ARE TO BE APPLIED AS PART OF INTERNAL WORKS.
- ANY CAVITY CLOSERS, CAVITY TRAYS, VAPOUR CONTROL LAYERS, BREATHER MEMBRANES, CEMENT BOARDS, INSECT MESH, DPC, DPM, AIR SEALS & FIRE STOPPING ELEMENTS.
- ANY INSULATION (UNLESS STATED OTHERWISE).
- ANY ALUMINIUM FLASHINGS (UNLESS STATED OTHERWISE).
- ANY ELEMENTS THAT FORM THE BUILDING ENVELOPE (EXCLUDING THE ITEMS OUTLINED IN ELITE'S ACCEPTED QUOTATION).
- ANY INTERNAL STRUCTURE (IE, INTERNAL WALLS, ETC.)

PLEASE NOTE :-

- ANY DETAILS SHOWING WORKS THAT ARE BEING PROVIDED BY OTHERS / NOT BY ELITE (SUCH AS THE INTERNAL WORKS) ARE INDICATIVE AND MAY VARY. DETAILS FOR THESE WORKS ARE TO BE SUPPLIED SEPARATELY BY THE RELEVANT SPECIALIST CONTRACTOR RESPONSIBLE FOR THE WORK.
- CAVITY CLOSERS SHOWN ARE INDICATIVE ONLY. CAVITY CLOSER DESIGN / DETAIL MAY VARY FROM SHOWN.
- ALL GASKETS TO BE IN ACCORDANCE WITH THE SYSTEM SUPPLIERS RECOMMENDATIONS. NOTE: FRAME GASKETS SHOWN ARE INDICATIVE ONLY. ALTERNATIVE GASKETS (IN ACCORDANCE WITH SUPPLIERS RECOMMENDATIONS) MAY BE USED, WHICH MAY DIFFER FROM THAT SHOWN.

FOR FINAL APPROVAL

THIS DRAWING IS CONFIDENTIAL AND IS COPYRIGHT PROPERTY OF THE COMPANY. IT MUST NOT BE DISCLOSED, LOANED OR COPIED WITHOUT WRITTEN PERMISSION.

DO NOT SCALE

DRAWING PLOT DATE : 16/01/2015

| REV | BY | DATE | DESCRIPTION |
|-----|----|--------|--|
| C | LR | Jan-15 | TECTRETE PANEL WIDTH - TBA |
| B | LR | Jan-15 | REINFORCING PLATES INCREASED 5MM THICK. LUG FIXING INCREASED. NOTES UPDATED. |
| A | LR | Jan-15 | UPDATED AS PER COMMENTS |

Elite Aluminium Systems Ltd

LEAMORE LANE, WALSALL
WEST MIDLANDS, WS2 7DQ.
TEL: 01922 444443 FAX: 01922 710837
EMAIL: general@elitesystems.co.uk

CONTRACT:

Maiden Lane
Camden
London

MAIN CONTRACTOR:

John Sisk & Sons Ltd

TITLE: Sectional Details

DRAWN: CA

DATE: Nov' 14

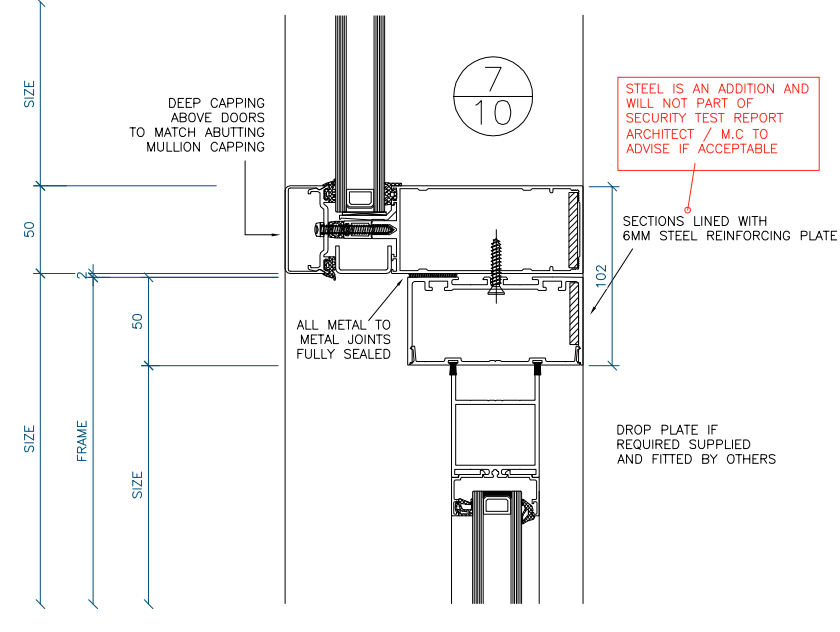
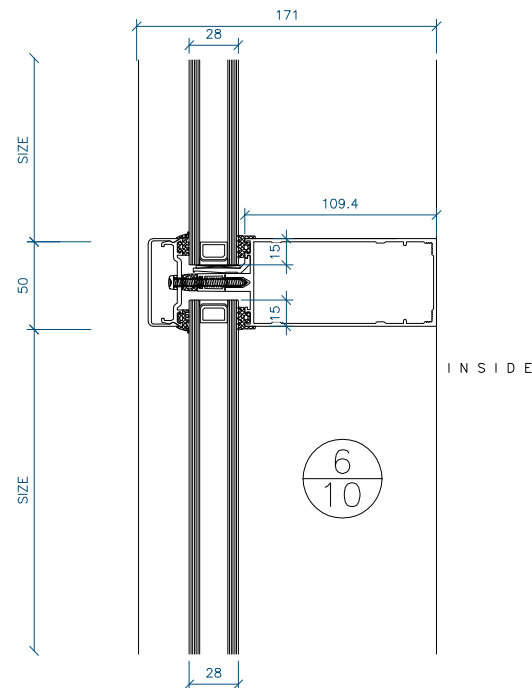
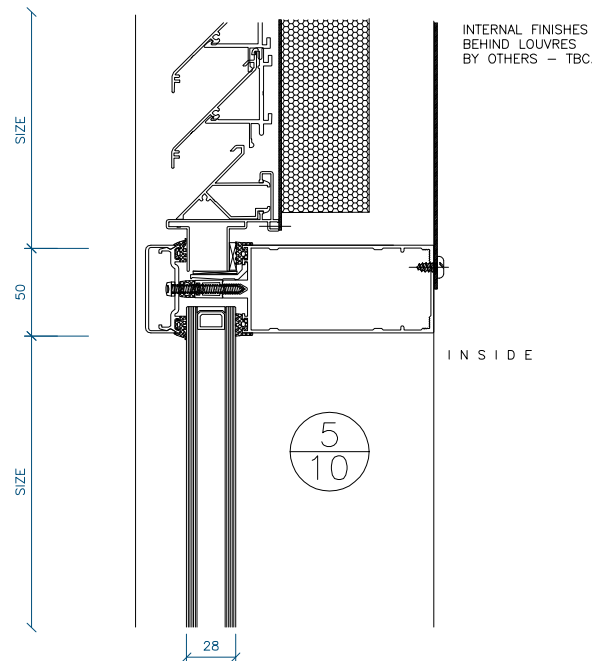
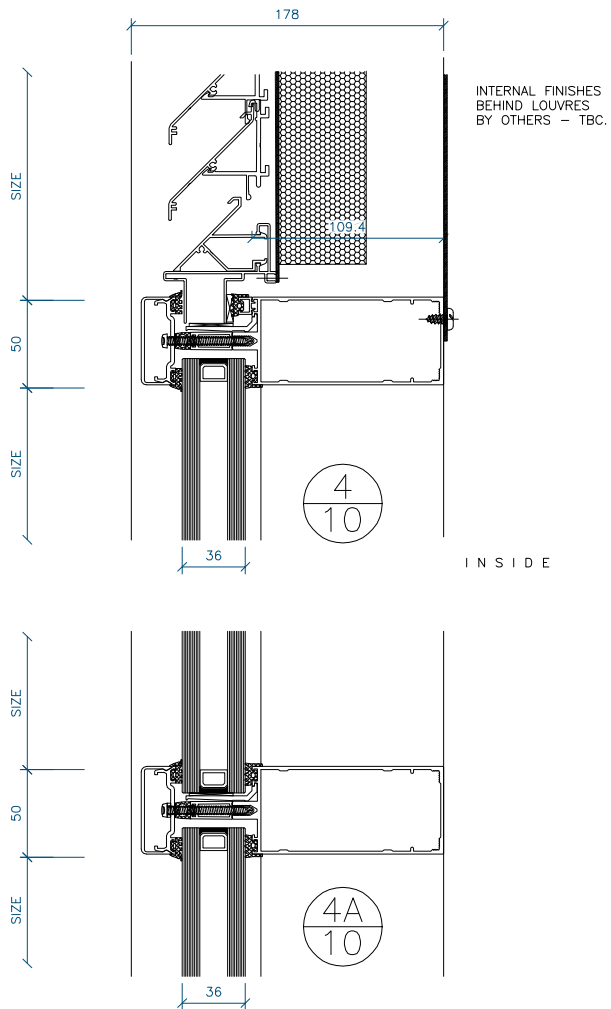
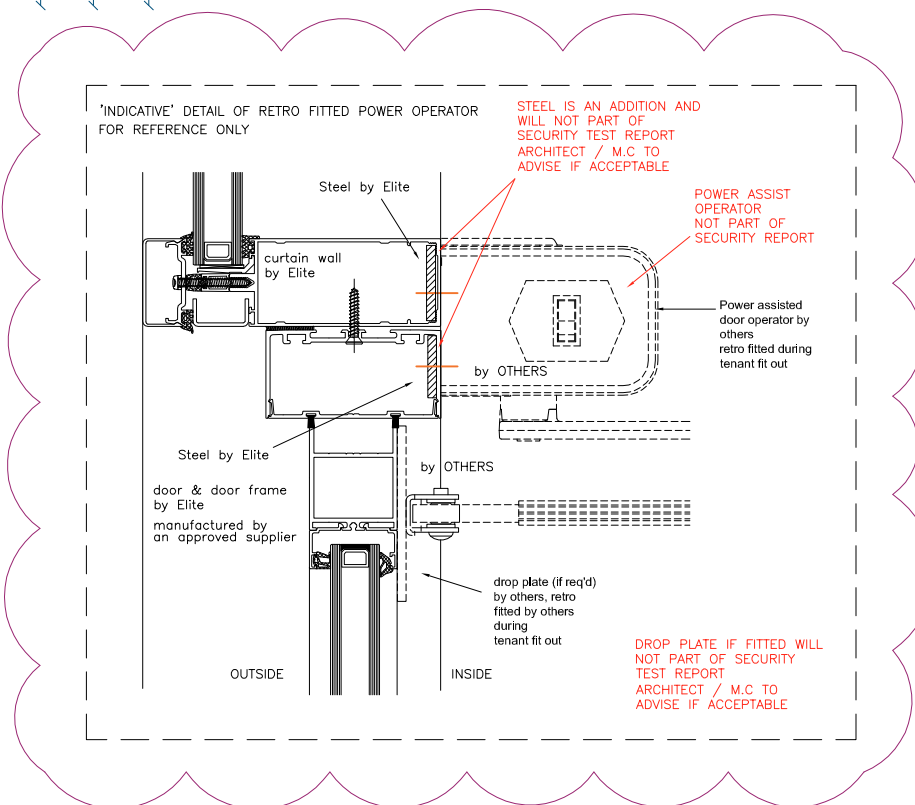
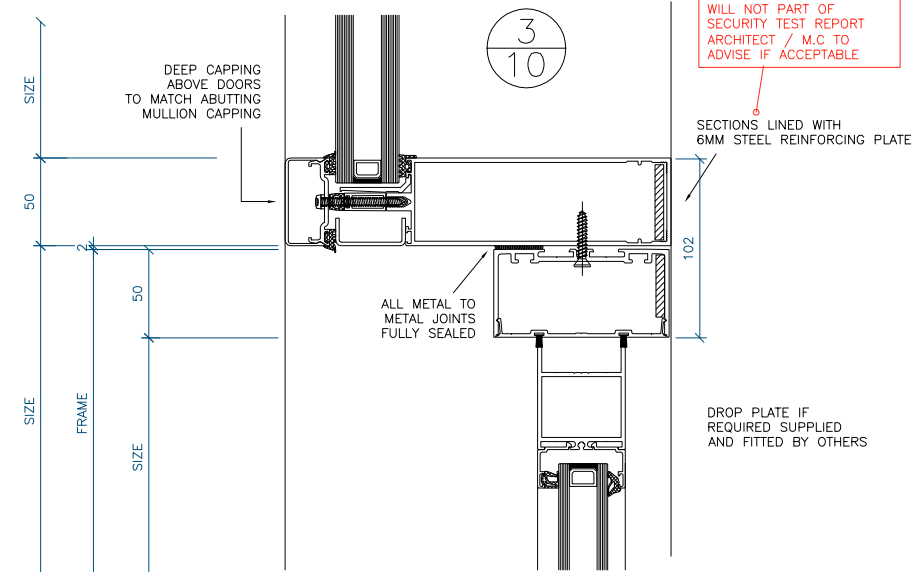
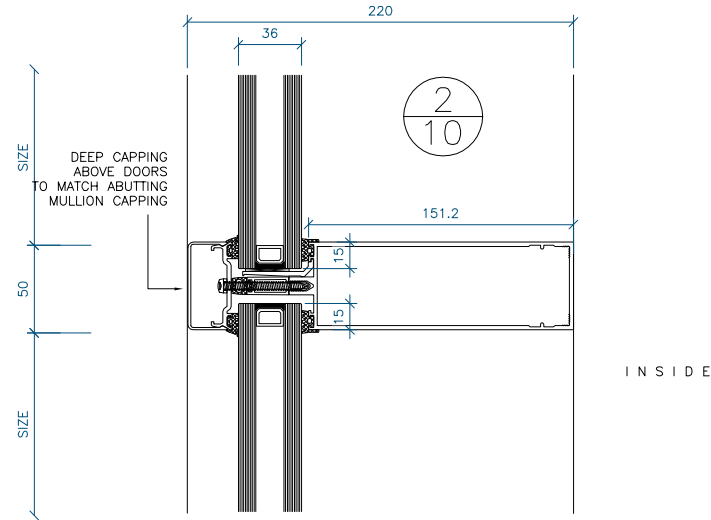
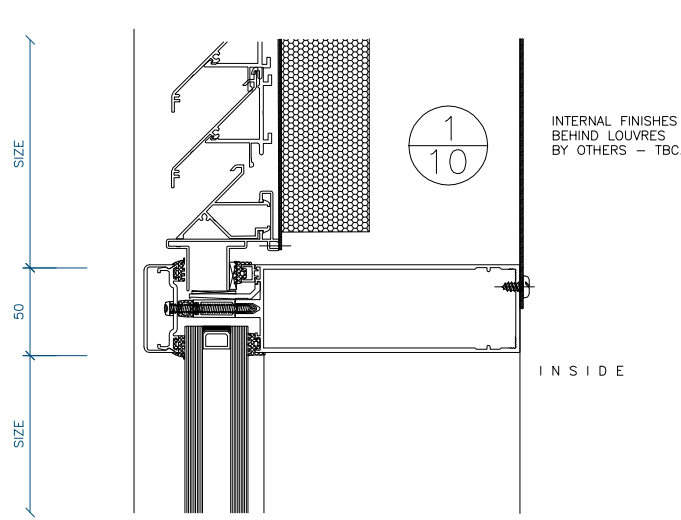
SCALE: 1:2 @ A1

DRAWING NO:

C6226-EAS

-009C

INTERMEDIATE TRANSOM DETAILS



DRAWING KEY:

DETAIL NUMBER



DRAWING NUMBER

GENERAL NOTES:

MANUFACTURE, INSTALLATION & GENERAL PRACTICE (APPLIES TO ITEMS SUPPLIED BY ELITE ONLY).

- PERIMETER OF ELITE FRAMES TO BE EXTERNALLY SEALED TO SURROUNDING STRUCTURE.
- ALL ELITE DOOR THRESHOLDS TO BE BEDDED ON MASTIC SEAL.
- ALL EXTERNAL / EXPOSED METAL TO METAL JOINTS ON THE ELITE FRAMEWORK & ELITE PRESSINGS TO BE FULLY SEALED.
- ELITE FRAMEWORK - ALL CURTAIN WALL TRANSOMS > 1200MM REQUIRE SHEARBLOCKS.
- ELITE FRAMEWORK - CURTAIN WALL TRANSOMS THAT CARRY HEAVY LOADS REQUIRE SHEARBLOCKS.
- ELITE FRAMEWORK - ALL THROUGH THE FRAME DIRECT FIXINGS TO BE FULLY SEALED.

THE FOLLOWING WORKS ARE BY OTHERS (NOT BY ELITE) :-

- ANY STRUCTURAL MEMBERS REQUIRED TO SECURE / SUPPORT THE ELITE FRAMEWORK.
- ANY INTERNAL FINISHES (IE, PLASTER FINISH, CILL BOARDS, CEILINGS, ARCHITRAVE, ETC.)
- ANY INTERNAL SEALS (IE, BETWEEN FRAME AND STRUCTURE / FINISHES, ETC.) - THESE ARE TO BE APPLIED AS PART OF INTERNAL WORKS.
- ANY CAVITY CLOSERS, CAVITY TRAYS, VAPOUR CONTROL LAYERS, BREATHER MEMBRANES, CEMENT BOARDS, INSECT MESH, DPC, OPM, AIR SEALS & FIRE STOPPING ELEMENTS.
- ANY INSULATION (UNLESS STATED OTHERWISE).
- ANY ALUMINIUM FLASHINGS (UNLESS STATED OTHERWISE).
- ANY ELEMENTS THAT FORM THE BUILDING ENVELOPE (EXCLUDING THE ITEMS OUTLINED IN ELITE'S ACCEPTED QUOTATION).
- ANY INTERNAL STRUCTURE (IE, INTERNAL WALLS, ETC.)

PLEASE NOTE :-

- ANY DETAILS SHOWING WORKS THAT ARE BEING PROVIDED BY OTHERS / NOT BY ELITE (SUCH AS THE INTERNAL WORKS) ARE INDICATIVE AND MAY VARY. DETAILS FOR THESE WORKS ARE TO BE SUPPLIED SEPARATELY BY THE RELEVANT SPECIALIST CONTRACTOR RESPONSIBLE FOR THE WORK.
- CAVITY CLOSERS SHOWN ARE INDICATIVE ONLY. CAVITY CLOSER DESIGN / DETAIL MAY VARY FROM SHOWN.
- ALL GASKETS TO BE IN ACCORDANCE WITH THE SYSTEM SUPPLIERS RECOMMENDATIONS. NOTE: FRAME GASKETS SHOWN ARE INDICATIVE ONLY. ALTERNATIVE GASKETS (IN ACCORDANCE WITH SUPPLIERS RECOMMENDATIONS) MAY BE USED, WHICH MAY DIFFER FROM THAT SHOWN.

CONSTRUCTION

THIS DRAWING IS CONFIDENTIAL AND IS COPYRIGHT PROPERTY OF THE COMPANY. IT MUST NOT BE DISCLOSED, LOANED OR COPIED WITHOUT WRITTEN PERMISSION.

DO NOT SCALE

DRAWING PLOT DATE : 16/01/2015

| REV | BY | DATE | DESCRIPTION |
|-----|----|--------|---|
| B | LR | Jan-15 | CONSTRUCTION ISSUE FOLLOWING STATUS 'A' |
| A | LR | Jan-15 | UPDATED AS PER COMMENTS |

Elite Aluminium Systems Ltd

LEAMORE LANE, WALSALL
WEST MIDLANDS, WS2 7DQ.
TEL: 01922 444443 FAX: 01922 710837
EMAIL: general@elitesystems.co.uk

CONTRACT:

Maiden Lane
Camden
London

MAIN CONTRACTOR:

John Sisk & Sons Ltd

TITLE: Sectional Details

DRAWN: CA

DATE: Nov' 14

SCALE: 1:2 @ A1

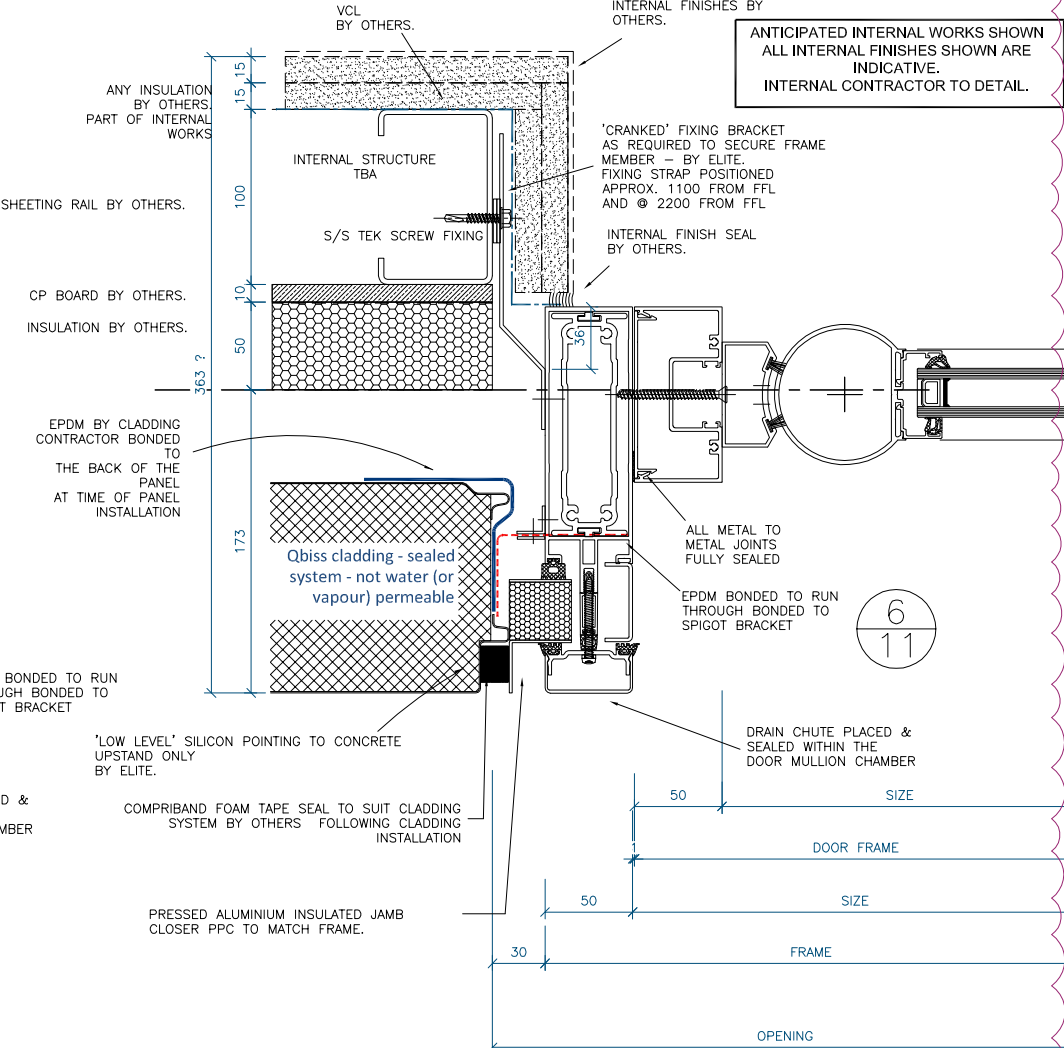
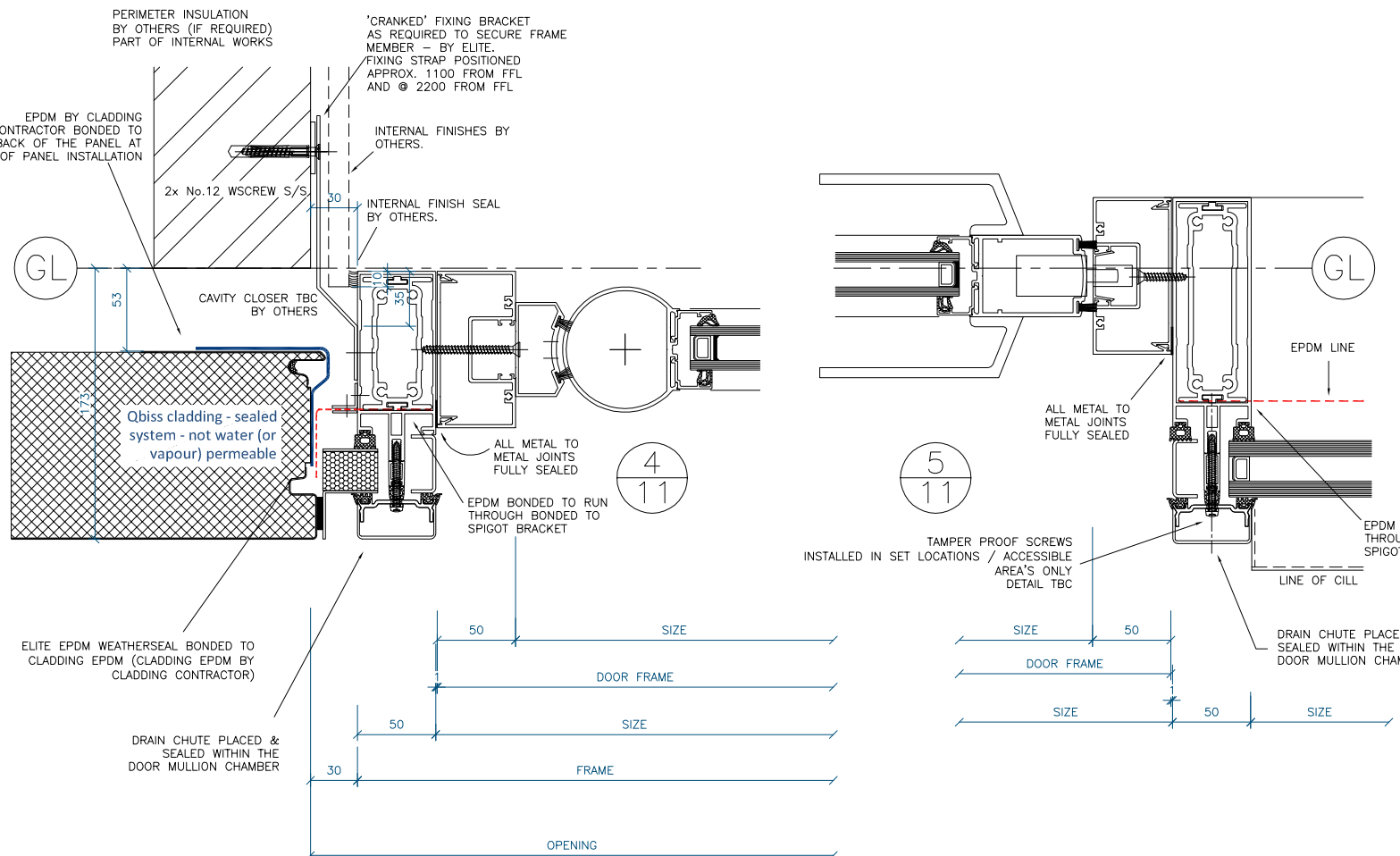
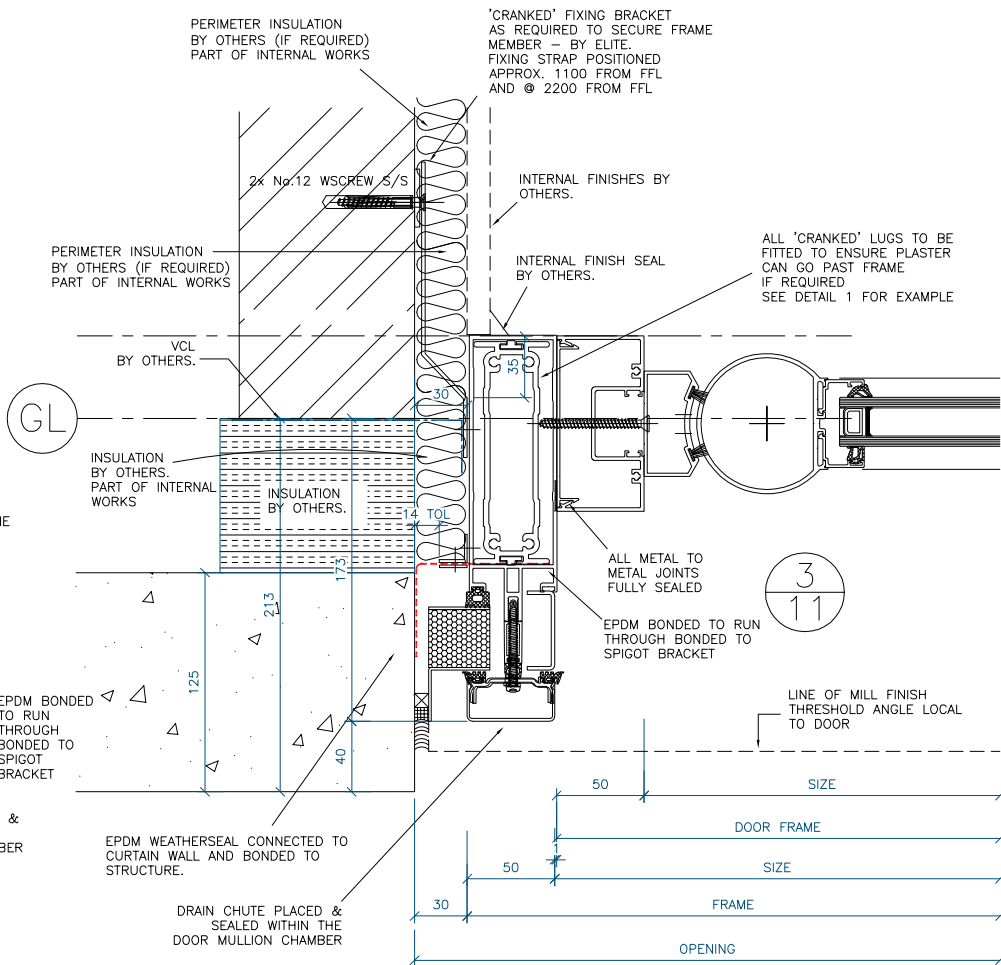
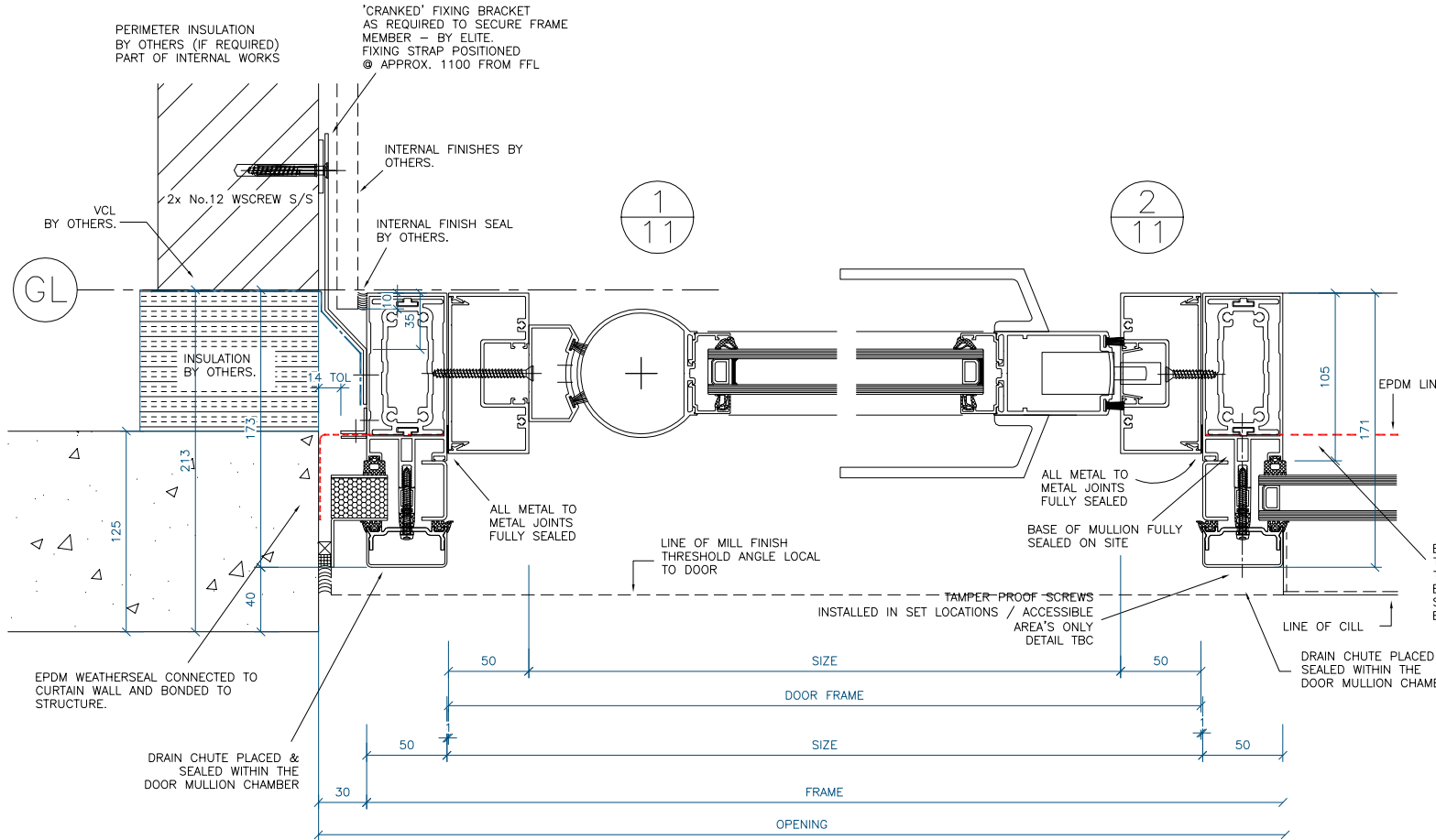
DRAWING NO:

C6226-EAS

-010B

DOOR DETAILS

ANTICIPATED INTERNAL WORKS SHOWN
ALL INTERNAL FINISHES SHOWN ARE
INDICATIVE.
INTERNAL CONTRACTOR TO DETAIL.



DRAWING KEY:

| | |
|----------------|--|
| DETAIL NUMBER | |
| DRAWING NUMBER | |

GENERAL NOTES:

- MANUFACTURE, INSTALLATION & GENERAL PRACTICE (APPLIES TO ITEMS SUPPLIED BY ELITE ONLY).
- PERIMETER OF ELITE FRAMES TO BE EXTERNALLY SEALED TO SURROUNDING STRUCTURE.
 - ALL ELITE DOOR THRESHOLDS TO BE BEDDED ON MASTIC SEAL.
 - ALL EXTERNAL / EXPOSED METAL TO METAL JOINTS ON THE ELITE FRAMEWORK & ELITE PRESSINGS TO BE FULLY SEALED.
 - ELITE FRAMEWORK - ALL CURTAIN WALL TRANSOMS > 1200MM REQUIRE SHEARBLOCKS.
 - ELITE FRAMEWORK - CURTAIN WALL TRANSOMS THAT CARRY HEAVY LOADS REQUIRE SHEARBLOCKS.
 - ELITE FRAMEWORK - ALL THROUGH THE FRAME DIRECT FIXINGS TO BE FULLY SEALED.
- THE FOLLOWING WORKS ARE BY OTHERS (NOT BY ELITE) :-
- ANY STRUCTURAL MEMBERS REQUIRED TO SECURE / SUPPORT THE ELITE FRAMEWORK.
 - ANY INTERNAL FINISHES (IE, PLASTER FINISH, CILL BOARDS, CEILINGS, ARCHITRAVE, ETC.) - THESE ARE TO BE APPLIED AS PART OF INTERNAL WORKS.
 - ANY CAVITY CLOSERS, CAVITY TRAYS, VAPOUR CONTROL LAYERS, BREATHER MEMBRANES, CEMENT BOARDS, INSECT MESH, DPC, DPM, AIR SEALS & FIRE STOPPING ELEMENTS.
 - ANY INSULATION (UNLESS STATED OTHERWISE).
 - ANY ALUMINIUM FLASHINGS (UNLESS STATED OTHERWISE).
 - ANY ELEMENTS THAT FORM THE BUILDING ENVELOPE (EXCLUDING THE ITEMS OUTLINED IN ELITE'S ACCEPTED QUOTATION).
 - ANY INTERNAL STRUCTURE (IE, INTERNAL WALLS, ETC.)

- PLEASE NOTE :-
- ANY DETAILS SHOWING WORKS THAT ARE BEING PROVIDED BY OTHERS / NOT BY ELITE (SUCH AS THE INTERNAL WORKS) ARE INDICATIVE AND MAY VARY. DETAILS FOR THESE WORKS ARE TO BE SUPPLIED SEPARATELY BY THE RELEVANT SPECIALIST CONTRACTOR RESPONSIBLE FOR THE WORK.
 - CAVITY CLOSERS SHOWN ARE INDICATIVE ONLY. CAVITY CLOSER DESIGN / DETAIL MAY VARY FROM SHOWN.
 - ALL GASKETS TO BE IN ACCORDANCE WITH THE SYSTEM SUPPLIERS RECOMMENDATIONS. NOTE: FRAME GASKETS SHOWN ARE INDICATIVE ONLY. ALTERNATIVE GASKETS (IN ACCORDANCE WITH SUPPLIERS RECOMMENDATIONS) MAY BE USED, WHICH MAY DIFFER FROM THAT SHOWN.

FOR FINAL APPROVAL

THIS DRAWING IS CONFIDENTIAL AND IS COPYRIGHT PROPERTY OF THE COMPANY. IT MUST NOT BE DISCLOSED, LOANED OR COPIED WITHOUT WRITTEN PERMISSION.

DO NOT SCALE

DRAWING PLOT DATE : 16/01/2015

| REV | BY | DATE | DESCRIPTION |
|-----|----|--------|-------------------------|
| C | LR | Jan-15 | SEALING DETAILS REVISED |
| B | LR | Jan-15 | LUG FIXING INCREASED |
| A | LR | Jan-15 | UPDATED AS PER COMMENTS |

Elite Aluminium Systems Ltd

LEAMORE LANE, WALSALL
WEST MIDLANDS, WS2 7DQ.
TEL: 01922 444443 FAX: 01922 710837
EMAIL: general@elitesystems.co.uk

CONTRACT:

Maiden Lane
Camden
London

MAIN CONTRACTOR:

John Sisk & Sons Ltd

TITLE: Sectional Details

DRAWN: CA

DATE: Nov 14

SCALE: 1:2 @ A1

DRAWING NO:

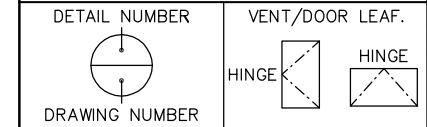
C6226-EAS

-011C

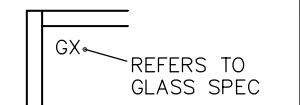
EXTERNAL ELEVATIONS

BLOCK D

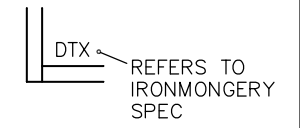
DRAWING KEY:



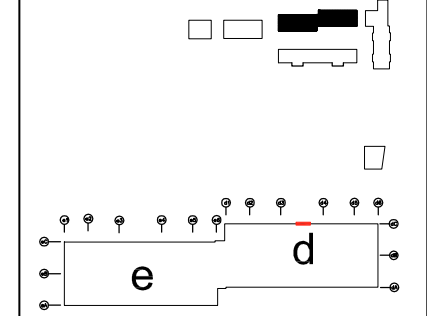
PART ELEVATION



PART ELEVATION



LOCATION:



CONSTRUCTION

THIS DRAWING IS CONFIDENTIAL AND IS COPYRIGHT PROPERTY OF THE COMPANY. IT MUST NOT BE DISCLOSED, LOANED OR COPIED WITHOUT WRITTEN PERMISSION.

DO NOT SCALE

DRAWING PLOT DATE : 07/05/2015

| REV | BY | DATE | DESCRIPTION |
|-----|----|--------|---|
| I | CA | MAY-15 | TBC NOTES OMITTED |
| H | CA | MAY-15 | INTERCOM CONTROL PANEL LOCATION CHANGED |
| G | LR | Jan-15 | INTERCOM CONTROL PANEL LOCATION ADDED NOTES ADDED |
| F | LR | Jan-15 | DOOR LOCKING NOTES ADDED |
| E | LR | Jan-15 | DOOR TYPE ADDED |
| D | LR | Jan-15 | THRESHOLD NOTES REMOVED |
| C | LR | Jan-15 | CONSTRUCTION ISSUE FOLLOWING STATUS 'A' |
| B | LR | Jan-15 | UPDATED AS PER COMMENTS MANIFESTATION REMOVED NOTES REMOVED |
| A | LR | JAN-15 | DRAWING REVISED |

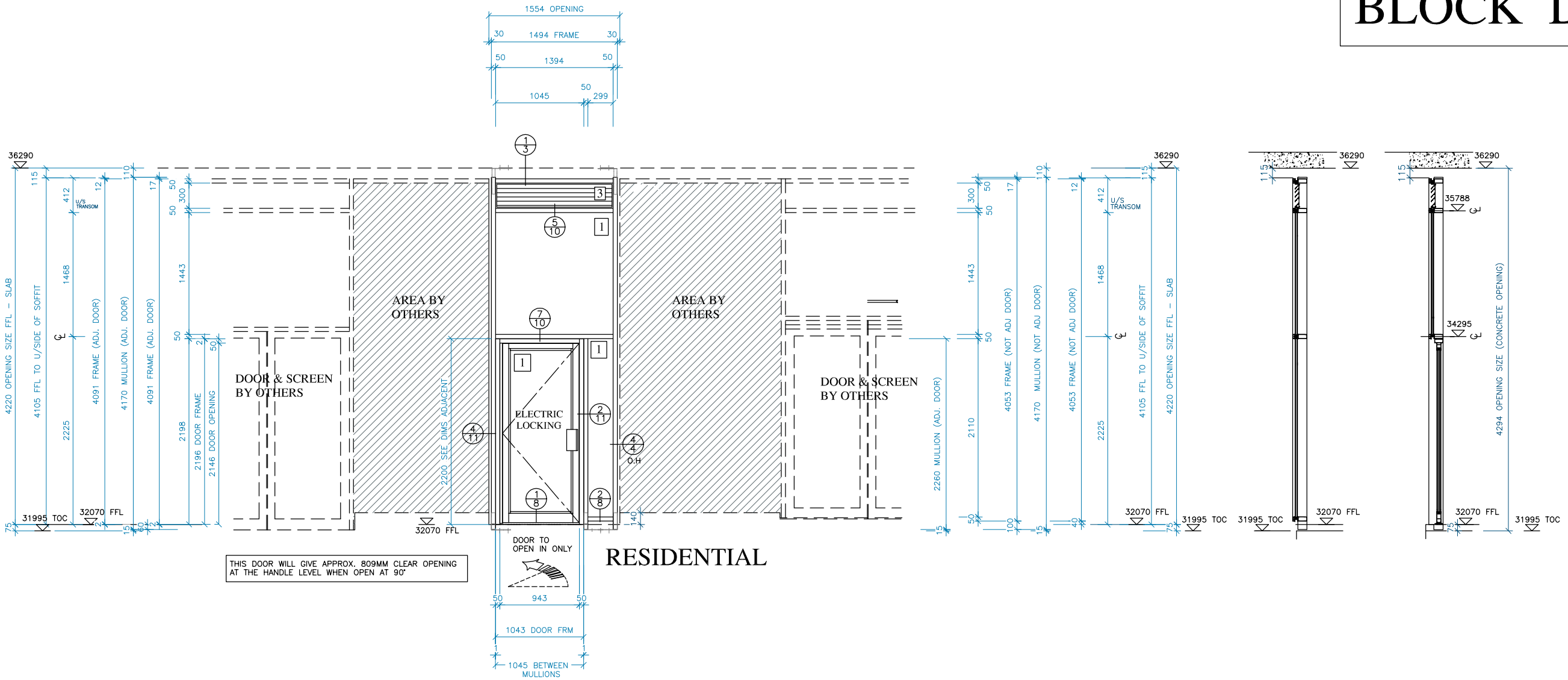
Elite Aluminium Systems Ltd
 LEAMORE LANE, WALSALL
 WEST MIDLANDS, WS2 7DQ.
 TEL: 01922 444443 FAX: 01922 710837
 EMAIL: general@elitesystems.co.uk

CONTRACT:
 Maiden Lane
 Camden
 London

MAIN CONTRACTOR:
 John Sisk & Sons Ltd

TITLE: External Elevations - BLOCK D

| | |
|-------------------------|--------------------|
| DRAWN: CA | DRAWING NO: |
| DATE: Nov' 14 | C6226-EAS |
| SCALE: 1:25 @ A1 | D-E07I |



ELITE ITEM No 11
 PRP ITEM: S-D-04
 LOCATION - BLOCK D
 1 No OFF REQUIRED THUS

