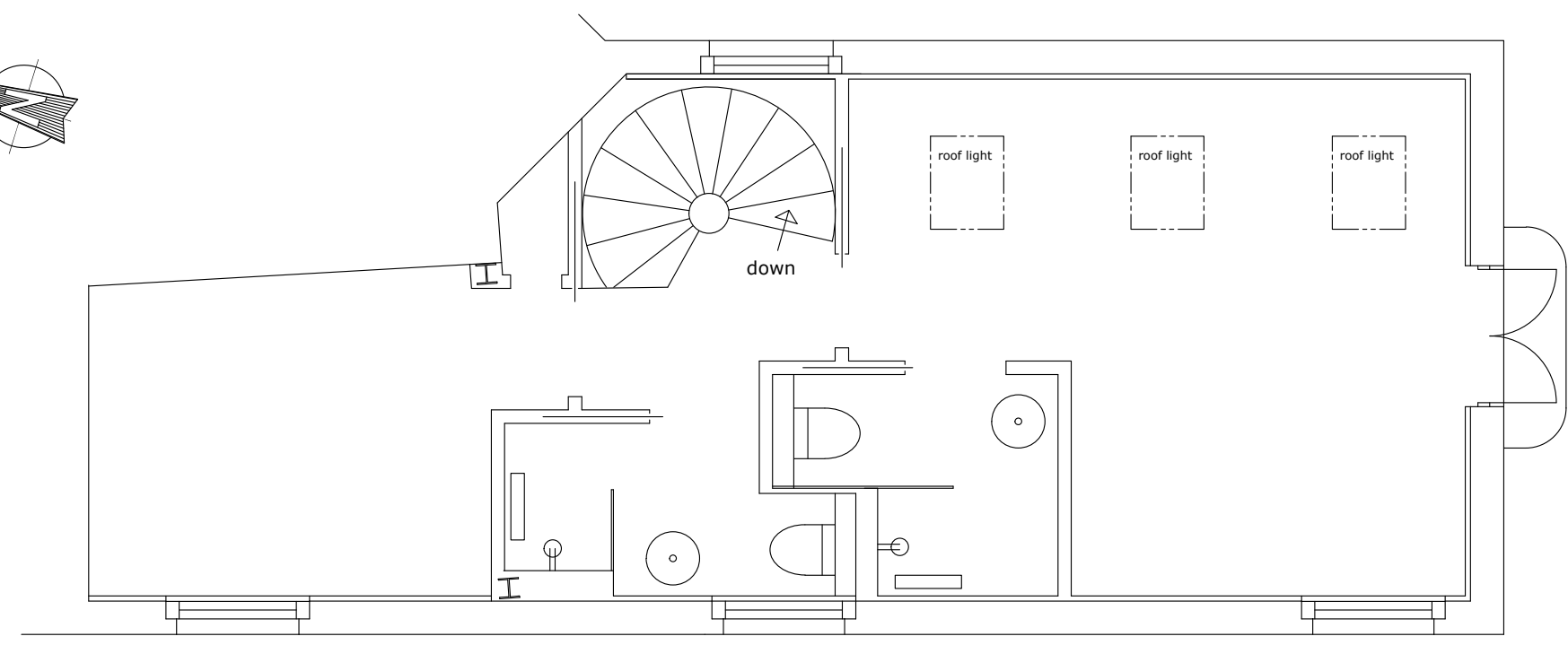
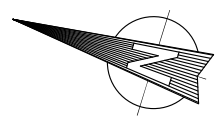


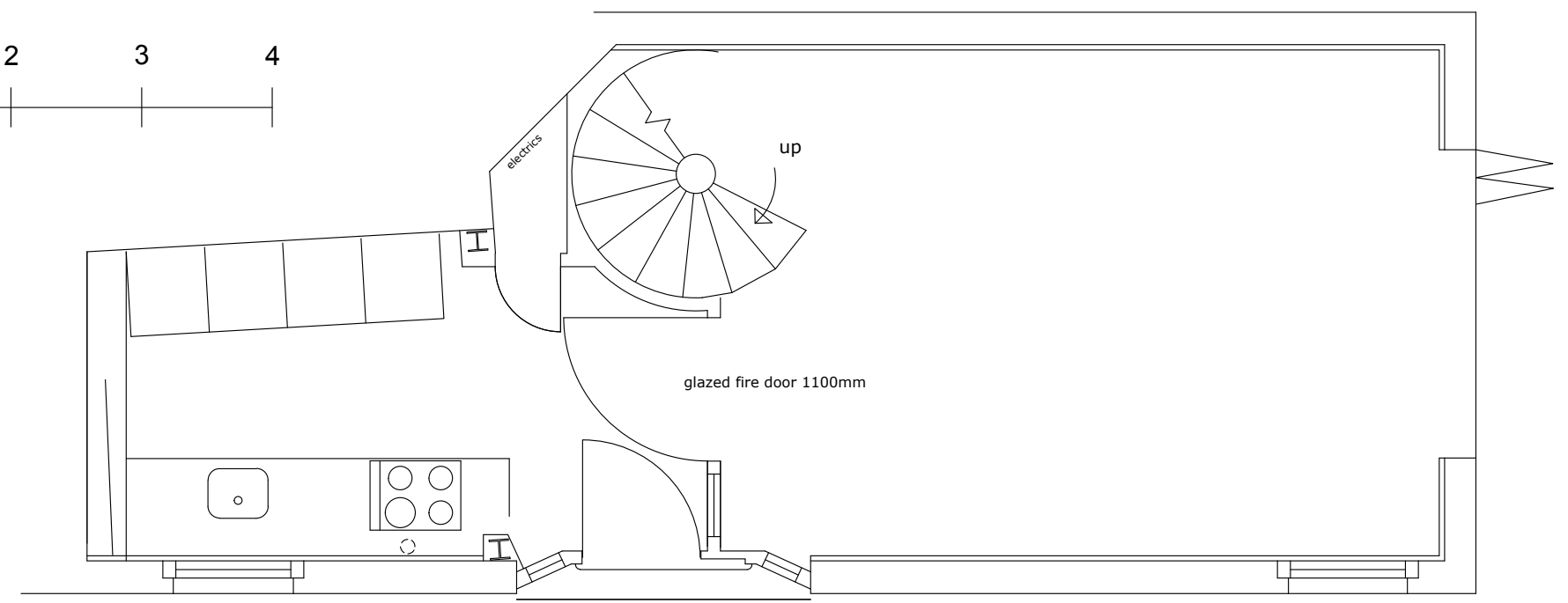
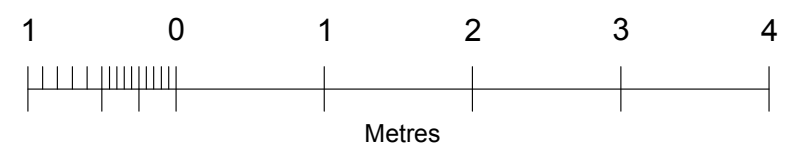
39A Lady Somerset Road

Proposed Floor Plans

PROJECT:	39A Lady Somerset Road, LONDON NW5 1TX		
DRAWING TITLE:	Proposed Plans and Elevations		
DRAWING No:	39A proposed.03		
DATE:	July 2015	SCALE:	1/50
SNELLING & SHERRIFF			



FIRST FLOOR PLAN



GROUND FLOOR PLAN