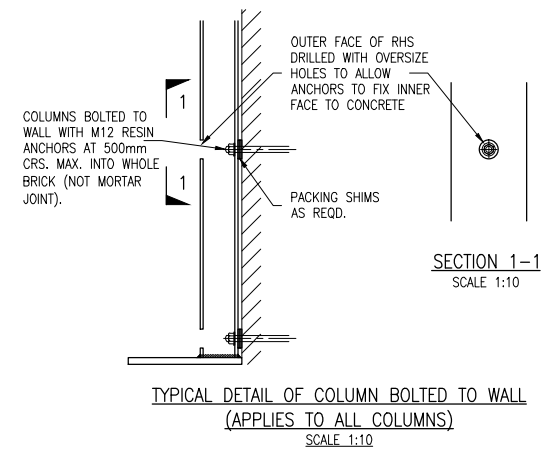


PROPOSED LOWER GROUND FLOOR PLAN
SCALE 1:50

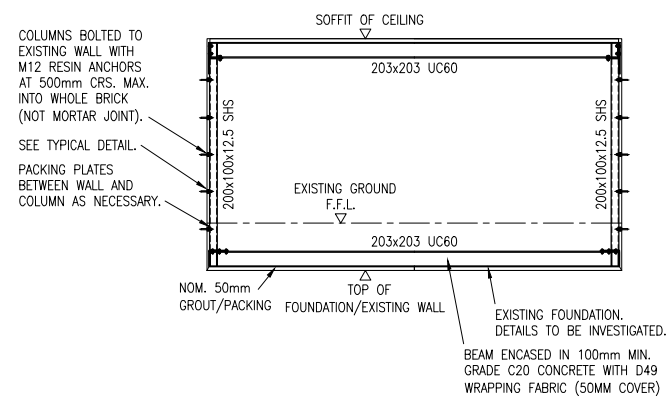
PROVIDE SOLID TIMBER NOGGINS TO NEW AND EXISTING JOISTS. NOGGINS SHALL NOT BE LESS THAN 38mm WIDE AND AT LEAST THREE QUARTERS OF JOIST DEPTH WITH 1 ROW CENTRALLY FOR JOIST SPANS LESS THAN 4.5m AND WITH 2 ROWS AT THIRD SPAN POINTS FOR JOIST SPANS GREATER THAN 4.5m.

WHERE NEW NON-LOAD BEARING LIGHTWEIGHT PARTITIONS ARE TO BE CONSTRUCTED, DOUBLE EXISTING FLOOR JOISTS LOCALLY IF PARALLEL TO PARTITION OR PROVIDE A ROW OF SOLID NOGGINS DIRECTLY BENEATH PARTITION IF PERPENDICULAR TO JOISTS.

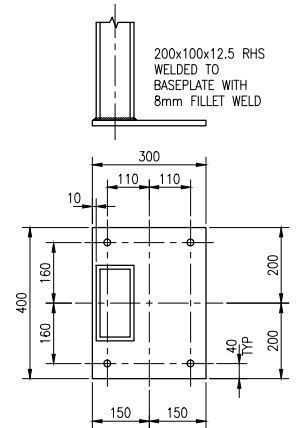
WHERE JOISTS ARE JOINED TO FORM A SINGLE TRIMMER, USE M12 BOLTS AT 400mm CENTRES WITH 75mm DIAMETER DOUBLE SIDED TOOTHED PLATE CONNECTORS. HALVE THE BOLT SPACING AT THE SUPPORTS.



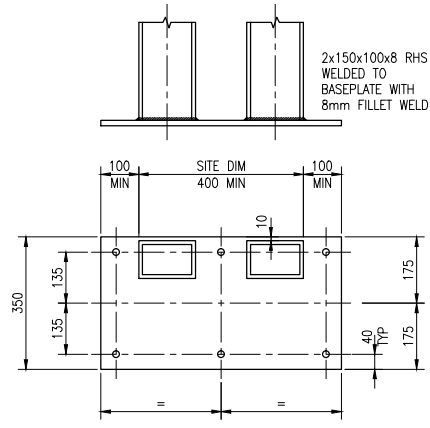
TYPICAL DETAIL OF COLUMN BOLTED TO WALL
(APPLIES TO ALL COLUMNS)
SCALE 1:10



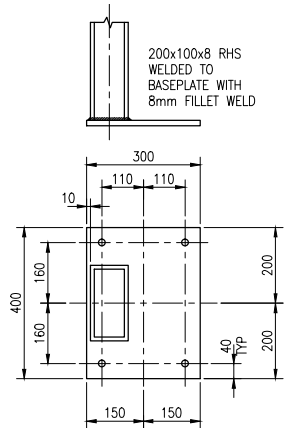
ELEVATION A-A
N.T.S.



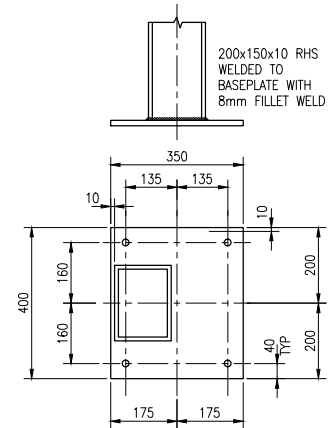
20mm THK BASEPLATE,
4 No. 18mm DIA HOLES TO RECEIVE 16mm DIA H.D. BOLTS
COLUMNS BC1 & BC6
SCALE 1:10



18mm THK BASEPLATE,
6 No. 18mm DIA HOLES TO RECEIVE 16mm DIA H.D. BOLTS
COLUMNS BC2
SCALE 1:10



16mm THK BASEPLATE,
4 No. 18mm DIA HOLES TO RECEIVE 16mm DIA H.D. BOLTS
COLUMNS BC3 & BC4
SCALE 1:10



24mm THK BASEPLATE,
4 No. 18mm DIA HOLES TO RECEIVE 16mm DIA H.D. BOLTS
COLUMN BC5
SCALE 1:10

- NOTES
- THIS DRAWING REMAINS THE COPYRIGHT OF MMP DESIGN AND IS NOT TO BE COPIED, ALTERED OR CHANGED WITHOUT PERMISSION.
 - ALL DIMENSIONS ARE IN MILLIMETRES UNLESS OTHERWISE NOTED.
 - DO NOT SCALE OFF THIS DRAWING.
 - ALL TEMPORARY WORKS SHALL BE THE RESPONSIBILITY OF THE MAIN CONTRACTOR BUT SHOULD ADVICE BE GIVEN BY THE ENGINEER, NO RESPONSIBILITY WILL BE ACCEPTED UNLESS THE ADVICE IS CONFIRMED IN WRITING BY THE CONTRACTOR PRIOR TO THE WORKS BEING CARRIED OUT
 - THE CONTRACTOR SHALL BE RESPONSIBLE FOR THE STABILITY OF THE EXISTING STRUCTURE AND EARTHWORKS ON THE SITE AND ADJOINING SITES AND MUST TAKE ALL NECESSARY PRECAUTIONS TO ENSURE STABILITY OF THE STRUCTURE AND SUCH SHORING IS TO BE ADEQUATELY FOUNDED.
 - ANY DEVIATION FROM THE DETAILS SHOWN MUST BE NOTIFIED TO THE ENGINEER BY THE CONTRACTOR IN WRITING BEFORE BEING CARRIED OUT.
 - THE LOCAL AUTHORITY'S BUILDING INSPECTOR AND THE ENGINEER ARE TO BE INFORMED BY THE CONTRACTOR IN WRITING AT LEAST 48 HOURS PRIOR TO THE WORKS STARTING ON SITE AND THEIR AGREEMENT OBTAINED THAT WORK CAN COMMENCE.
 - FIRE PROTECTION TO ALL STRUCTURAL MEMBERS SHALL ACHIEVE NOT LESS THAN A 1 HOUR STANDARD.
 - ALL NEW STRUCTURAL TIMBER SHALL BE GRADE SC4 (OR C24) TO BS. 4978 UNLESS OTHERWISE NOTED AND SHALL BE TREATED WITH AN APPROVED TIMBER PRESERVATIVE, INCLUDING CUT ENDS AND NOTCHES.
 - ALL STRUCTURAL STEELWORK SHALL BE MILD STEEL AND PAINTED WITH 1 COAT OF RED OXIDE AT THE FABRICATION WORKS AND 1 COAT ON SITE AFTER ERECTION, EACH COAT WITH A DRY FILM THICKNESS OF NOT LESS THAN 50 MICRONS. STEELWORK TO BE ENCASED IN CONCRETE SHALL BE UNPAINTED.
 - ALL STEELWORK CONNECTION DESIGNS AND FABRICATION DETAILS SHALL BE PREPARED BY THE APPOINTED SPECIALIST STEELWORK CONTRACTOR UNLESS OTHERWISE NOTED.
 - THE CONCRETE MIX FOR PADSTONES SHALL BE A 1:4 MIX.
 - BRICKWORK SHALL BE CONSTRUCTED USING BRICKS WITH A MINIMUM CRUSHING STRENGTH OF 27.5N/mm² AND BLOCKWORK SHALL BE CONSTRUCTED USING BLOCKS WITH A MINIMUM CRUSHING STRENGTH OF 2.8N/mm² UNLESS OTHERWISE NOTED. ALL MASONRY SHALL BE LAID IN CLASS (iii) MORTAR.

Rev.	Revision	Date

Client
CD&B
BASEMENTS

Project
31 HEATH DRIVE
LONDON
NW3 7SB

Title
PROPOSED BASEMENT EXTENSION AND ALTERATIONS
STRUCTURAL DETAILS - SHEET 2

Drawing Status:
BUILDING REGULATIONS

Date: MAY/2105	Drawn by: SB
Scales: AS NOTED AT A1	Checked:

MMP DESIGN
Consulting Civil & Structural Engineers

First Floor Unit 6
Union Park
Packet Boat Lane
Uxbridge UB8 2GH
Tel: 01895 430700 Fax: 01895 430550
Email: mail@mmpdesign.co.uk

The Institution of Structural Engineers

Job No. 4467	Drp. No. 02	Rev.
---------------------	--------------------	------