

SAPA Dualframe SI thermal break aluminium Tilt before Turn windows & Residential doors  
 Dualcolour Polyester powder coated RAL 7016 Grey Ext / RAL 9910 White Int  
 75mm direct fix outer frame with pressed aluminium sub cills  
 Tilt before Turn open in sashes with multi point locking systems to windows with silver handles  
 High security multi point locking systems to residential doors with silver lever/lever handles to suit SBD requirements  
 Trickle vents achieving 4000sqmm (2500EA) airflow per vent silver finish  
 Double glazed Soft Coat Low E units as shown on schedule

**Glazing Key:**

① 4/20/4 Clear Toughened Soft Coat Low E Units

② 6.4/18/4 Clear Toughened Soft Coat Low E / Clear Laminated Units

Due to the nature of Tilt 'n' Turns it is not possible to have additional concealed restrictors.

Surface mounted restrictors can be fitted but these can only be fitted onto a mullion and not onto a frame section as the majority of the frame section is covered by the dry lining and therefore there is not sufficient frame left to mount the restrictor onto

The turn motion is meant purely for cleaning purposes only and not for venting which is what the tilt position is for. When the handle is in the locked position the handle will only move to the tilt position and not to the turn position for child safety

— Slot type trickle vents achieving 4000sqmm per vent (2500EA)

△ Please Note: Arrow points to position of handle (T/H Shown)

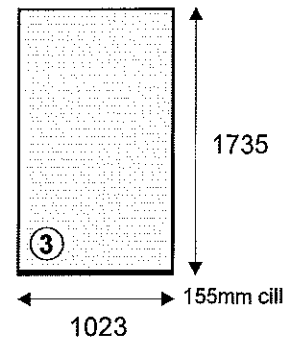
**Please Note: All dimensions shown are approximate and subject to our site survey**

Client: Hutton Construction Ltd  
 Site Address: 59-61 Oak Grove  
 Camden  
 NW 2 3LR

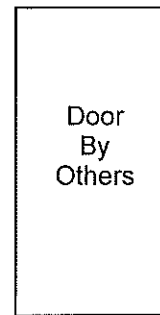
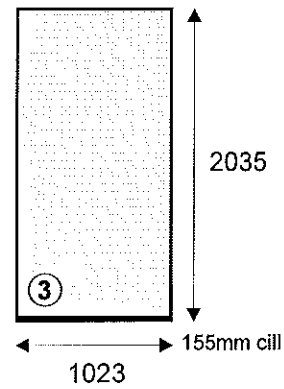
Detail: Elevation A Window/Door Schedule  
 Scale: 1:50 @ A3  
 Drawing No.: 001  
 Works Order No.: 4742  
 Date: 05/02/15

**CLIVNARS**  
 WE DO WHAT WE WORK  
 Pindar Road, Hoddesdon,

**W09-02-05**



**W06-01-05**



Slot type trickle vents achieving 4000sqmm per vent (2500EA)



Please Note: Arrow points to position of handle (T/H Shown)

**Please Note: All dimensions shown are approximate and subject to our site survey**

Client:	Hutton Construction Ltd	Detail	Elevation B Window/Door Schedule
Site Address:	59-61 Oak Grove Camden NW 2 3LR	Scale	1:50 @ A3
		Works Order No.	4742
		Drawing No.	002
		Date:	05/02/15



SAPA Dualframe SI thermal break aluminium Tilt before Turn windows & Residential doors  
 Dualcolour Polyester powder coated RAL 7016 Grey Ext / RAL 9910 White Int  
 75mm direct fix outer frame with pressed aluminium sub cills  
 Tilt before Turn open in sashes with multi point locking systems to windows with silver handles  
 High security multi point locking systems to residential doors with silver lever/lever handles to suit SBD requirements  
 Trickle vents achieving 4000sqmm (2500EA) airflow per vent silver finish  
 Double glazed Soft Coat Low E units as shown on schedule

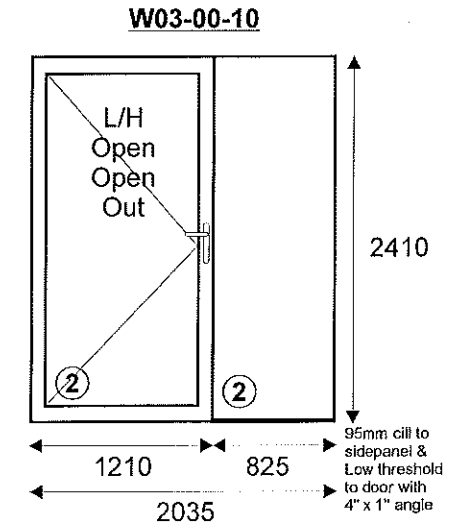
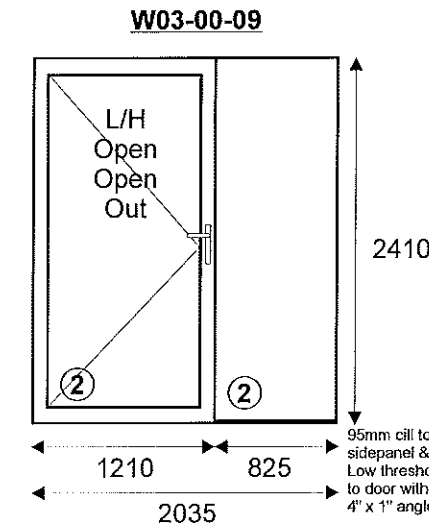
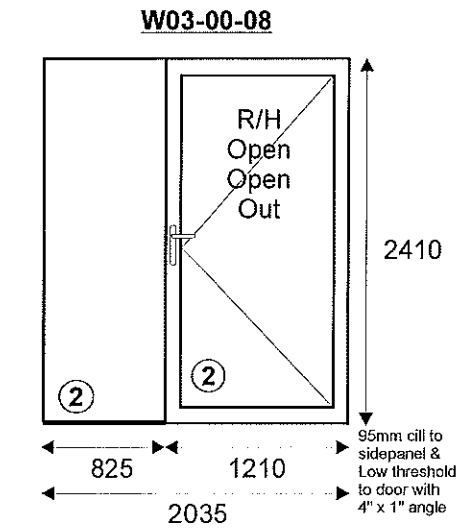
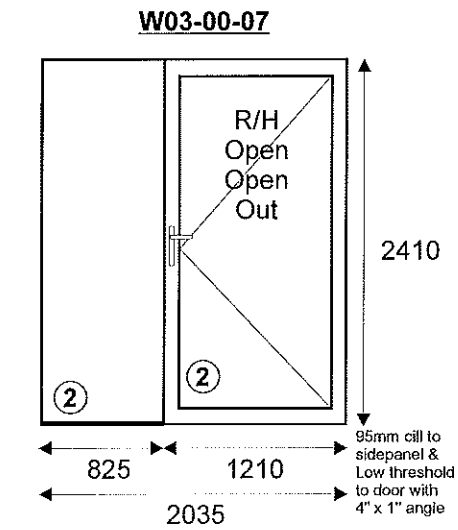
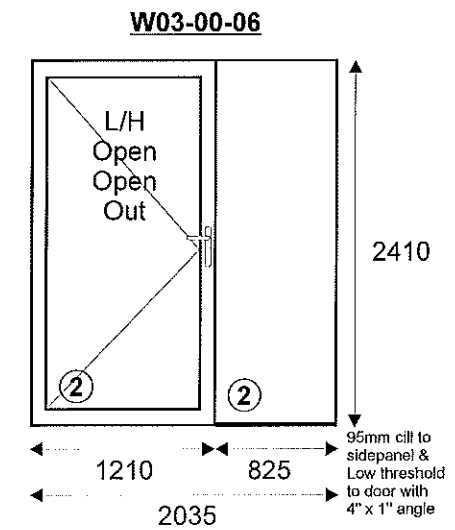
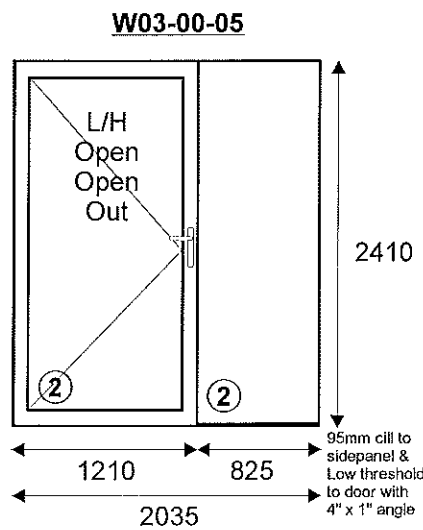
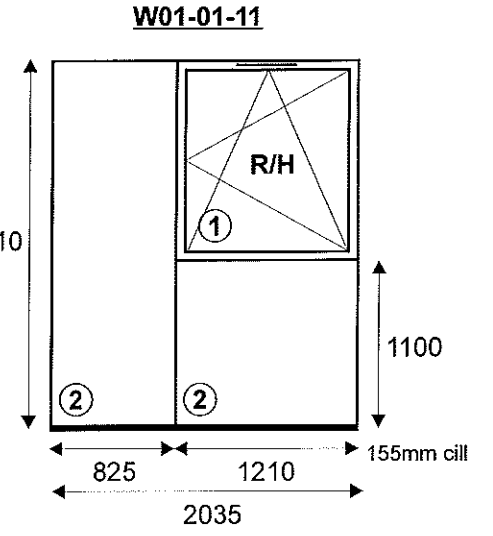
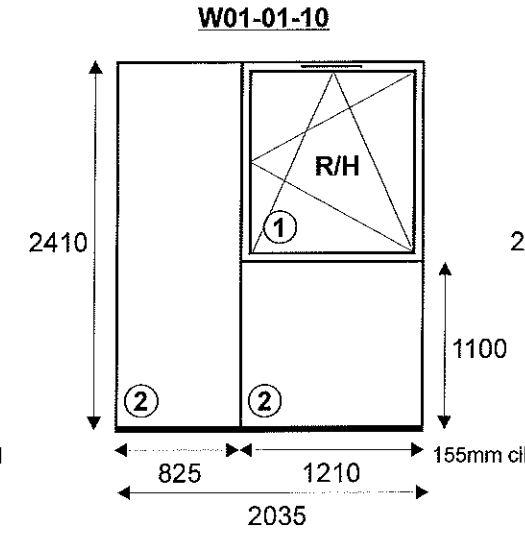
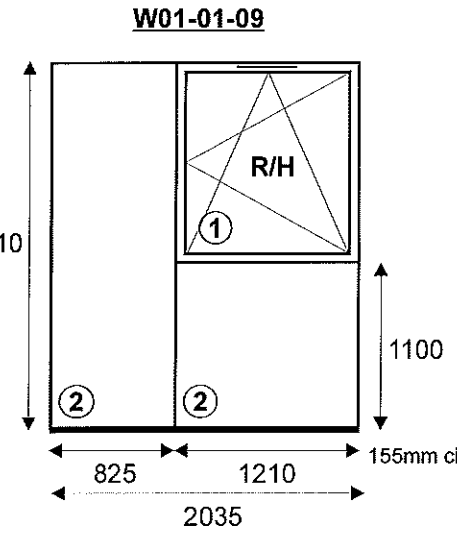
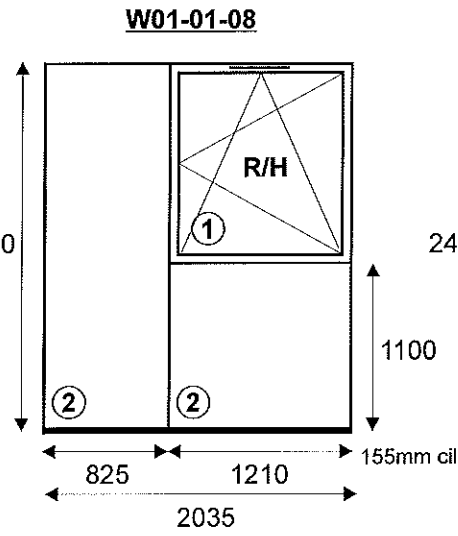
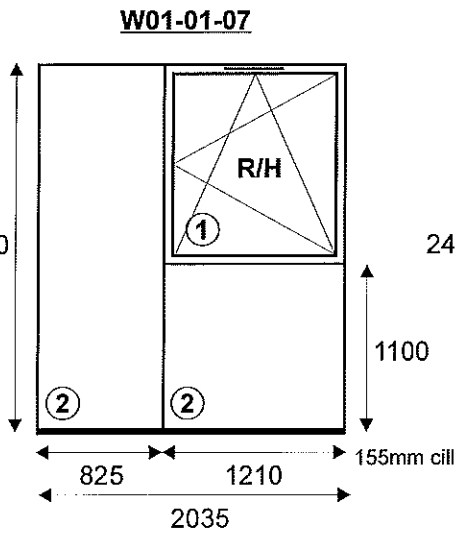
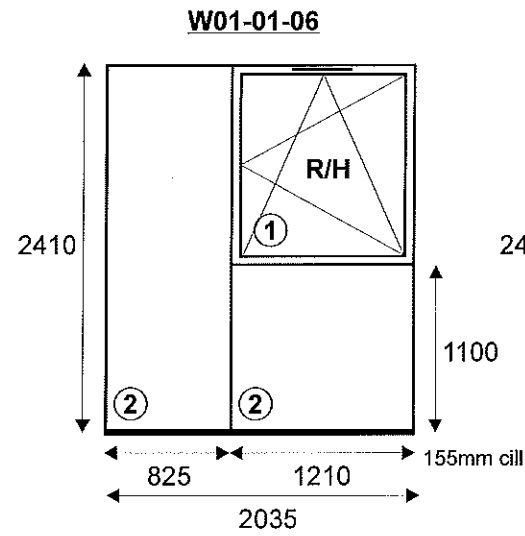
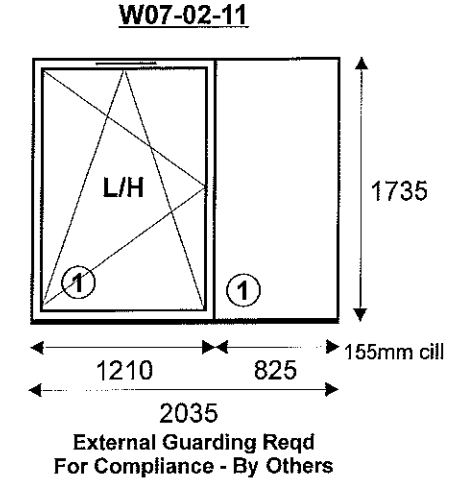
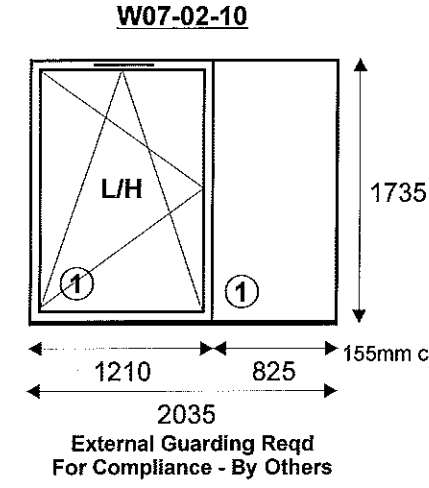
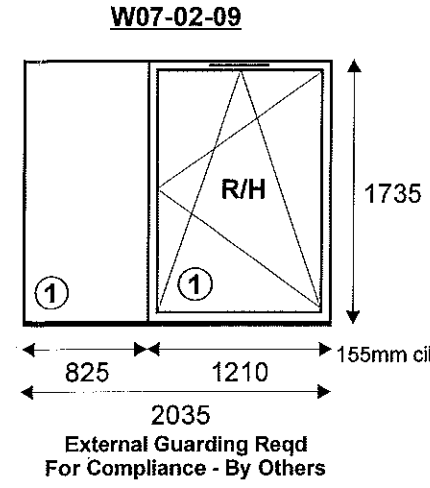
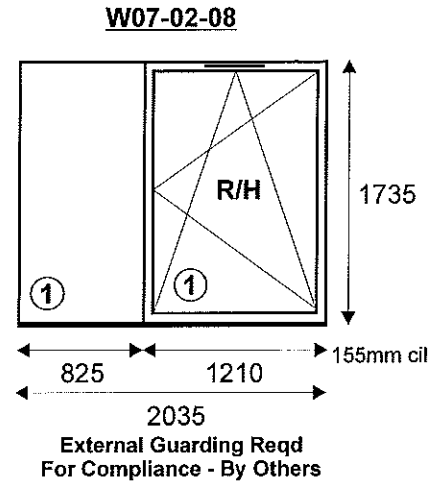
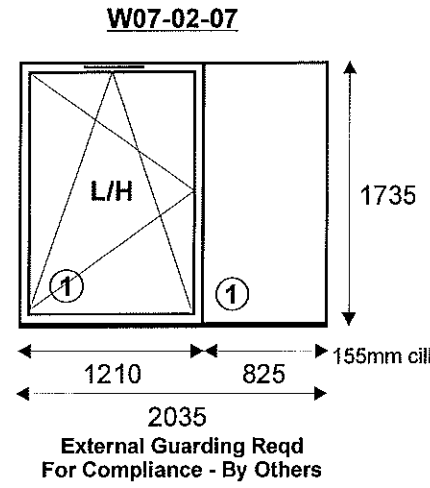
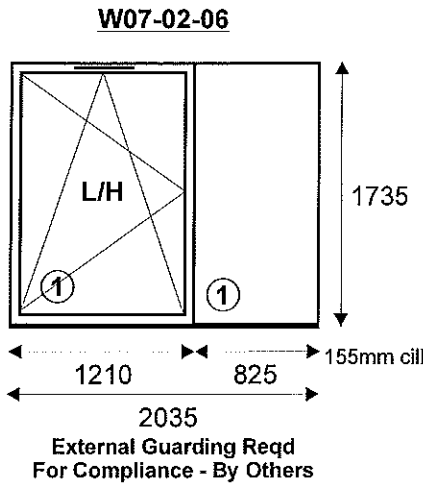
Due to the nature of Tilt n' Turns it is not possible to have additional concealed restrictors.

Surface mounted restrictors can be fitted but these can only be fitted onto a mullion and not onto a frame section as the majority of the frame section is covered by the dry lining and therefore there is not sufficient frame left to mount the restrictor onto

The turn motion is meant purely for cleaning purposes only and not for venting which is what the tilt position is for. When the handle is in the locked position the handle will only move to the tilt position and not to the turn position for child safety

**Glazing Key:**

- ① 4/20/4 Clear Toughened Soft Coat Low E Units
- ② 6.4/18/4 Clear Toughened Soft Coat Low E / Clear Laminated Units
- ③ 6.4/18/4 Stippolyte Toughened Soft Coat Low E / Clear Laminated Units



SAPA Dualframe SI thermal break aluminium Tilt before Turn windows & Residential doors  
 Dualcolour Polyester powder coated RAL 7016 Grey Ext / RAL 9910 White Int  
 75mm direct fix outer frame with pressed aluminium sub cills  
 Tilt before Turn open in sashes with multi point locking systems to windows with silver handles  
 High security multi point locking systems to residential doors with silver lever/lever handles to suit SBD requirements  
 Trickle vents achieving 4000sqmm (2500EA) airflow per vent silver finish  
 Double glazed Soft Coat Low E units as shown on schedule

**Glazing Key:**

- ① 4/20/4 Clear Toughened Soft Coat Low E Units
- ② 6.4/18/4 Clear Toughened Soft Coat Low E / Clear Laminated Units

— Slot type trickle vents achieving 4000sqmm per vent (2500EA) Please Note: Arrow points to position of handle (T/H Shown)

**Please Note: All dimensions shown are approximate and subject to our site survey**

Client: Hutton Construction Ltd  
 Site Address: 59-61 Oak Grove  
 Camden  
 NW 2 3LR

Detail: Elevation C Window/Door Schedule  
 Scale: 1:50 @ A3  
 Drawing No. 003

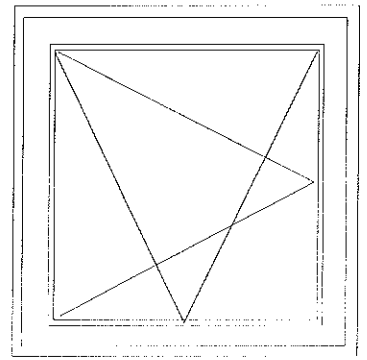
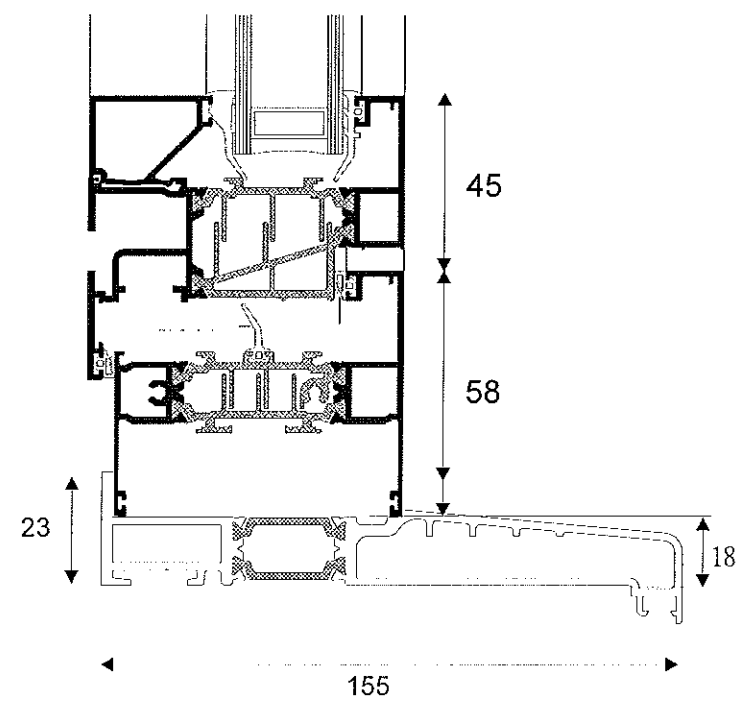
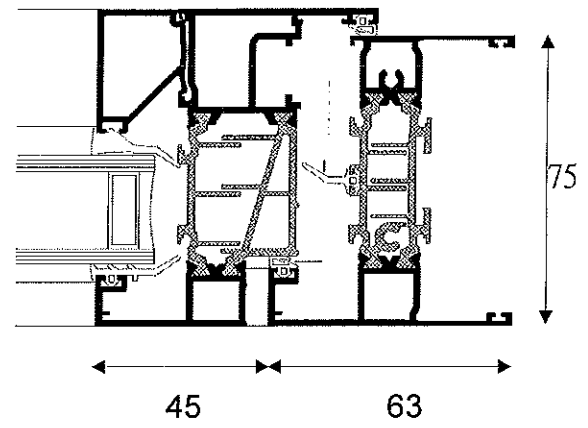
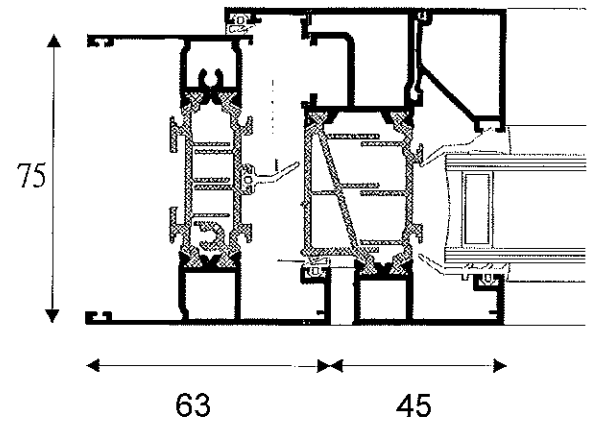
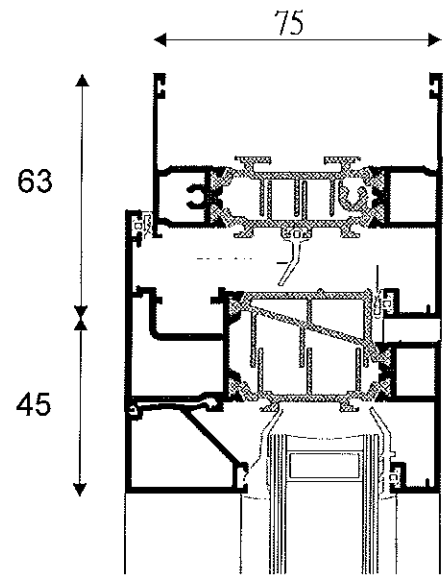
Works Order No. 4742  
 Date: 05/02/15

**CLIVNARS**  
 WINDOW & DOOR WORKS  
 Pindar Road, Hoddesdon,

Due to the nature of Tilt 'n' Turns it is not possible to have additional concealed restrictors.

Surface mounted restrictors can be fitted but these can only be fitted onto a mullion and not onto a frame section as the majority of the frame section is covered by the dry lining and therefore there is not sufficient frame left to mount the restrictor onto

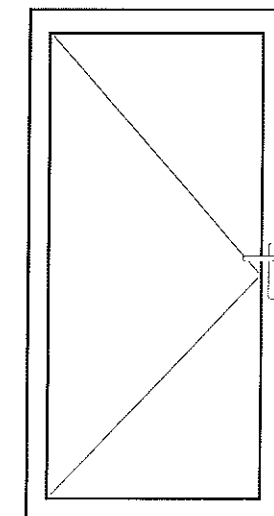
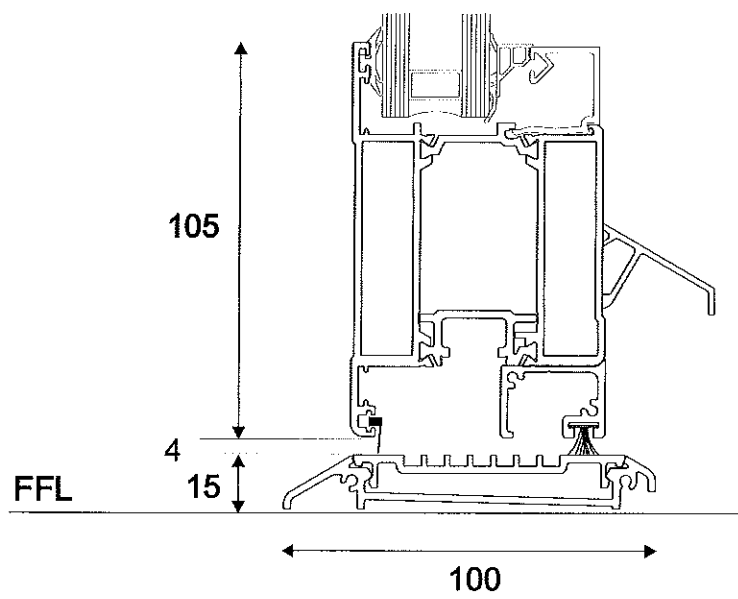
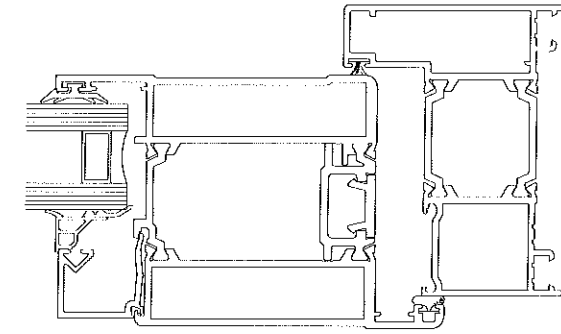
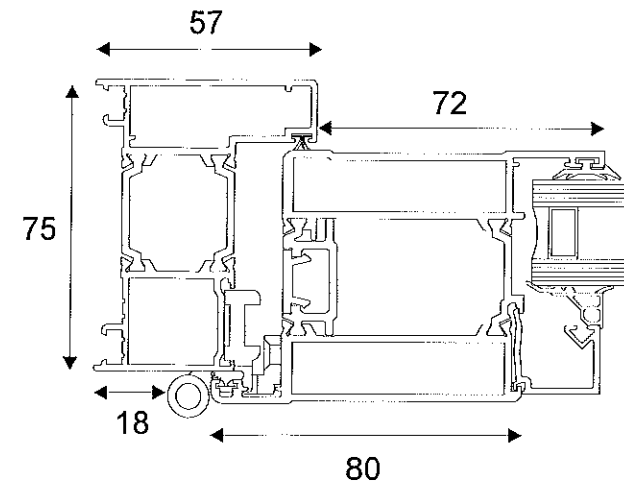
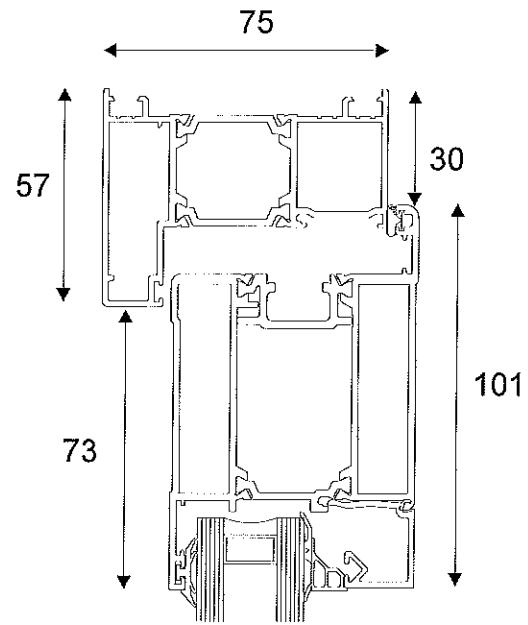
The turn motion is meant purely for cleaning purposes only and not for venting which is what the tilt position is for. When the handle is in the locked position the handle will only move to the tilt position and not to the turn position for child safety



Client: Hutton Construction Ltd  
 Site Address: 59-61 Oak Grove  
 Camden  
 NW 2 3LR

Detail: Typical Window Sections  
 Scale: 1:50 @ A3  
 Drawing No. 004  
 Works Order No. 4742  
 Date: 05/02/15

**CLIVNARS**  
 WINDOWS, DOORS & GLAZING  
 Pindar Road, Hoddesdon,



Client:	Hutton Construction Ltd	Detail:	Typical Door Sections
Site Address:	59-61 Oak Grove Camden NW 2 3LR	Scale:	1:50 @ A3
		Works Order No.:	4742
		Drawing No.:	005
		Date:	05/02/15

**CLIVNARS**  
WINDOW & DOOR SYSTEMS  
Pindar Road, Hoddesdon,