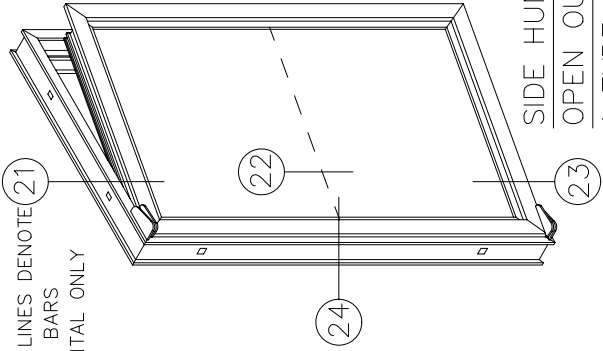
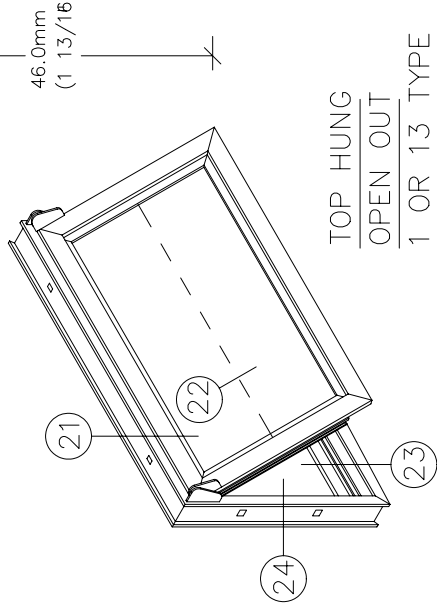


Homelight Windows

DOTTED LINES DENOTE
GLAZING BARS
HORIZONTAL ONLY

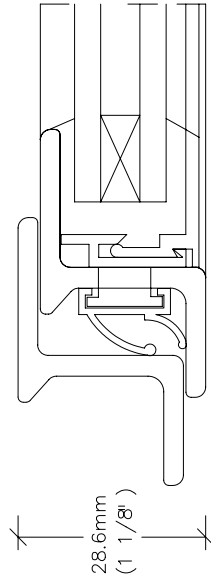


SIDE HUNG
OPEN OUT
1 TYPE
DOUBLE GLASS



TOP HUNG
OPEN OUT
1 OR 13 TYPE
DOUBLE GLASS

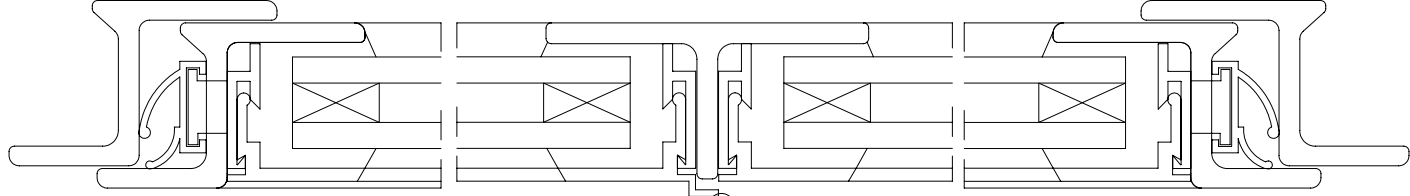
SECTION 24



28.6mm
(1 1/8")

54.3mm
(2 1/8")

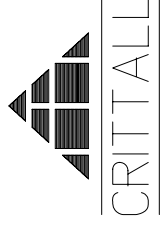
SECTION 21



SECTION 22

46.0mm
(1 13/16")

SECTION 23



STEE

B6

This drawing is the property of Crittall Windows Ltd and is a confidential document and must not be copied or its contents divulged without prior consent.