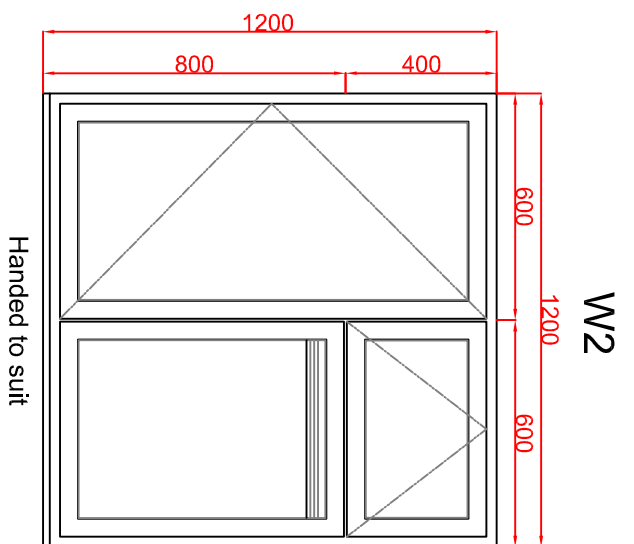


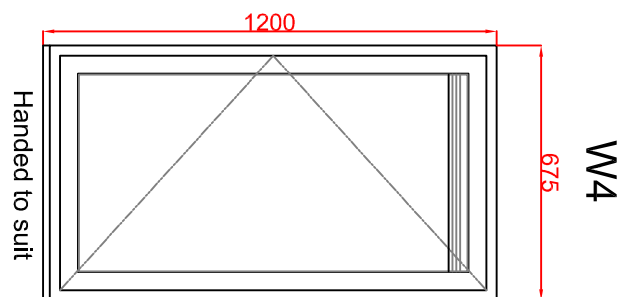
W1

Handed to suit



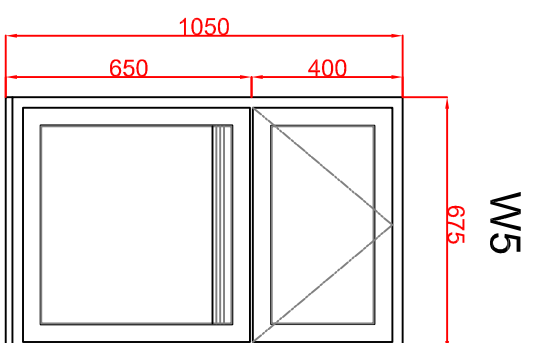
W2

Handed to suit

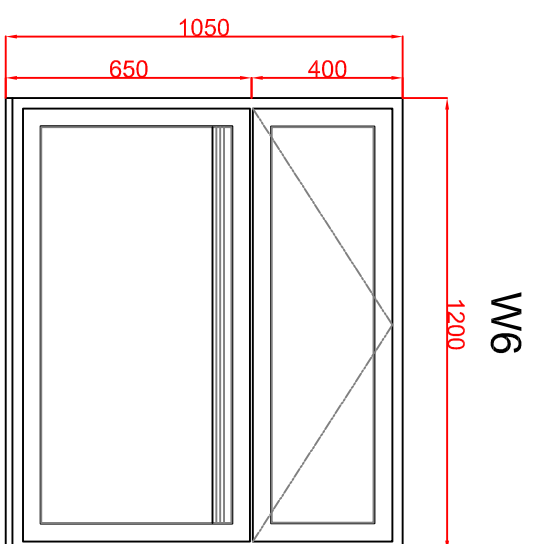


W4

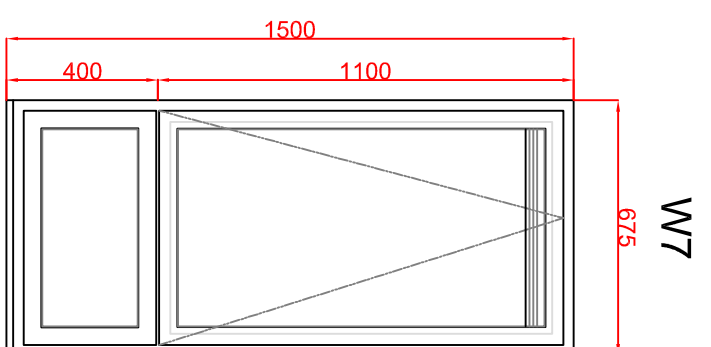
Handed to suit



W5

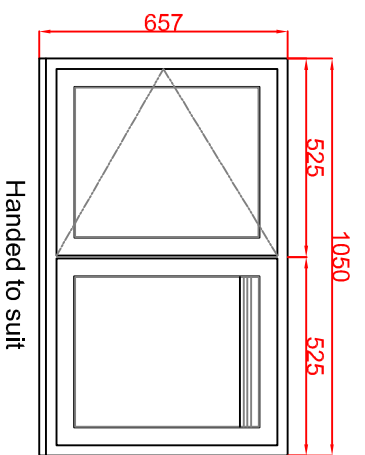


W6



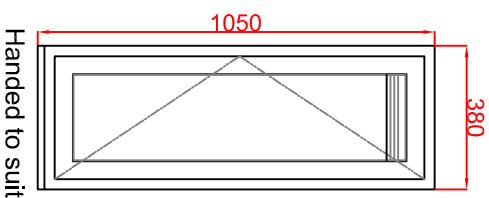
W7

W8



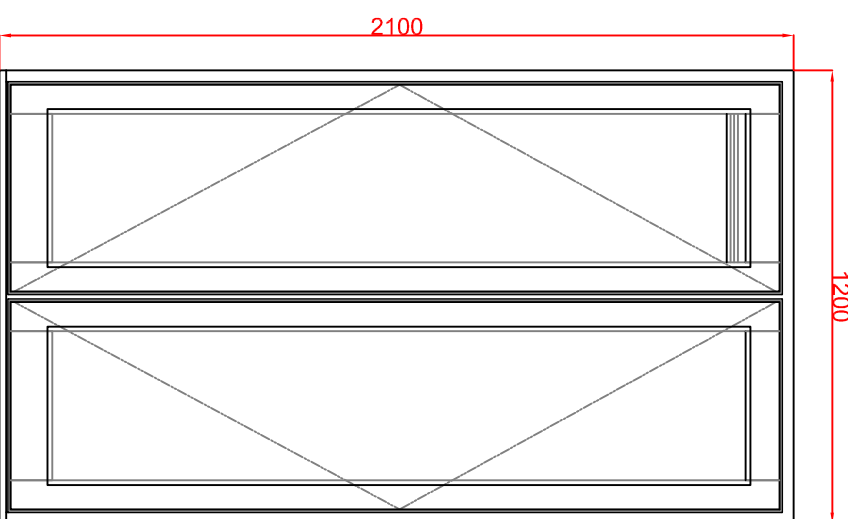
Handed to suit

W9



Handed to suit

DD1



Sovereign Group Ltd. has made every effort to ensure that the information contained on this drawing is correct, but cannot be held responsible for errors or omissions. This drawing must not be copied or used for any other purpose other than for which it is supplied without the consent from Sovereign Group Limited.



sovereign group limited

Commercial Fabricators of PVCu Windows & Doors

Head Office: Vale St, Nelson, Lancs, BB9 0TA
 T: 01282 618171
 E: sqj@sovereigndirect.co.uk
 W: WWW.SOVEREIGNDIRECT.CO.UK
 WWW.SOVEREIGNCOMMERCIAL.CO.UK

Drawn: 10 June 2015

Scale: 1:20
 Part Size: A.3
 Contract No: SC.24940/2

Title: Proposed Fenestrations
 Carnegie House

Client: L.B Camden