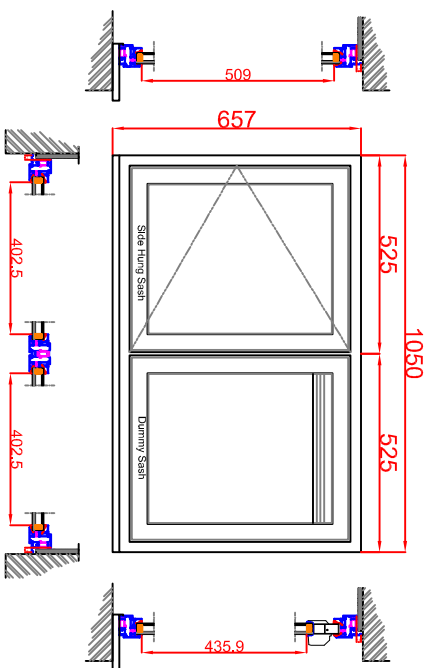
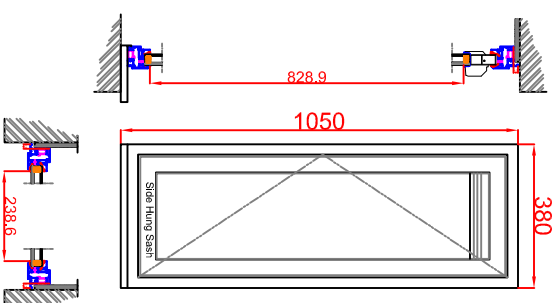


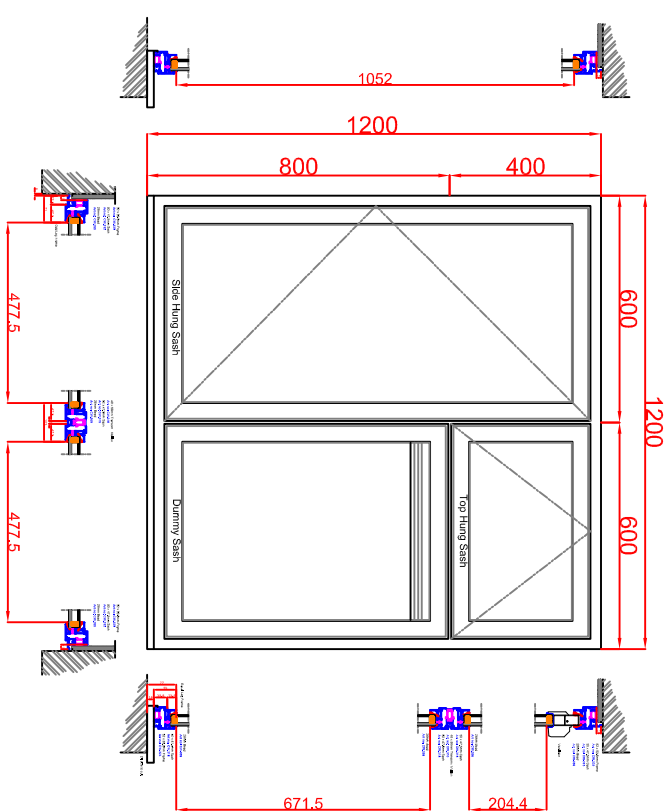
W8 (GF)



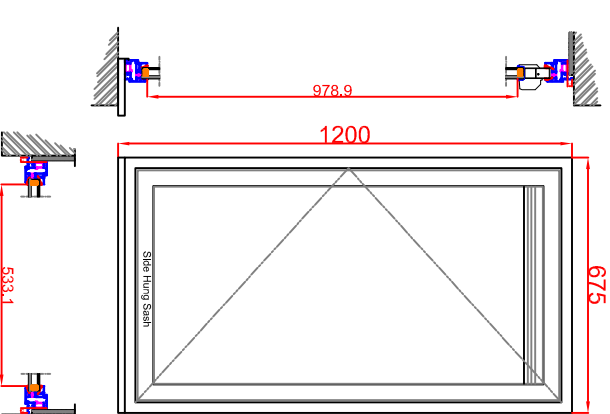
W9 (GF)



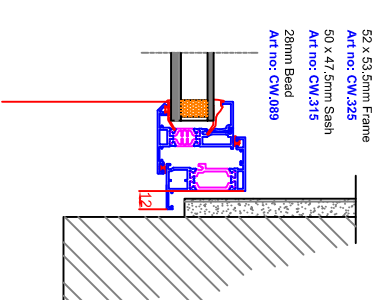
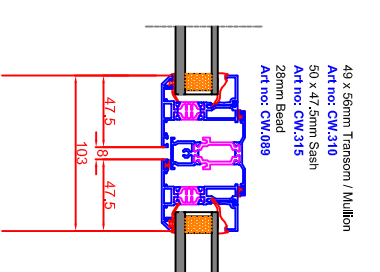
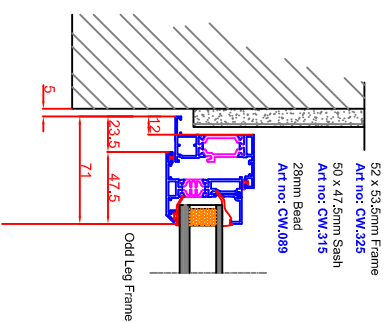
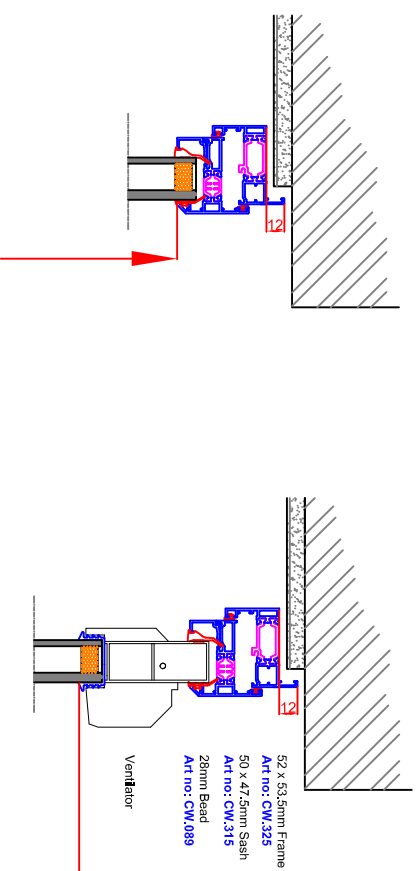
W2 (GF)



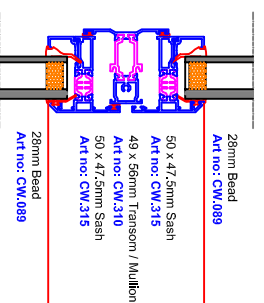
W4 (GF)



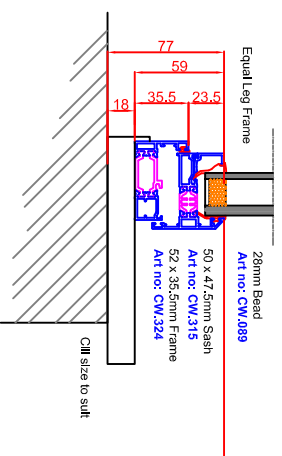
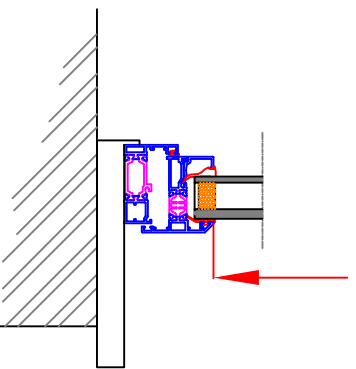
1:20



1:5

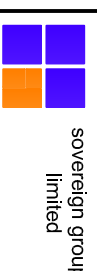


Vertical & Horizontal sections for frame type W2



Sovereign Group Ltd. has made every effort to ensure that the information contained on this drawing is correct, but cannot be held responsible for errors or omissions. This drawing must not be copied or used for any other purpose other than for which it is supplied without the consent from Sovereign Group Limited.

Project Feasibility



Drawn: **K.P. Fletcher**
Scale: **Various**
Date: **2 April 2015**

Commercial Fabricators of PVCu

Client: **Carnegie House**

Windows & Doors

Head Office: Vale St, Nelson, Lancs, B99 0TA

T: 01282 618171

F: 01282 440420

E: sgl@sovereignpvcu.co.uk

W: www.sovereignpvcu.co.uk

MW: www.sovereigncommercial.co.uk