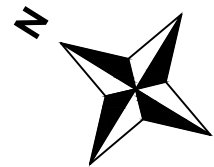
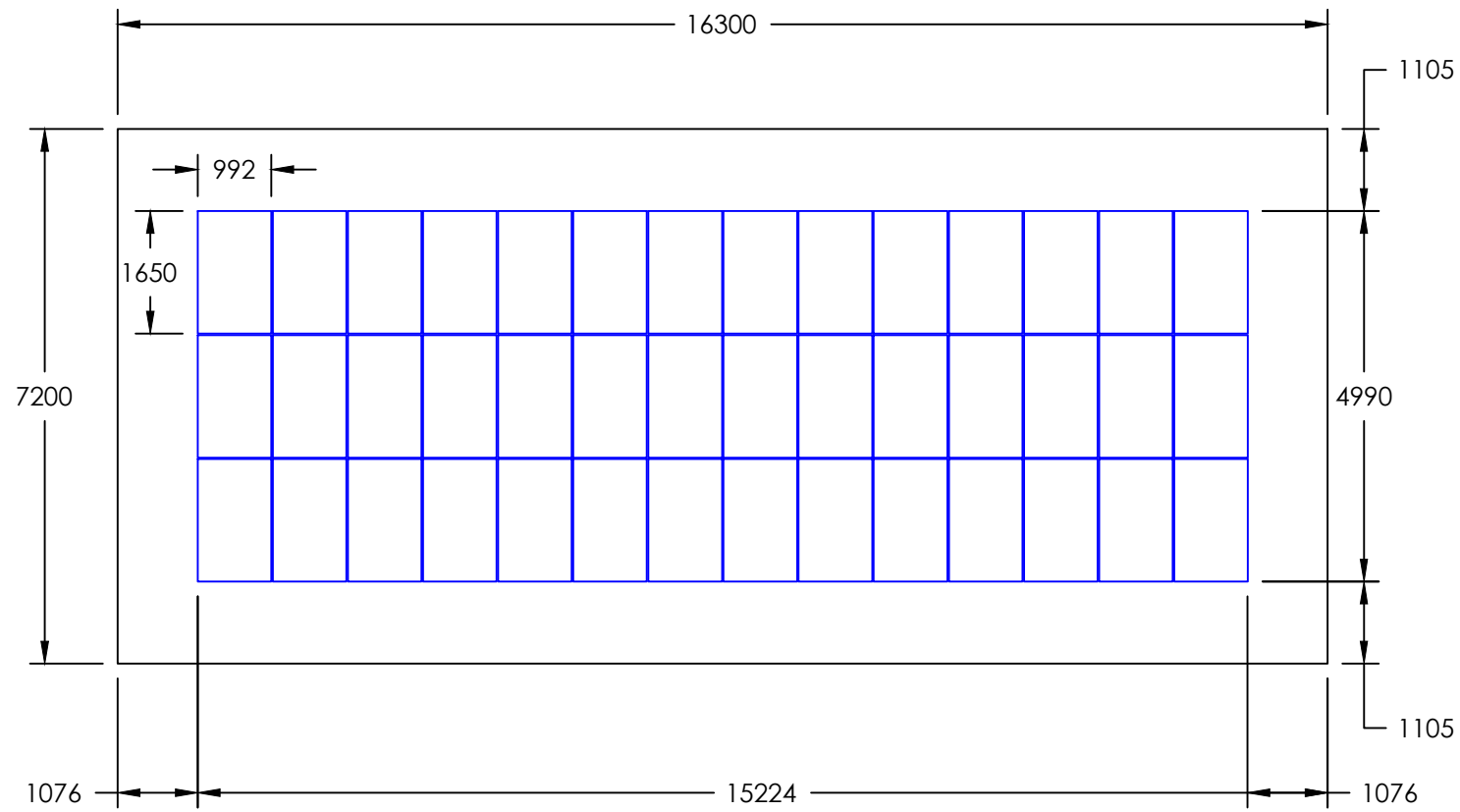
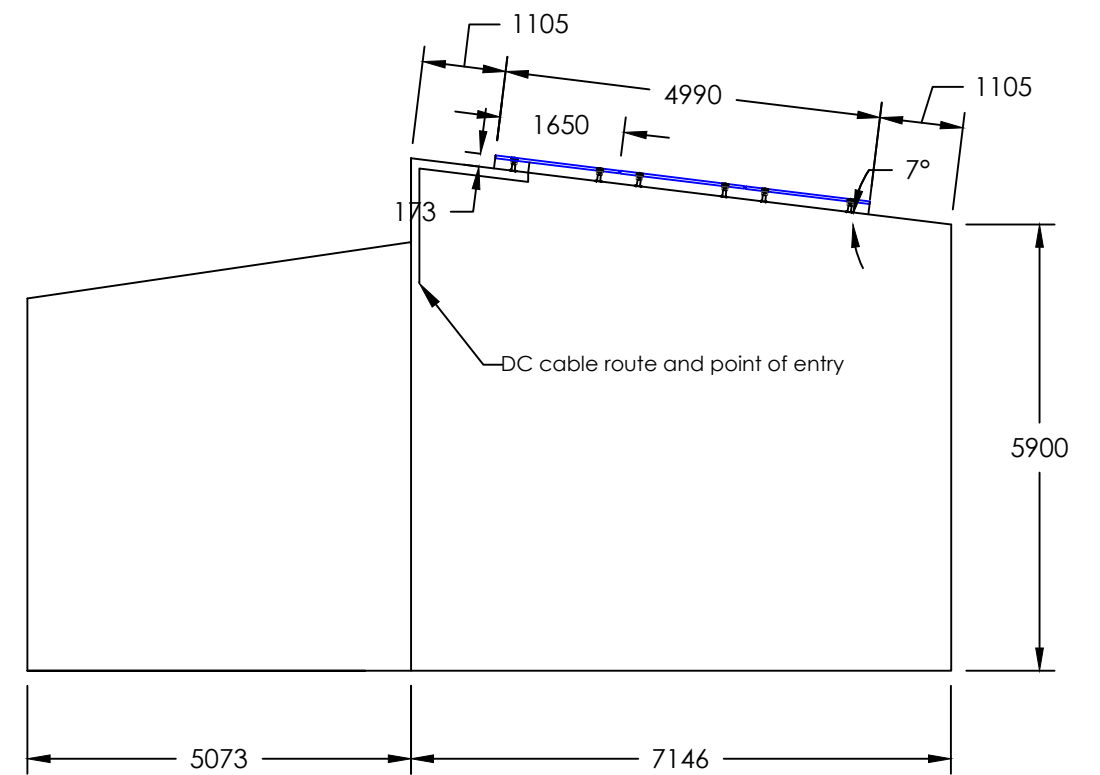


ROOF PLAN



SW SECTION



System Summary	
Block B	
Module Power (W)	270
Number of Modules	42
System Size (kWp)	11.34

- DO NOT SCALE THIS DRAWING
- DO NOT ALTER BY HAND
- THIS DRAWING IS TO BE READ IN CONJUNCTION WITH ALL OTHER RELEVANT DRAWINGS AND SPECIFICATIONS
- ALL DIMENSIONS ARE IN MILLIMETERS UNLESS STATED OTHERWISE

PROJECT PR1205 - FLEET PRIMARY	DRG NO. A3M-LHW-PR1205-BLB-RP
ADDRESS FLEET PRIMARY SCHOOL FLEET ROAD, LONDON NW3 2QT	SIZE A3
TITLE BLOCK B ROOF PLAN & SECTION	SCALE 1:100
	SHEET 1/1
	DRAWN LJ
	ISSUED APPROVAL
	CHCKD XXX
	APPRVD XXX
	DATE 11/06/15



LHW PARTNERSHIP
Luminous House
300 South Row
Milton Keynes
MK9 2FR
Tel: 01908 933 750
www.lhwp.co.uk