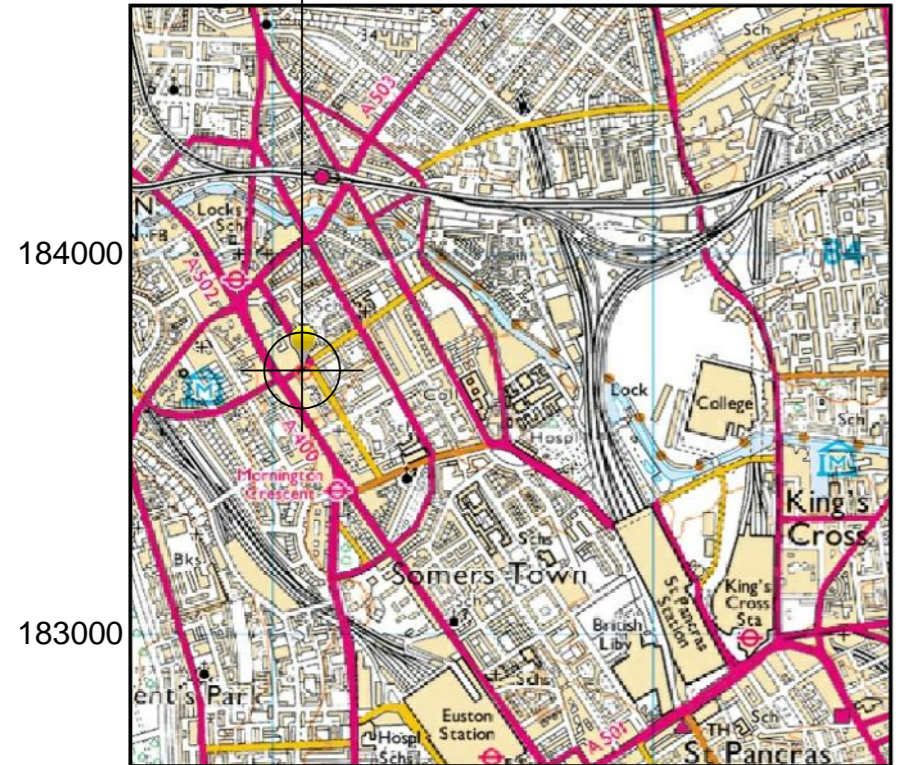




- NOTES:**
1. DRAWING TO BE READ IN CONJUNCTION WITH ALL RELEVANT DRAWINGS AND SPECIFICATIONS
 2. ALL DIMENSIONS ARE IN MILLIMETRES UNLESS OTHERWISE STATED
 3. DO NOT SCALE DRAWINGS, ALL DIMENSION TO BE CHECKED ON SITE
 4. DUCT ROUTES ARE SHOWN INDICATIVELY, ACTUAL ROUTES TO BE DETERMINED ON SITE
 5. ALL DISCREPANCIES TO BE REPORTED TO THE DESIGN ENGINEER

SITE LOCATION



GENERAL LOCATION PLAN

Ordnance Survey map extract
Grid Reference TQ2908583690
 Based upon Ordnance Survey at 1:20000 with the permission of the
 Controller of Her Majesty's Stationary Office.
 © Crown copyright.
 Licence Number: 100036358

SITE LOCATION



SITE LOCATION PLAN

Ordnance Survey map extract
Grid Reference TQ2908583690
 Based upon Ordnance Survey at 1:1250 with the permission of the
 Controller of Her Majesty's Stationary Office.
 © Crown copyright.
 Licence Number: 100036358

Issue	Comment	Date	Drawn	Approved
A	DESIGN UPGRADE	02/07/15	AB	MV



BEACONCOMMS
 UNIT E3 PITTS CLEAVE INDUSTRIAL ESTATE, TAVISTOCK, DEVON, PL19 0PW
 sales@beaconcomms.co.uk Tel: +44 (0)1822 610610

Site Name & Address:
CENTENARY HOUSE
98 CAMDEN HIGH STREET
LONDON
NW1 7JY

Title:
SITE LOCATION

Purpose of Issue:
UPGRADE OF EXISTING SITE

Drawing No:
CMN064_CENTENARY HOUSE_NW0074_001

Host Cell ID: **NW0074** MBNL Cell ID: **CMN064**

A	Scale at A3: AS SHOWN	Checked: TGC	Date: 02/07/15
	Drawn: AB	Date: 02/07/15	Approved: MV

Beacon ref: 28589



GDC required to determine whether existing structure can withstand proposed loading



Ground 0m

Distribution board

Cable tray

Huawei 3900A cabinet

Existing Node B cabinet to be removed and replace with 42U DUO cabinet on existing steel frame

Roof level +13m AGL

Roof access

Existing flagpole antenna to be removed

Existing pole mount to be adapted to match existing antenna height

Proposed head frame adapter kit to be installed on adapted pole mount using spigot adapter

Proposed 3No. Commscope RVVPX305.10R3 antenna's with new pole mount's

Proposed 3No. LTE800 & LTE1800 MHA's

- NOTES:**
1. DRAWING TO BE READ IN CONJUNCTION WITH ALL RELEVANT DRAWINGS AND SPECIFICATIONS
 2. ALL DIMENSIONS ARE IN MILLIMETRES UNLESS OTHERWISE STATED
 3. DO NOT SCALE DRAWINGS, ALL DIMENSION TO BE CHECKED ON SITE
 4. DUCT ROUTES ARE SHOWN INDICATIVELY, ACTUAL ROUTES TO BE DETERMINED ON SITE
 5. ALL DISCREPANCIES TO BE REPORTED TO THE DESIGN ENGINEER
- KEY**
 INDICATES PROPOSED / REPLACEMENT EQUIPMENT

WORKS DETAIL:

CABINET	DUO - 1200W x 750D x 2190H
ANTENNAS	EXISTING TO BE SWAPPED FOR COMMSCOPE RVVPX305.10R3
MHA'S	RETAIN EXISTING / ADD LTE800 & LTE1800
POWER	AC + BREAKER (CRABTREE)
COOLING	N/A (OUTDOOR CABINET)
OTHER	12NO. FEEDER / HFAK / POLE MOUNTS

A	DESIGN UPGRADE	02/07/15	AB	MV
Issue	Comment	Date	Drawn	Approved



BEACONCOMMS
 UNIT E3 PITTS CLEAVE INDUSTRIAL ESTATE, TAVISTOCK, DEVON, PL19 0PW
 sales@beaconcomms.co.uk Tel: +44 (0)1822 610610

Site Name & Address:
 CENTENARY HOUSE
 98 CAMDEN HIGH STREET
 LONDON
 NW1 7JY

SITE LAYOUT

Purpose of Issue:
UPGRADE OF EXISTING SITE

Drawing No:
CMN064_CENTENARY HOUSE_NW0074_002

Host Cell ID: NW0074	MBNL Cell ID: CMN064
--------------------------------	--------------------------------

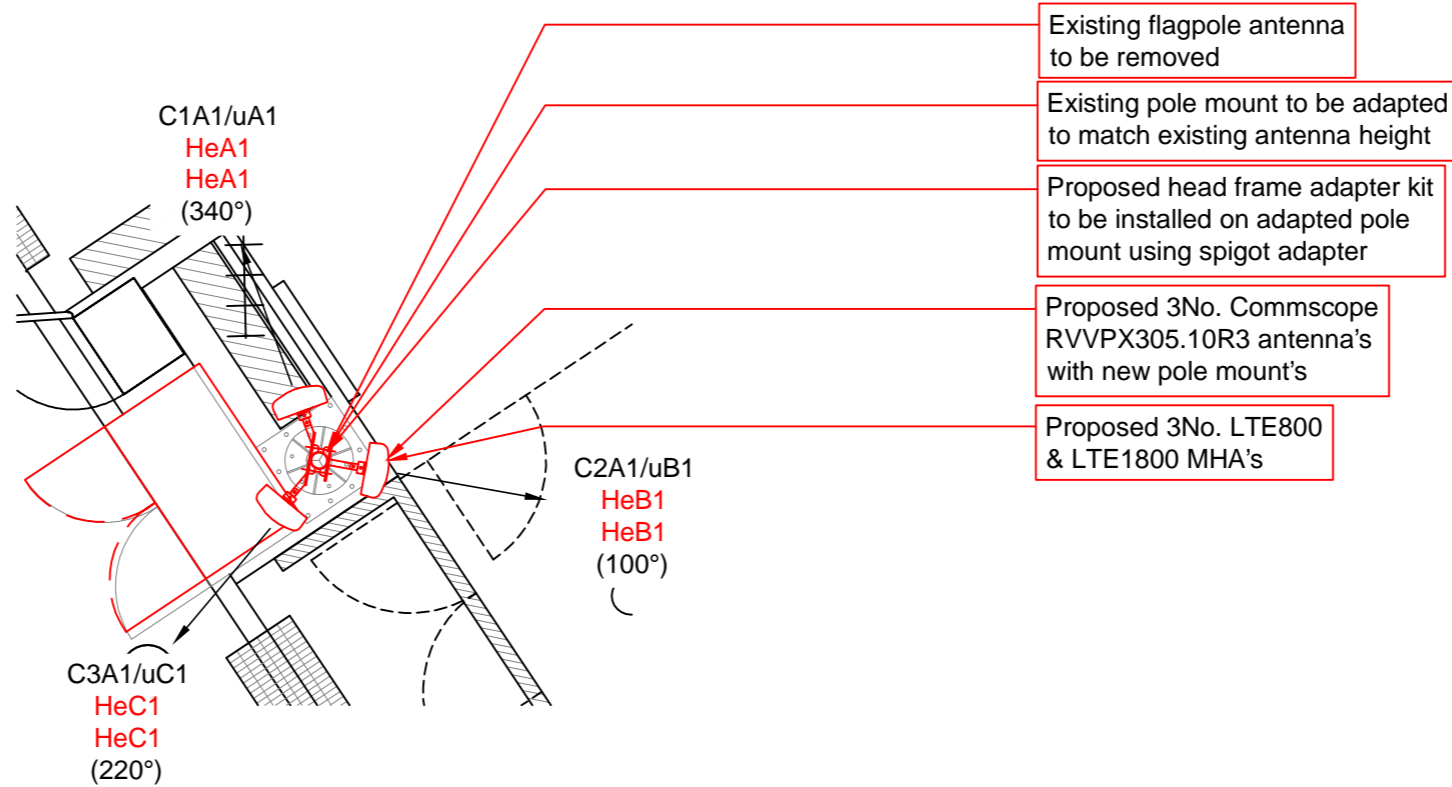
Issue: A	Scale at A3: AS SHOWN	Checked: TGC	Date: 02/07/15
Drawn: AB	Date: 02/07/15	Approved: MV	Date: 02/07/15

SITE PLAN
Scale 1:50

Beacon ref: 28589



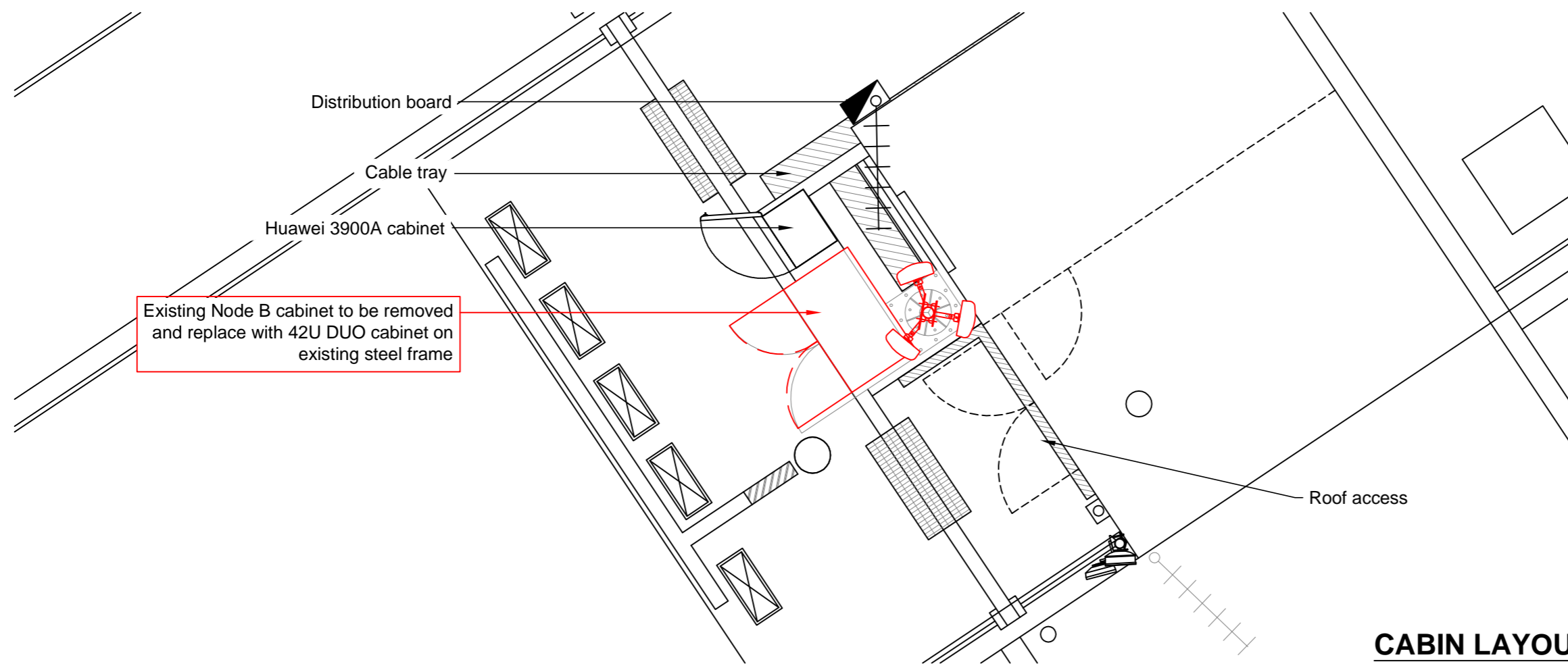
GDC required to determine whether existing structure can withstand proposed loading



- Existing flagpole antenna to be removed
- Existing pole mount to be adapted to match existing antenna height
- Proposed head frame adapter kit to be installed on adapted pole mount using spigot adapter
- Proposed 3No. Commscope RVVPX305.10R3 antenna's with new pole mount's
- Proposed 3No. LTE800 & LTE1800 MHA's

ANTENNA DETAILS

Scale 1:50



Existing Node B cabinet to be removed and replace with 42U DUO cabinet on existing steel frame

CABIN LAYOUT

Scale 1:50

- NOTES:**
- DRAWING TO BE READ IN CONJUNCTION WITH ALL RELEVANT DRAWINGS AND SPECIFICATIONS
 - ALL DIMENSIONS ARE IN MILLIMETRES UNLESS OTHERWISE STATED
 - DO NOT SCALE DRAWINGS, ALL DIMENSION TO BE CHECKED ON SITE
 - DUCT ROUTES ARE SHOWN INDICATIVELY, ACTUAL ROUTES TO BE DETERMINED ON SITE
 - ALL DISCREPANCIES TO BE REPORTED TO THE DESIGN ENGINEER
- KEY**
— INDICATES PROPOSED / REPLACEMENT EQUIPMENT

WORKS DETAIL:

CABINET	DUO - 1200W x 750D x 2190H
ANTENNAS	EXISTING TO BE SWAPPED FOR COMMSCOPE RVVPX305.10R3
MHA'S	RETAIN EXISTING / ADD LTE800 & LTE1800
POWER	AC + BREAKER (CRABTREE)
COOLING	N/A (OUTDOOR CABINET)
OTHER	12NO. FEEDER / HFAK / POLE MOUNTS

A	DESIGN UPGRADE	02/07/15	AB	MV
Issue	Comment	Date	Drawn	Approved



BEACONCOMMS
 UNIT E3 PITTS CLEAVE INDUSTRIAL ESTATE, TAVISTOCK, DEVON, PL19 0PW
 sales@beaconcomms.co.uk Tel: +44 (0)1822 610610

Site Name & Address:
CENTENARY HOUSE
 98 CAMDEN HIGH STREET
 LONDON
 NW1 7JY

EQUIPMENT LAYOUT

Purpose of Issue:
UPGRADE OF EXISTING SITE

Drawing No:
CMN064_CENTENARY HOUSE_NW0074_003

Host Cell ID: **NW0074** MBNL Cell ID: **CMN064**

A	Scale at A3: AS SHOWN	Checked: TGC	Date: 02/07/15
	Drawn: AB	Date: 02/07/15	Approved: MV

Beacon ref: 28589

GDC required to determine whether existing structure can withstand proposed loading

Existing flagpole antenna to be removed

Existing pole mount to be adapted to match existing antenna height

Proposed head frame adapter kit to be installed on adapted pole mount using spigot adapter

Proposed 3No. Commscope RVVPX305.10R3 antenna's with new pole mount's

Proposed 3No. LTE800 & LTE1800 MHA's

Existing Node B cabinet to be removed and replace with 42U DUO cabinet on existing steel frame

C/L of antenna +17.8m AGL

Distribution board

Huawei 3900A cabinet

Roof +13m AGL

Ground +0m

- NOTES:**
- DRAWING TO BE READ IN CONJUNCTION WITH ALL RELEVANT DRAWINGS AND SPECIFICATIONS
 - ALL DIMENSIONS ARE IN MILLIMETRES UNLESS OTHERWISE STATED
 - DO NOT SCALE DRAWINGS, ALL DIMENSION TO BE CHECKED ON SITE
 - DUCT ROUTES ARE SHOWN INDICATIVELY, ACTUAL ROUTES TO BE DETERMINED ON SITE
 - ALL DISCREPANCIES TO BE REPORTED TO THE DESIGN ENGINEER
- KEY**
█ INDICATES PROPOSED / REPLACEMENT EQUIPMENT

WORKS DETAIL:

CABINET	DUO - 1200W x 750D x 2190H
ANTENNAS	EXISTING TO BE SWAPPED FOR COMMSCOPE RVVPX305.10R3
MHA'S	RETAIN EXISTING / ADD LTE800 & LTE1800
POWER	AC + BREAKER (CRABTREE)
COOLING	N/A (OUTDOOR CABINET)
OTHER	12NO. FEEDER / HFAK / POLE MOUNTS

A	DESIGN UPGRADE	02/07/15	AB	MV
Issue	Comment	Date	Drawn	Approved



Site Name & Address:
CENTENARY HOUSE
 98 CAMDEN HIGH STREET
 LONDON
 NW1 7JY

Title:
SITE ELEVATION

Purpose of Issue:
 UPGRADE OF EXISTING SITE

Drawing No:
 CMN064_CENTENARY HOUSE_NW0074_004

Host Cell ID: **NW0074** MBNL Cell ID: **CMN064**

A	Scale at A3: AS SHOWN	Checked: TGC	Date: 02/07/15
	Drawn: AB	Date: 02/07/15	Approved: MV

Beacon ref: 285589

ELEVATION
 Scale 1:100

100mm
50mm
10mm

EXISTING ANTENNA TABLE


	BEARING (°)	MID ANTENNA HEIGHT (m)	OVERALL FEEDER LENGTH (m)			MAIN FEEDER TYPE			MHA	ANTENNA MANUFACTURER	MODEL NUMBER	RET
			2G/3G	2G/3G	2G/3G	2G/3G	2G/3G	2G/3G				
C1A1/uA1	340	17.8	8			LDF 5-50			Yes	Argus	NNOX310RV1	No
C2A1/uB1	100	17.8	8			LDF 5-50			Yes	Argus	NNOX310RV1	No
C3A1/uC1	220	17.8	8			LDF 5-50			Yes	Argus	NNOX310RV1	No

NOTE: ALL BEARINGS MEASURED EAST OF GRID NORTH
FEEDER LENGTH SHOWN IS ONLY APPROXIMATE AND SHOULD BE CHECKED BY RIGGING CONTRACTOR PRIOR TO WORK COMMENCING

PROPOSED ANTENNA TABLE

	BEARING (°)	MID ANTENNA HEIGHT (m)	OVERALL FEEDER LENGTH (m)			MAIN FEEDER TYPE			MHA			ANTENNA MANUFACTURER	MODEL NUMBER	RET
			2G/3G	1800	800	2G/3G	1800	800	2G/3G	1800	800			
C1A1/uA1 HeA1 HeA1	340	17.8	8	8	8	LDF 5-50	LDF 5-50	LDF 5-50	Yes	1800	800	Commscope	RVVPX305.10R3	Yes
C2A1/uB1 HeB1 HeB1	100	17.8	8	8	8	LDF 5-50	LDF 5-50	LDF 5-50	Yes	1800	800	Commscope	RVVPX305.10R3	Yes
C3A1/uC1 HeC1 HeC1	220	17.8	8	8	8	LDF 5-50	LDF 5-50	LDF 5-50	Yes	1800	800	Commscope	RVVPX305.10R3	Yes

NOTE: ALL BEARINGS MEASURED EAST OF GRID NORTH
FEEDER LENGTH SHOWN IS ONLY APPROXIMATE AND SHOULD BE CHECKED BY RIGGING CONTRACTOR PRIOR TO WORK COMMENCING

- NOTES:**
- DRAWING TO BE READ IN CONJUNCTION WITH ALL RELEVANT DRAWINGS AND SPECIFICATIONS
 - ALL DIMENSIONS ARE IN MILLIMETRES UNLESS OTHERWISE STATED
 - DO NOT SCALE DRAWINGS, ALL DIMENSION TO BE CHECKED ON SITE
 - DUCT ROUTES ARE SHOWN INDICATIVELY, ACTUAL ROUTES TO BE DETERMINED ON SITE
 - ALL DISCREPANCIES TO BE REPORTED TO THE DESIGN ENGINEER
- KEY**
 INDICATES PROPOSED / REPLACEMENT EQUIPMENT

A	DESIGN UPGRADE	02/07/15	AB	MV
Issue	Comment	Date	Drawn	Approved



Site Name & Address:
 CENTENARY HOUSE
 98 CAMDEN HIGH STREET
 LONDON
 NW1 7JY

Title:
ANTENNA DETAILS

Purpose of Issue:
 UPGRADE OF EXISTING SITE

Drawing No:
 CMN064_CENTENARY HOUSE_NW0074_005

Host Cell ID: **NW0074** MBNL Cell ID: **CMN064**

A	Scale at A3: AS SHOWN	Checked: TGC	Date: 02/07/15
	Drawn: AB	Date: 02/07/15	Approved: MV

Beacon ref: 28589

100mm

50mm

10mm