

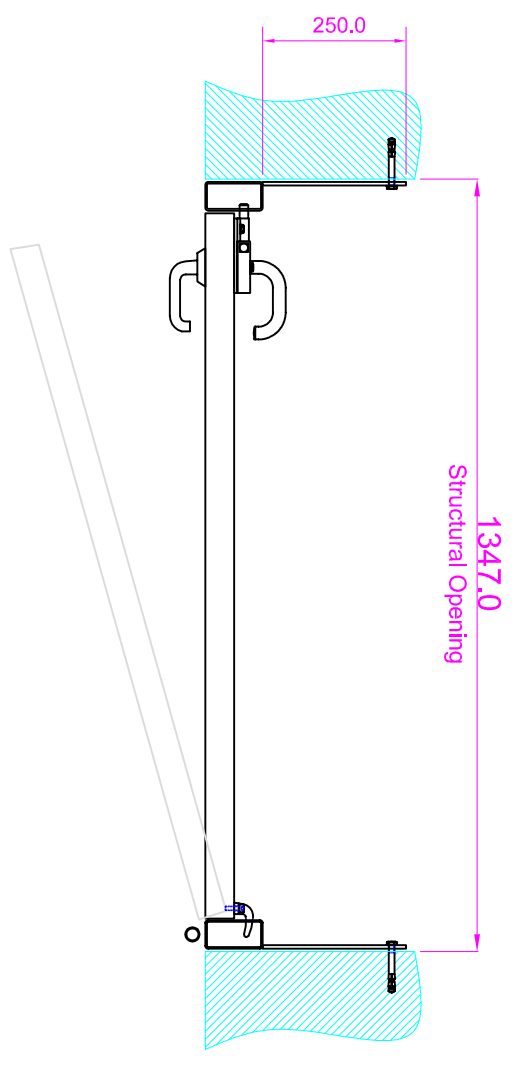
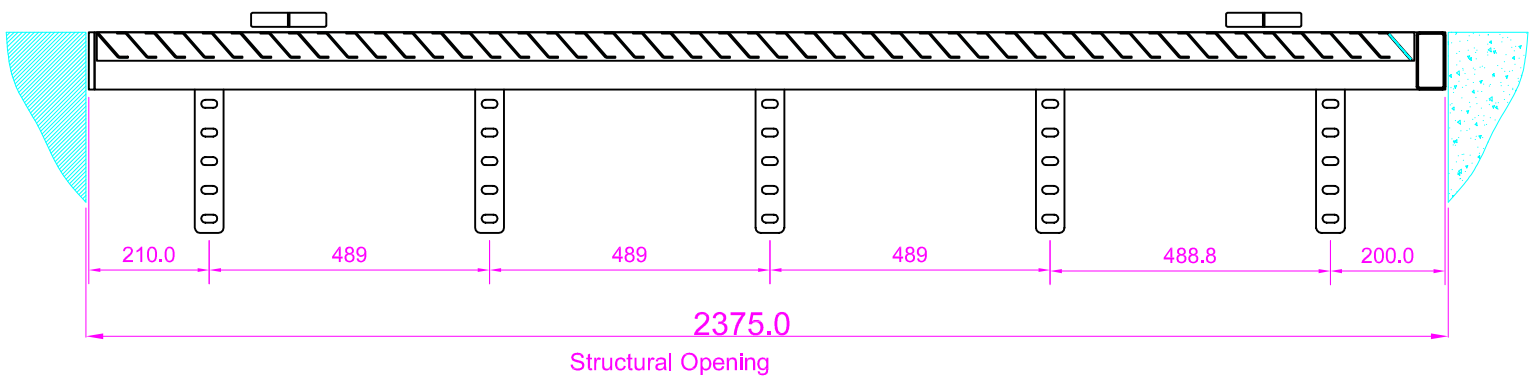
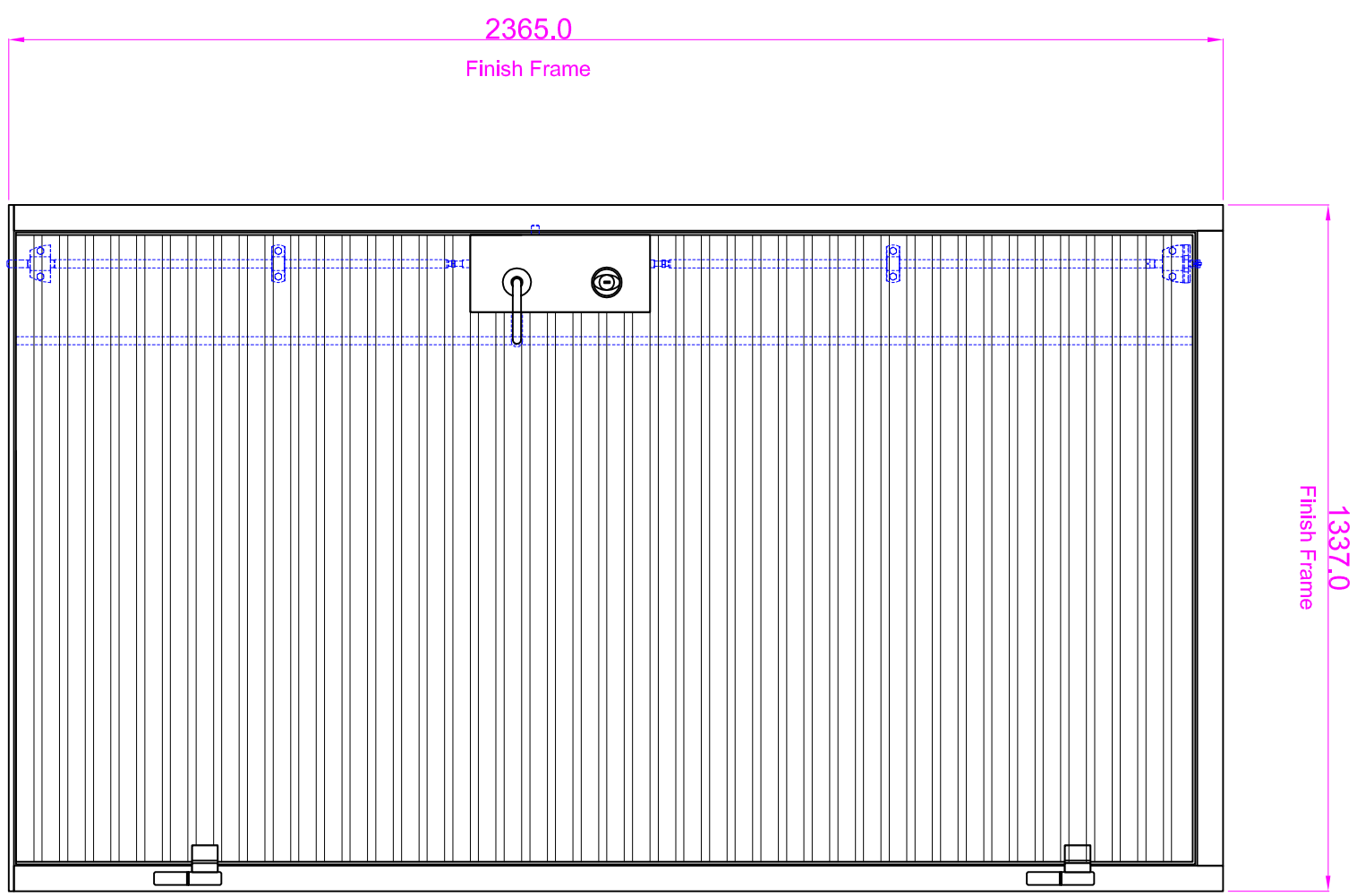
COMMENTS

FINISH	
POWDER COATED	
RAL/BS	RAL 7016 Anthracite grey matt

STRUCTURAL OPENING	
WIDTH	HEIGHT
1347	2375
FINISHED FRAME SIZE	
WIDTH	HEIGHT
1337	2365

INTERNAL & EXTERNAL LOCK OPTIONS

Locking:
 Surelock McGill Slimline SL311, three point manual deadlocking & auto bolting locking system; internal Abloy Protec CY405 Rim cylinder and lever handle; external SR3 cylinder guard with Abloy Protec CY405 Rim cylinder and lever handle; Internal and external cylinders keyed alike



DRAWING NUMBER		REVISION	
42426 - 1		A	
SCALE :-	NOT TO SCALE	DRAWN BY :-	M.S
THIS PRINT IS LOANED - NOT GIVEN SOLELY FOR YOUR CONFIDENTIAL INFORMATION AND MUST NOT BE COPIED OR REPRODUCED NOR ANY INFORMATION DISCLOSED WITHOUT THE WRITTEN CONSENT OF SUNRAY ENGINEERING LIMITED			

SUNRAY ENGINEERING LIMITED
 Kingsnorth Industrial Estate, Wolton Road, Ashford, Kent TN23 6LL
 Tel: 01233 639039 Fax: 01233 625137
 E-Mail: sales@sunraydoors.co.uk
 Website: www.sunraydoors.co.uk

APPROVAL DATE				
PRINT NAME				
CLIENTS APPROVAL SIGNATURE				
LINE No-	1	QUANTITY-	1	
DOOR REF:-	ED02			
QUOTE No:-	42426			
SITE:-	Apartments at Oak Grove, Camden			
CLIENT:-	Hulton Construction Ltd			
REV	DATE	DESCRIPTION	CHKD	APPRD
A	19.06.15	ORIGINAL		