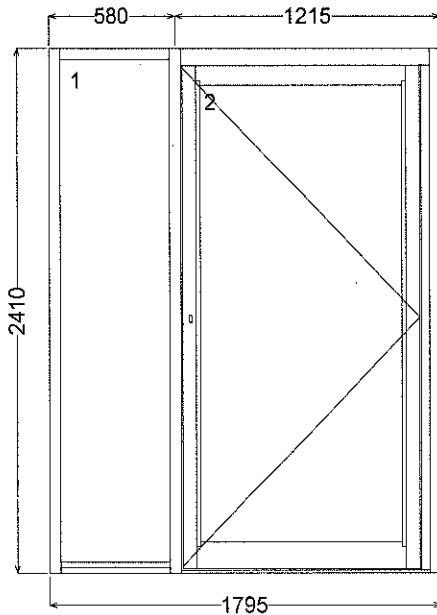


Q50016

TYPE 01

Quantity : 1

Hutton Group



Service	Glazed
Width	1795
Height	2410
Range	SBS-iX-0403-2015
System	STORMFRAME
Frame model	ST408 Composite Frame
Glazing beads	STANDARD BEADS
Dimension method	Outside measurement material
Mitred	Standard
Square Cut	Standard
Colour	SP [Single Colour]
Elevation Viewed	Outside

1. Fixed light	202/13 Flushbolts in Etched Silver
6/16/6.4 TG/LAM-SCA-SwissV	202/211 Hook Lock + Threshold Bolt
2. RH ANTIFINGERTRAP + ST409 Stile 1155	Handle interior + exterior
Doma DDA Closer (Uses Profile ST415)	202/107 2095mm Tube
90 Hold Open	Handle in SP
End Load Arm	No Additional Hook Locks
Standard Cylinder	6/16/6.4 TG/LAM-SCA-SwissV
202/68 Cylinder guard	

Messages

Stile Length Over 2150mm - No Weather Performance

Outer frames

Part No.	Colour	Description	Qty.	Dim.			Pos.	
2709	ES	THRESHOLD	1	1,140.0			B	
ST406	SP	POCKET TRANSOM/CILL	1	505.0			B	
ST408	SP	STANDARD MULLION	1	505.0			T	
ST408	SP	STANDARD MULLION	2	2,410.0				
ST510	SP	E A COMPLIANT DOOR CLOSER TRANSOM	1	1,140.0			T	

Mullion/Transom

Part No.	Colour	Description	Qty.	Dim.			Pos.	
ST408	SP	STANDARD MULLION	1	2,410.0			270.0	

Opening vents

Part No.	Colour	Description	Qty.	Dim.			Pos.	
ST401	SP	TOP RAIL	1	960.5			T	2
ST402	SP	BOTTOM RAIL	1	960.5			B	2
ST409	SP	STANDARD STILE	1	2,310.0			L	2
ST410	ML	AFT STILE	1	2,310.0			R	2

Glazing beads and set up profiles

Part No.	Colour	Description	Qty.	Dim.			Pos.	
ST223	SP	BEAD	2	965.5				
ST223	SP	BEAD	2	2,104.0				
ST224	SP	POCKET BEAD	1	510.0			B	1

Additional profiles

Q50016

TYPE 01

Quantity : 1

Hutton Group

Part No.	Colour	Description	Qty.	Dim.			Pos.	
2816	SP	WEATHER BAR	1	1,018.0	38.0	38.0	B	2
ST201	SP	MULLION BACKPLATE	1	2,410.0			L	
ST201	SP	MULLION BACKPLATE	1	2,410.0			L	
ST222	SP	AFT ADAPTOR	1	2,310.0			R	2
ST222	SP	AFT ADAPTOR	1	2,310.0			R	2
ST223	SP	BEAD	1	2,104.0			R	2
ST223	SP	BEAD	1	2,104.0			L	2
ST404	SP	AFT JAMB ADAPTOR	1	2,321.0			R	2
ST407	SP	WEATHER CLOSER PLATE	1	865.0			T	
STP210-10	BK	STILE NOSE TRIM PACK	1	2,310.0			L	2
STP211-BK-10	BK	WEATHER STRIP CARRIER PACK	1	1,087.0			B	2
STP217-10	BK	POCKET FILLER PACK	1	2,331.0			L	2
STP237-10	BK	AFT STILE NOSE TRIM PACK	1	2,310.0			R	2

Accessories

Part No.	Colour	Description	Qty.	Dim.			Pos.	
202/107_SP	SP	TUBE HANDLE COMPLETE 2095mm	2					
202/188	N/A	CONCEALED CLOSER 90deg HOLD OPEN (EN1 TO EN4)	1					2
202/211	N/A	HOOK DEADLOCK 40mm BACKSET	1					2
202/234	N/A	DORMA ANTI FINGER TRAP CLOSER ARM	1					2
202/505	N/A	HPD THRESHOLD BOLT	2					
202/68	S	CYLINDER GUARD S/S	1					2
202/7002	N/A	4mm WASHER PACKER	1					2
202/81/ML	ML	PACKING PLATE FOR SIDE LOAD ARM	1					2
204/28/1/ES	ES	EURO PROFILE CYLINDER	1					2
DFP141-1000	N/A	SPRING CLIPS PACK	2					
DFP199-100	N/A	No.8 X 2" PAN POZI S/T S/S SCREW PACK	3					
DFP267-1000	BK	HOLE PLUG 9mm PACK	3					
DFP478-100	N/A	No.8 X 1/2" CSK POZI S/T S/S SCREW PACK TYPE B	8					
DFP508-100	N/A	No.10 X 3/4" PAN POZI S/T S/S SCREW PACK	1					2
DFP619-100	N/A	No.8 X 2" CSK POZI S/T S/S SCREW PACK	4					
MM616HSS	N/A	M6 X 16 HEX HEAD S/S MACHINE SCREW	4					
NM6ZN	N/A	NUTSERT M6 ZINC PLATED	4					
ST612PPSS	N/A	No.6 X 1/2" PAN POZI S/T S/S SCREW (TYPE AB)	5					
STC193	SP	CLOSER COVER PLATE - EQUALITY ACT COMPLIANT	1					
STP103-10	N/A	BOTTOM SHOE TAPPING PLATE PACK	1					2
STP104-10	N/A	TOP ARM TAPPING PLATE PACK	1					2
STP111-1000	N/A	BOTTOM SHOE SPACER PACK	1					
STP112	BK	MASTER LEAF ACCESSORY PACK	1					2
STP115-100	N/A	M6 X 25 CSK POZI S/S MACHINE SCREW PACK	4					
STP119-100	N/A	M5 X 45 CSK POZI S/S MACHINE SCREW PACK	1					2
STP121-100	N/A	8/32" UNC X 5/16" CSK S/S MACHINE SCREW PACK	3					
STP122-100	N/A	No.12 X 1 1/2" PAN POZI S/T S/S SCREW PACK	4					
STP123-100	N/A	No.12 X 1" PAN POZI S/T S/S SCREW PACK	11					

Q50016	TYPE 01	Quantity : 1	Hutton Group
--------	---------	--------------	--------------

Part No.	Colour	Description	Qty.	Dim.		Pos.
STP126-50	N/A	ADJUSTABLE GLAZING PACKER PACK	2			
STP127-100	N/A	M6 PLAIN S/S WASHER PACK	2			
STP144-100	N/A	No.8 X 1 3/4" PAN POZI S/T S/S SCREW PACK	5			
STP156-100	N/A	M5 PLAIN S/S WASHER PACK	2			
STP201	N/A	ARMOUR STRIKE PACK (SINGLE DOOR)	1			2

Gaskets

Part No.	Colour	Description	Qty.	Dim.		Pos.
105/54	GY	WOOLPILE 6.9 X 9.0 WITH FIN (M)	1	2.28 M		
STC110	BK	QLON 69 950 (350M)	1	9.26 M		2
STC164/100M/BK	BK	FLIPPER SEAL	1	2.17 M		2
W264	BK	GLAZING WEDGE - BLACK (100M)	1	11.47 M		1
W266BK	BK	GLAZING WEDGE (100M)	1	6.20 M		2
W274/100M/BK	BK	E GASKET	1	6.20 M		2

Fillings

Qty.	Part No.	Description	Width	Height	
1	28mm @ 55.9	6/16/6.4 TG/LAM-SCA-SwissV	524	2,329	1-0
1	28mm @ 55.9	6/16/6.4 TG/LAM-SCA-SwissV	955	2,134	2-0

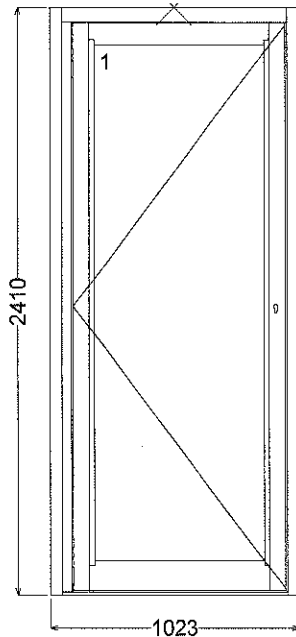
(1) -> Glazing price not found

Q50016

TYPE 03

Quantity : 1

Hutton Group



Service	Glazed
Width	1023
Height	2410
Range	SBS-iX-0403-2015
System	STORMFRAME
Frame model	ST408 Door Frame
Glazing beads	STANDARD BEADS
Dimension method	Outside measurement material
Mitred	Standard
Square Cut	Standard
Colour	SP [Single Colour]
Elevation Viewed	Outside

1. LH ANTIFINGERTRAP + ST409 Stile 1163	202/211 Hook Lock + Threshold Bolt
Dorma DDA Closer (Uses Profile ST415)	Handle interior + exterior
90 Hold Open	202/107 2095mm Tube
End Load Arm	Handle in SP
Standard Cylinder	No Additional Hook Locks
202/68 Cylinder guard	6/16/6.4 TG/LAM-SCA-SwissV
202/13 Flushbolts in Etched Silver	

Messages
Warning - Normal Transom will not work with DDA Closer
Stile Length Over 2150mm - No Weather Performance

Outer frames

Part No.	Colour	Description	Qty.	Dim.			Pos.	
2709	ES	THRESHOLD	1	923.0			B	
ST408	SP	STANDARD MULLION	2	2,410.0				
ST511	SP	DOOR CLOSER TRANSOM	1	923.0			T	

Opening vents

Part No.	Colour	Description	Qty.	Dim.			Pos.	
ST401	SP	TOP RAIL	1	743.5			T	1
ST402	SP	BOTTOM RAIL	1	743.5			B	1
ST409	SP	STANDARD STILE	1	2,326.0			R	1
ST410	ML	AFT STILE	1	2,326.0			L	1

Glazing beads and set up profiles

Part No.	Colour	Description	Qty.	Dim.			Pos.	
ST223	SP	BEAD	2	748.5				
ST223	SP	BEAD	2	2,120.0				

Additional profiles

Part No.	Colour	Description	Qty.	Dim.			Pos.	
2816	SP	WEATHER BAR	1	801.0	38.0	38.0	B	1
ST222	SP	AFT ADAPTOR	1	2,326.0			L	1
ST222	SP	AFT ADAPTOR	1	2,326.0			L	1
ST223	SP	BEAD	1	2,120.0			R	1

Q50016	TYPE 03	Quantity : 1	Hutton Group
--------	---------	--------------	--------------

Part No.	Colour	Description	Qty.	Dim.			Pos.	
ST223	SP	BEAD	1	2,120.0			L	1
ST404	SP	AFT JAMB ADAPTOR	1	2,337.0			L	1
ST407	SP	WEATHER CLOSER PLATE	1	573.0			T	
STP210-10	BK	STILE NOSE TRIM PACK	1	2,326.0			R	1
STP211-BK-10	BK	WEATHER STRIP CARRIER PACK	1	870.0			B	1
STP217-10	BK	POCKET FILLER PACK	1	2,347.0			R	1
STP237-10	BK	AFT STILE NOSE TRIM PACK	1	2,326.0			L	1

Accessories

Part No.	Colour	Description	Qty.	Dim.			Pos.	
202/107_SP	SP	TUBE HANDLE COMPLETE 2095mm	2					
202/188	N/A	CONCEALED CLOSER 90deg HOLD OPEN (EN1 TO EN4)	1					1
202/211	N/A	HOOK DEADLOCK 40mm BACKSET	1					1
202/234	N/A	DORMA ANTI FINGER TRAP CLOSER ARM	1					1
202/505	N/A	HPD THRESHOLD BOLT	2					
202/68	S	CYLINDER GUARD S/S	1					1
202/7002	N/A	4mm WASHER PACKER	1					1
202/81/ML	ML	PACKING PLATE FOR SIDE LOAD ARM	1					1
204/28/1/ES	ES	EURO PROFILE CYLINDER	1					1
DFP141-1000	N/A	SPRING CLIPS PACK	2					
DFP180-100	N/A	No.8 X 1 1/2" PAN POZI S/T S/S SCREW PACK	3					
DFP267-1000	BK	HOLE PLUG 9mm PACK	3					
DFP478-100	N/A	No.8 X 1/2" CSK POZI S/T S/S SCREW PACK TYPE B	8					
DFP508-100	N/A	No.10 X 3/4" PAN POZI S/T S/S SCREW PACK	1					1
DFP619-100	N/A	No.8 X 2" CSK POZI S/T S/S SCREW PACK	4					
MM616HSS	N/A	M6 X 16 HEX HEAD S/S MACHINE SCREW	4					
NM6ZN	N/A	NUTSERT M6 ZINC PLATED	4					
ST612PPSS	N/A	No.6 X 1/2" PAN POZI S/T S/S SCREW (TYPE AB)	4					
STC193	SP	CLOSER COVER PLATE - EQUALITY ACT COMPLIANT	1					
STP103-10	N/A	BOTTOM SHOE TAPPING PLATE PACK	1					1
STP104-10	N/A	TOP ARM TAPPING PLATE PACK	1					1
STP111-1000	N/A	BOTTOM SHOE SPACER PACK	1					
STP112	BK	MASTER LEAF ACCESSORY PACK	1					1
STP115-100	N/A	M6 X 25 CSK POZI S/S MACHINE SCREW PACK	4					
STP119-100	N/A	M5 X 45 CSK POZI S/S MACHINE SCREW PACK	1					1
STP121-100	N/A	8/32" UNC X 5/16" CSK S/S MACHINE SCREW PACK	3					
STP122-100	N/A	No.12 X 1 1/2" PAN POZI S/T S/S SCREW PACK	4					
STP126-50	N/A	ADJUSTABLE GLAZING PACKER PACK	2					
STP127-100	N/A	M6 PLAIN S/S WASHER PACK	2					
STP144-100	N/A	No.8 X 1 3/4" PAN POZI S/T S/S SCREW PACK	5					
STP156-100	N/A	M5 PLAIN S/S WASHER PACK	2					
STP201	N/A	ARMOUR STRIKE PACK (SINGLE DOOR)	1					1

Gaskets

Q50016	TYPE 03	Quantity : 1	Hutton Group
--------	---------	--------------	--------------

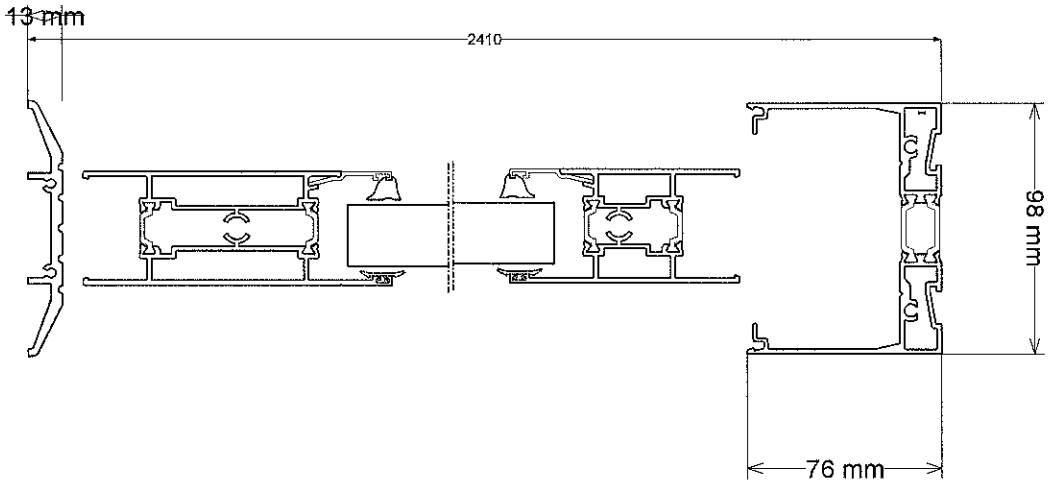
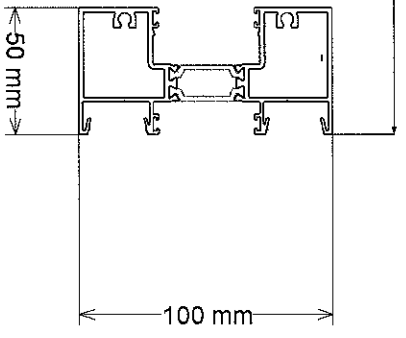
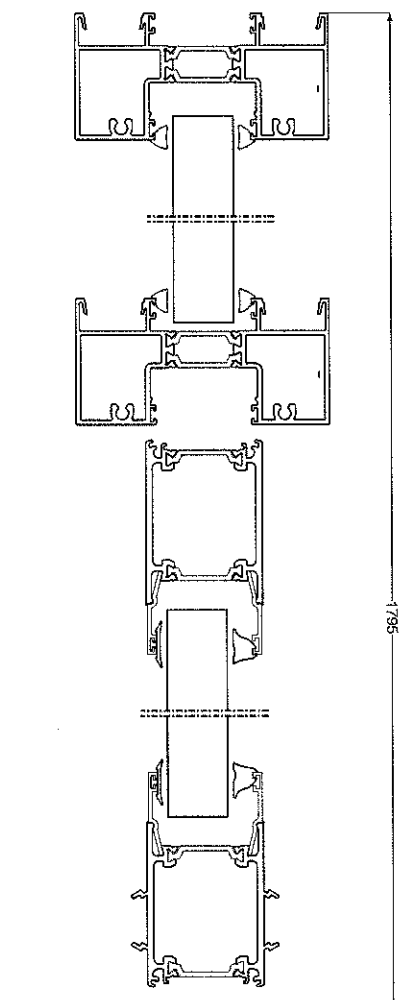
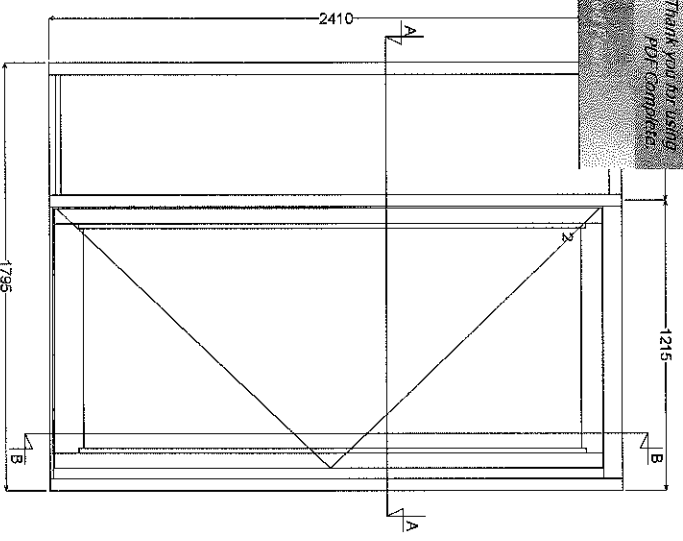
Part No.	Colour	Description	Qty.	Dim.		Pos.
105/54	GY	WOOLPILE 6.9 X 9.0 WITH FIN (M)	1	1.85 M		
STC110	BK	QLON 69 950 (350M)	1	9.33 M		
STC164/100M/BK	BK	FLIPPER SEAL	1	1.74 M		
W266BK	BK	GLAZING WEDGE (100M)	1	5.80 M		
W274/100M/BK	BK	E GASKET	1	5.80 M		

Fillings

Qty.	Part No.	Description	Width	Height	
1	28mm @ 55.9	6/16/6.4 TG/LAM-SCA-SwissV	738	2,150	1-0

(1) -> Glazing price not found

(2) -> Glazing or panel : max. surf. passed



A PLUS ALUMINIUM Units 14-16 Moor Park Ind. Centre Tropic Lane Watford Hertfordshire WD18 9EJ		PRODUCT NAME(S) / SYSTEM DETAILS: STORMFRAME		PROJECT: Q50016	
Tel: 01923 225555		DRAWING TITLE: Elevation & Cross Sections		ISSUE: 1 DATE: 16/02/2016 DESCRIPTION OF REVISION: Issued for Approval	
		CHECKED:		DRAWN: SL	
		SCALE: 1:20 & 1:2 @ A3		DRAWING NO.: 1/ TYPE 01	