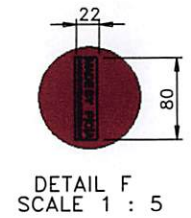
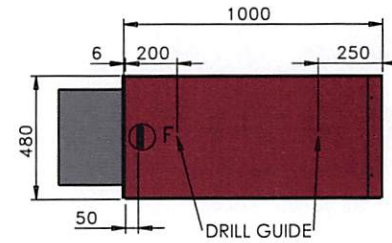
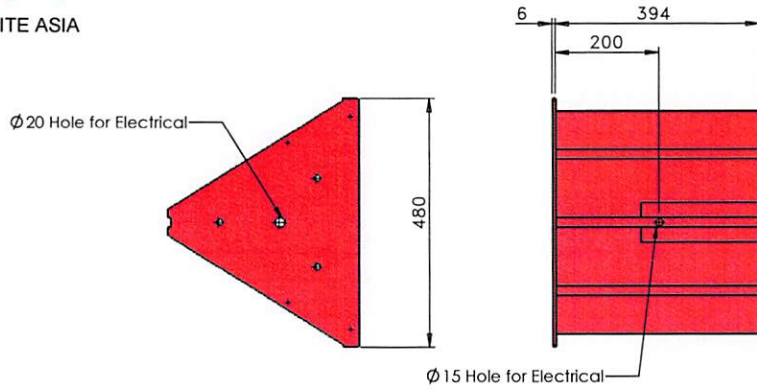
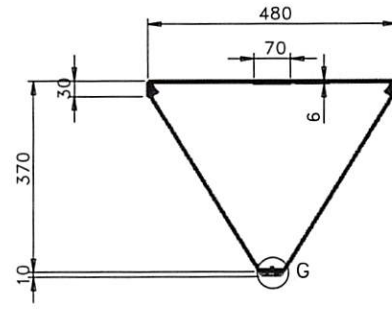
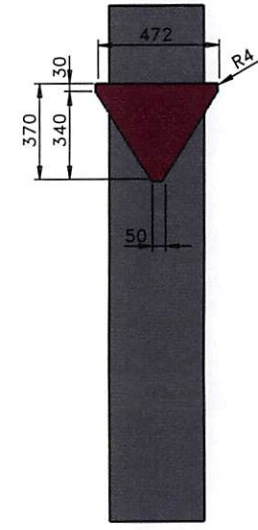
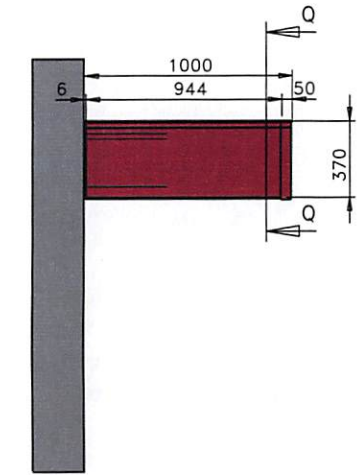
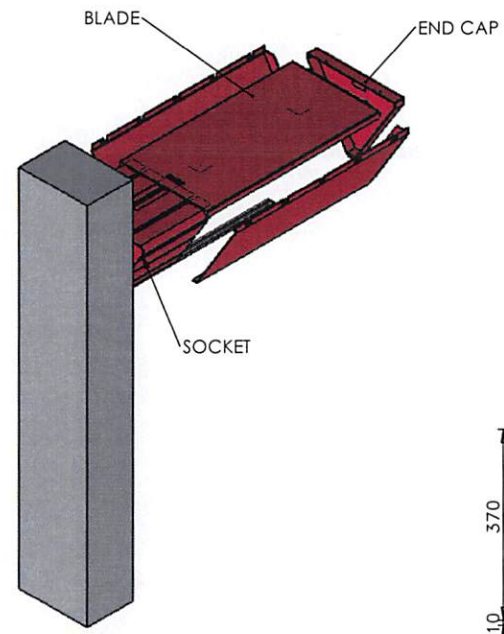
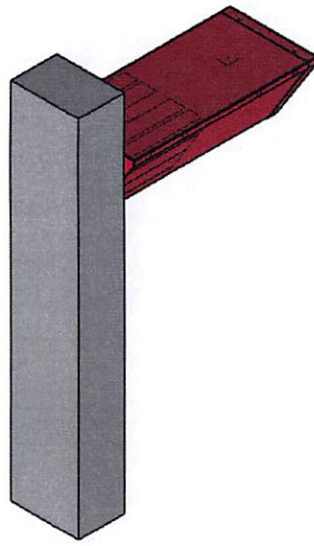


PCA

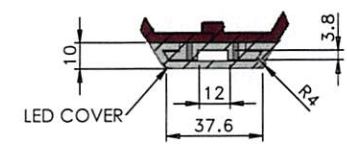
POLYMER COMPOSITE ASIA



DETAIL F
SCALE 1 : 5



SECTION Q-Q
SCALE 1 : 10



DETAIL G
SCALE 1 : 2

PRODUCT : BLADE

CUSTOMER : EXXON MOBIL

DRAWING NO : EXX-PMR14-BL-001

APPROVED BY : 