

GENERAL NOTES

- 1) Drawing and design Copyright.
- 2) Figured dimensions only are to be used.
- 3) All dimensions to be checked on site, differences between drawings and specification or bills of quantities to be referred to OPTIMA B.E.S. Ltd.

ELECTRICAL SERVICES NOTES

E1) The objective is to achieve a distribution solution to remove the Mechanical & Electrical services from the facade of Building A.

The contractors shall sequence the works to limit the disruption to the retail units.

E2) The contractor shall employ specialist contractors to relocate the existing services from the facade as indicated on OPTIMA B.E.S. Ltd drawing E100 to ensure the transfer of existing services from the facade to the new internal containment system ducting between buildings. The systems are as follows:

- BT
- Data
- CCTV
- Intercom (if applicable)
- Extra low voltage cables
- Low voltage cabling

E3) For indicative main and sub circuit schematics see drawing E50 main schematic

E4) Containment and ducting details are indicative only. It is the responsibility of the contractor to liaise with the specialist contractors & architect on final locations to ensure the OPTIMA B.E.S. Ltd specification requirements are achieved.

E5) All electrical shall be installed as per the requirements of BS 7671 IET Wiring Regulation and current amendments.

E6) Any electrical services passing through fire compartments shall be sleeved and sealed in accordance with current building regulations. All cable joints must be accessible.

E7) All cable sizes are indicative only. It is the responsibility of the electrical contractor to ensure the cabling is sized to the requirements of BS 7671 IET Wiring Regulations and current amendments.

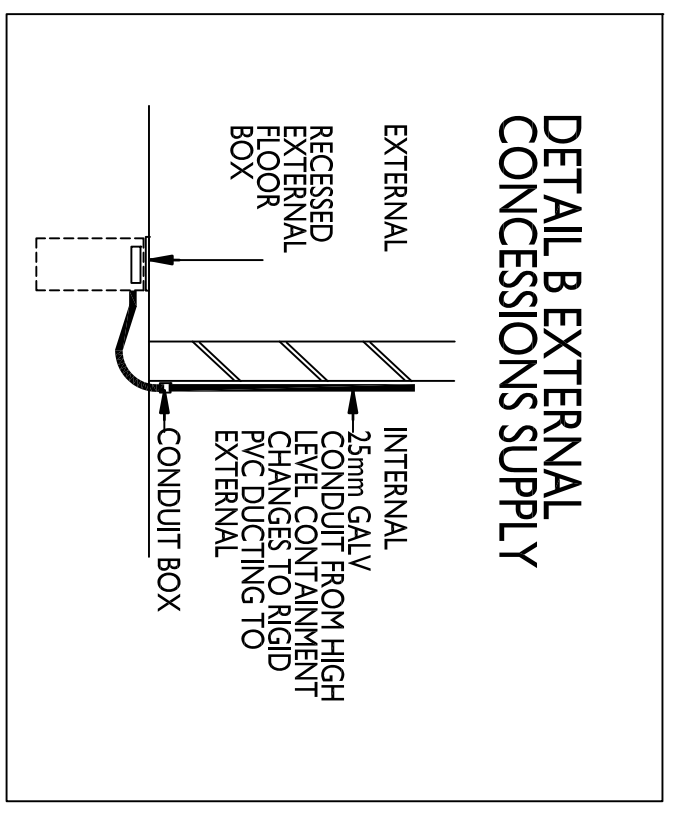
E8) CCTV - locations to be confirmed by the CCTV specialist company.

E9) Fire Alarm - Locations to be confirmed by the Fire Alarm specialist company.

E10) Essential lighting shall be wired in galvanneal metal conduit and 496 stage cable run internally within the building (save the on site)

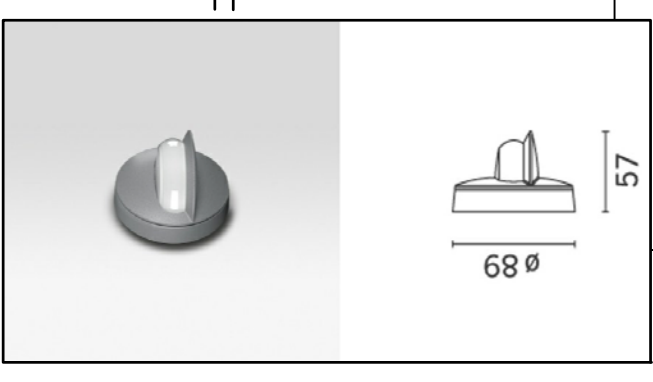


FLOOR BOX DETAIL AS BLOCK D - SEE DETAIL B



CityWoody > CityWoody wall mounted TYPE OF HIGH LEVEL EXTERNAL LUMINAIRE (EXCEPT 3W LED VERSION)

ALL RETAIL DISTRIBUTION BOARDS ARE INDICATIVE LOCATIONS ONLY. CONTRACTOR TO GOVERN LOCATIONS ON THEIR WORKING DRAWINGS. FOR TENDER PURPOSES THE SETOUT FOR A TYPICAL SMALL DISTRIBUTION BOARD WITH A FULL COMPLIMENT OF MCBs AND MCBs ON CIRCUITS AND MCBs ON CIRCUITS SPECIAL LOCATIONS.



150MM MRE LV CABLE
75MM MRE EV CABLE

OPTIMA B.E.S. LTD
Building Environmental Solutions
HIGHCLERE, 34 ABBOTS ROAD
ABBOTS LANGLEY, HERTS. WD5 0A-Z
TEL: 01923 267107 FAX: 01923 270223
E-mail: OptimaBES@bt.com

Job No.	AP297	Drawing No.	E200	Revision	T2
---------	-------	-------------	------	----------	----

Project	STANLEY SIDINGS CAMDEN STABLES MARKET LONDON				
Drawing	BUILDING A GROUND & FIRST FLOOR				
Scale	@ 1:25	Date	25/02/15	Drawn	TA
				Checked	DB
Client	STANLEY SIDINGS				
Revised	12 22-08-15 ARCHITECTS COMMENTS ADDED				
	11 14-04-15 ARCHITECTS COMMENTS ADDED				
	T 27-03-15 TENDER PROVISIONAL ISSUE				