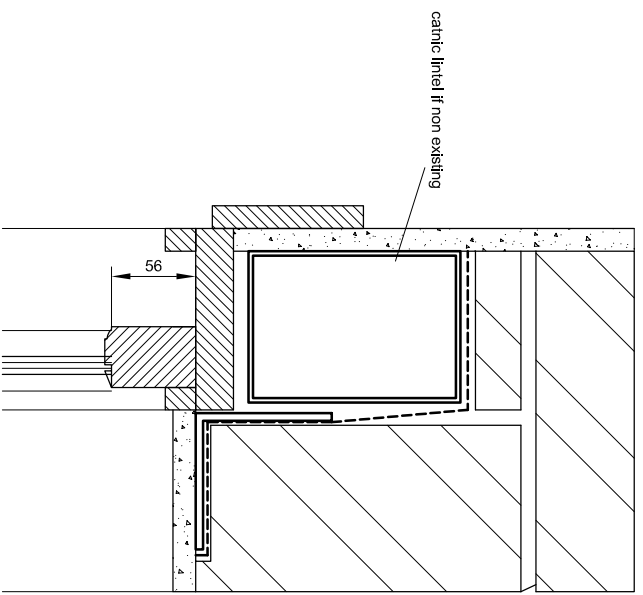
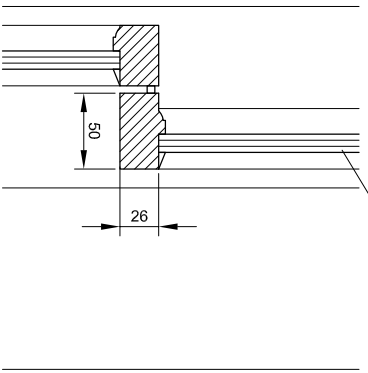


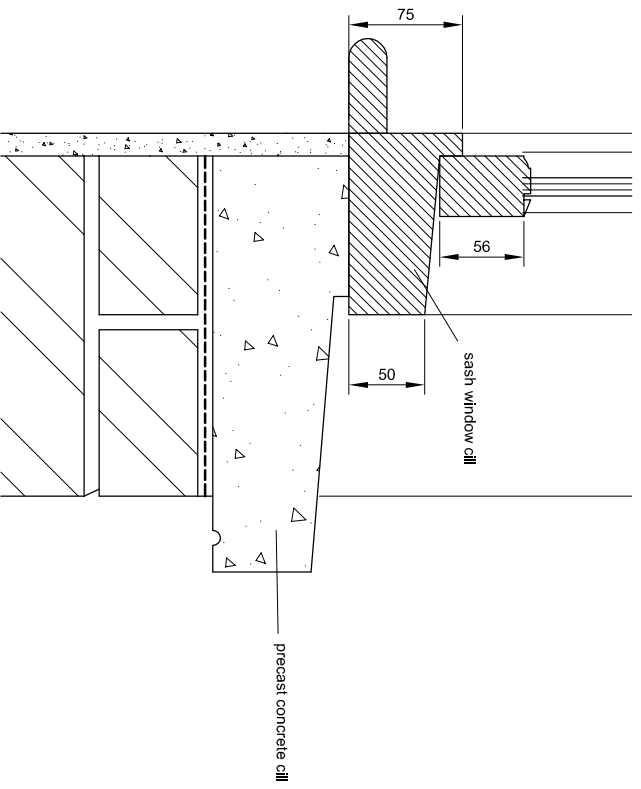
NOTES
DIMENSIONS TO BE CONFIRMED
ON SITE



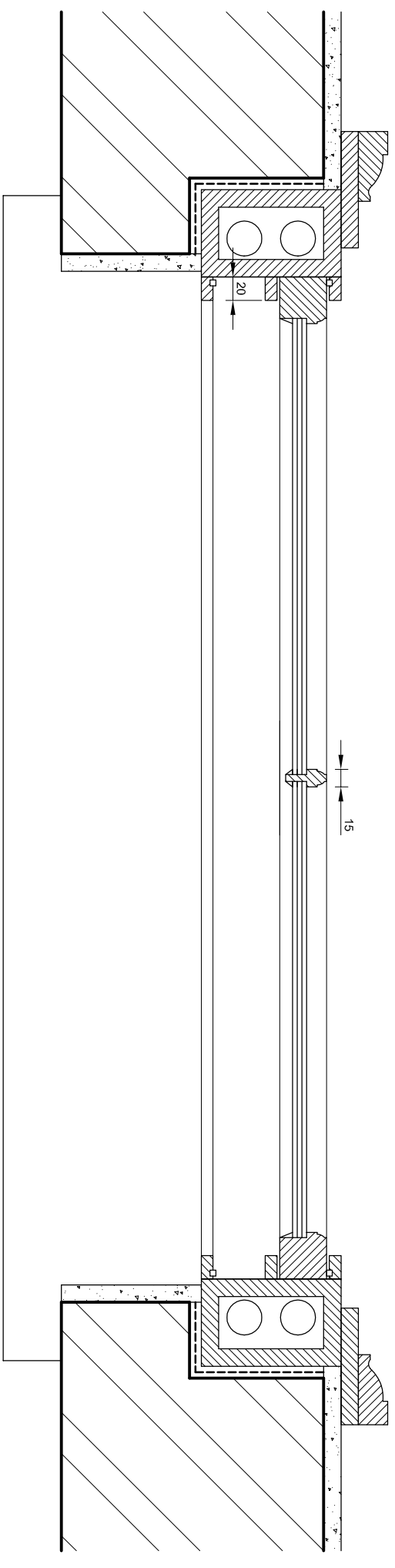
3 SECTION head



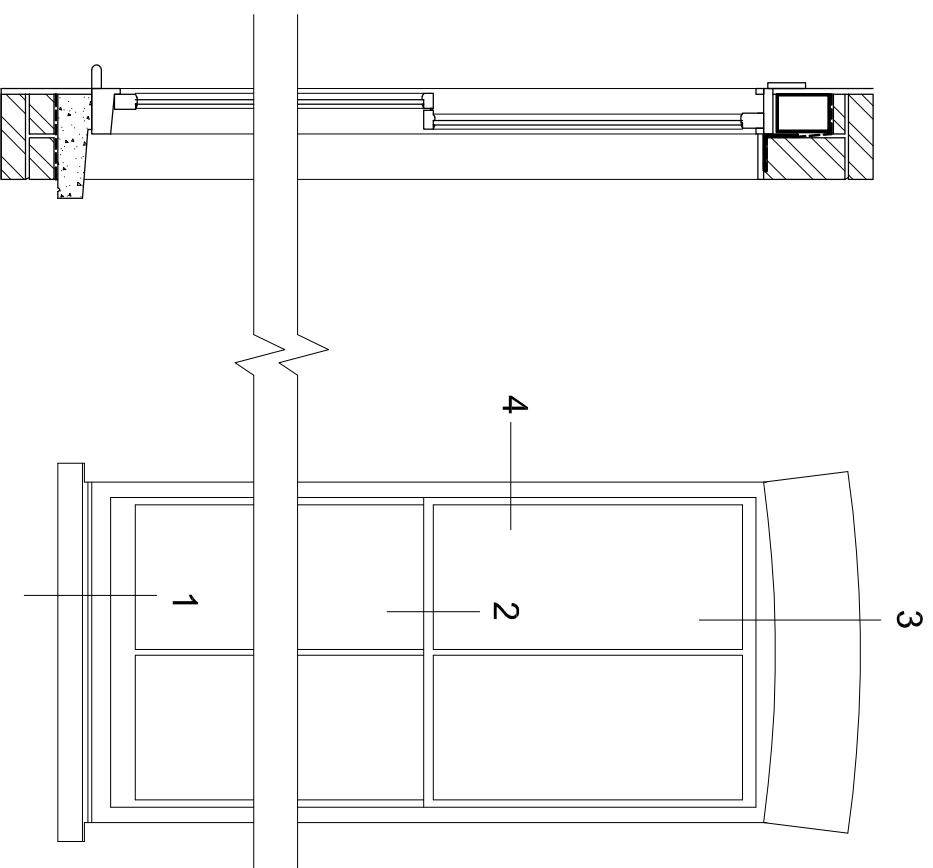
2 SECTION transom



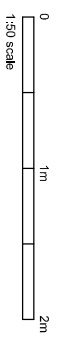
1 SECTION cill



4 PLAN jambs



GENERAL ARRANGEMENT



DAVIES ARCHITECTURE ©

28 ELLIOTT SQ
LONDON NW3 3SU
TEL 020 7483 0669

JOB
TYPICAL DETAILS

TITLE
PROPOSED
DETAILS
SASH WINDOW

DATE
SCALE 1:5 @A3

DRAWING NO TYP-C-10-01