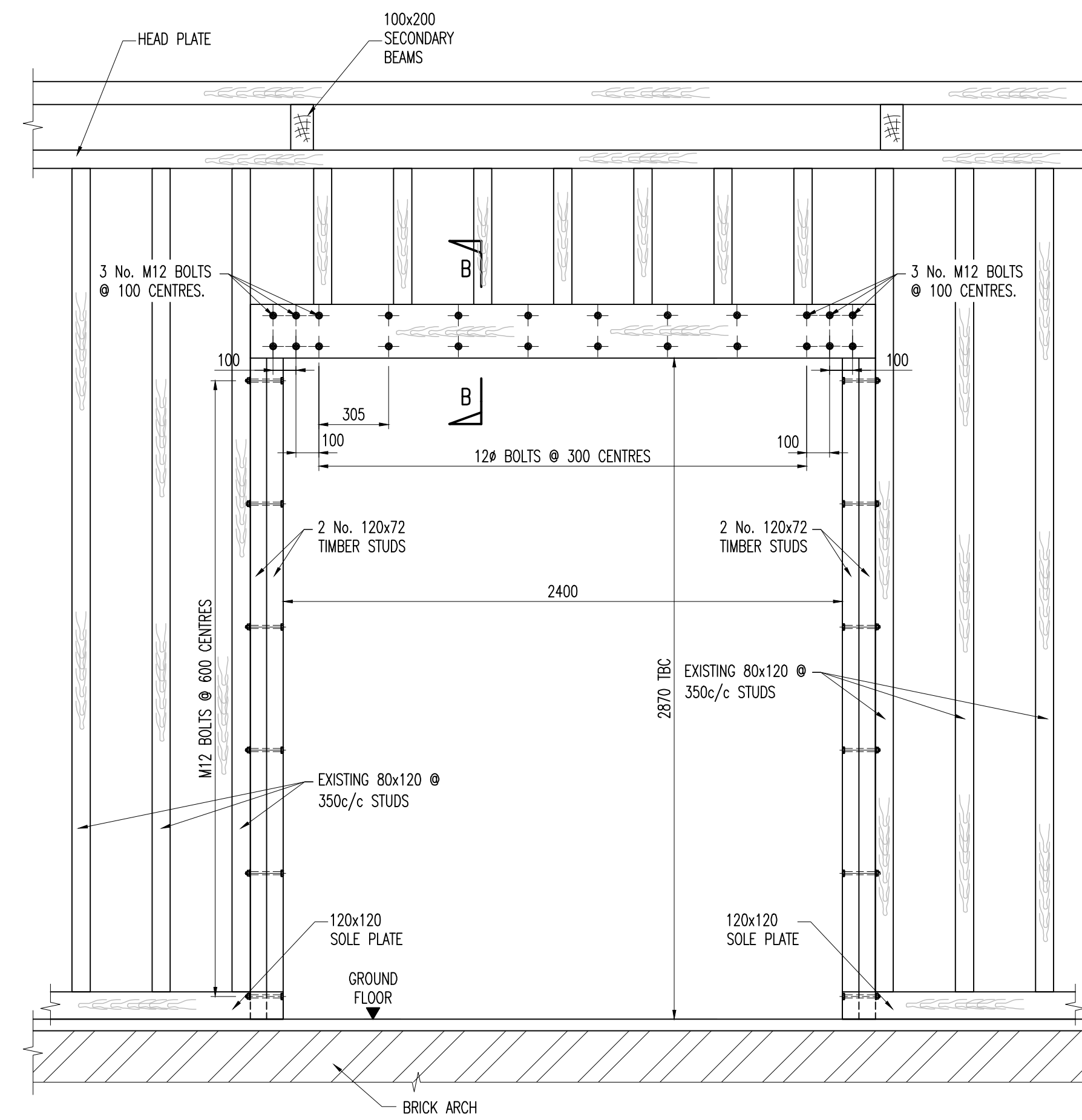
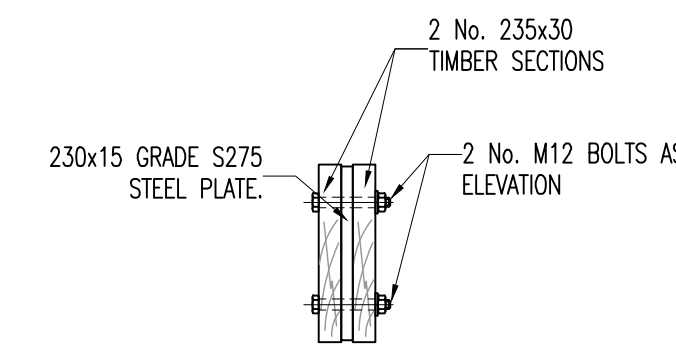


SECTION A-A - ARCHITECTURAL DOOR ELEVATION
 INFORMATION TAKEN FROM GRANIT DRAWING 1509/P/101
 SCALE 1:20

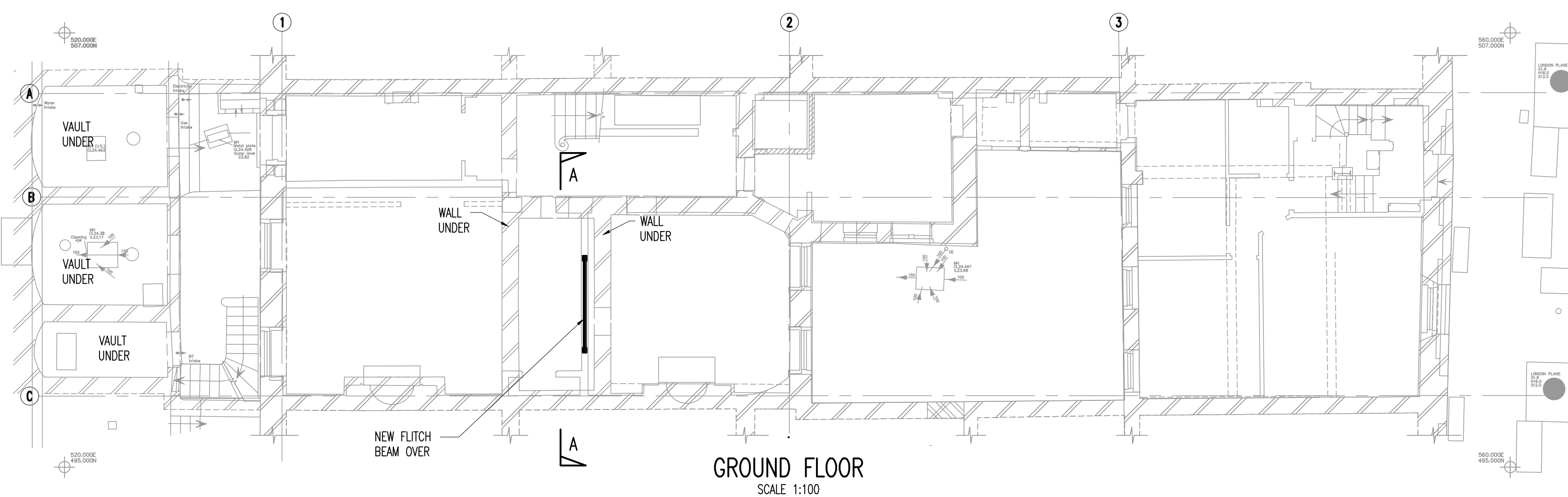


SECTION A-A - STRUCTURAL DOOR FRAME ELEVATION
 SCALE 1:20



SECTION B-B
 SCALE 1:10

NOTE
 FLITCH TIMBER TO BE MADE BY PLANING LARGER TIMBER



Notes

1. ALL DIMENSIONS ARE IN MILLIMETRES AND LEVELS IN METRES.
2. THIS DRAWING TO BE READ IN CONJUNCTION WITH RELEVANT ARCHITECT'S AND ENGINEER'S DRAWINGS AND SPECIFICATIONS.
3. THIS DRAWING HAS BEEN PRODUCED ELECTRONICALLY AND MAY HAVE BEEN PHOTO REDUCED OR ENLARGED WHEN COPIED. HENCE, DO NOT RELY ON ANY SCALES QUOTED. WORK ONLY TO FIGURED DIMENSIONS (DO NOT SCALE). ALL DIMENSIONS TO BE CHECKED ON SITE. ANY ERRORS OR OMISSIONS TO BE REPORTED TO THE ENGINEER IMMEDIATELY.

C.D.M.
SIGNIFICANT RISKS AND HAZARDS:
KEY DESIGN DECISIONS TO REDUCE OR ELIMINATE HAZARDS:

Rev.	Date	By	Details Of Revision
------	------	----	---------------------

Client: **BDP**

Project: **42 BEDFORD AND 13 BEDFORD VENUE**

Title: **DOOR FRAME DETAIL**

Walsh Associates
 Consulting Civil & Structural Engineers
 32 Lafone Street, London, SE1 2LX
 Tel: +44 (0)20 7089 6800
 Fax: +44 (0)20 7089 6801
 E-mail: london@walshgroup.eu.com

PRELIMINARY			
Drawn	DJB	A1 Scales	1:20 & 10
Date	MAY 15	Eng.	MG
File Ref.		Chk.	
Drawing No.	3306/200		Rev. P1

P:\Projects\3306\Drawings\Company\3306\3306_200_P1.dwg 14/05/15 09:23