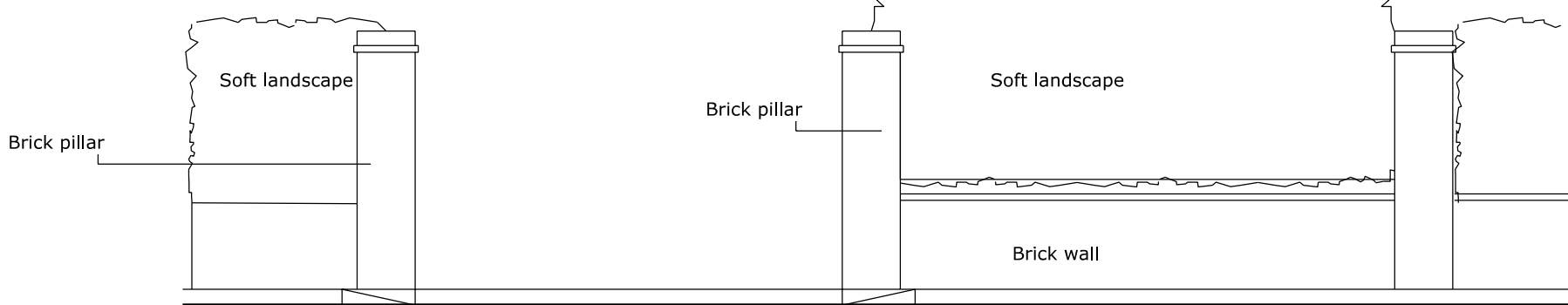


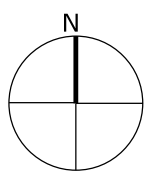
Plan

Road



Elevation

Revisions		Drawn	Checked
Rev. Date	Description		



152 Goldhurst Terrace London NW6			
Existing Driveway Plan & Elevation			
Scale	1:50 at A3	Job no.	107
Date	10.3.15	Drawing by	ZD
Drawing status	Planning	Checked by	ID
Drawing no.	100	Revision	00

**ZED Architect**  
 55 Church Crescent  
 London N3 1BL  
 Telephone: 07971902109