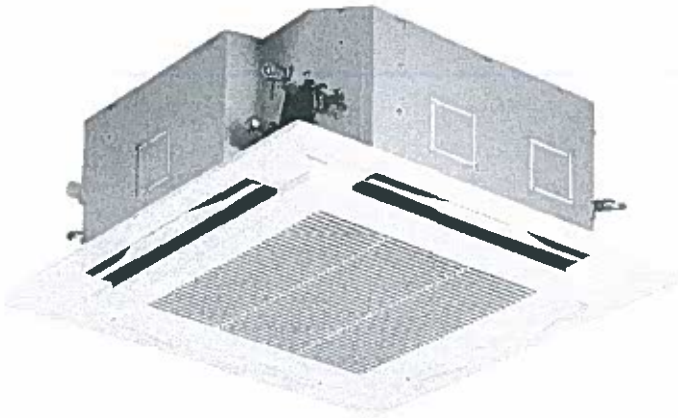


the experts in air conditioning

TOSHIBA
Leading Innovation >>>

amp



RAV 4 way cassette indoor unit

RAV 4 way cassette indoor unit (UTP-E)

Product Code: **RAV-SM564UTP-E**

The Digital Inverter Series of cassettes are unobtrusive and flexible which can easily blend in with any room interior. It is the ideal solution for applications where a ceiling void is present and easy access is required for maintenance and filter cleaning.

- Replacement technology (R22 & R407c)
- Lightweight and easy to install
- Built-in high lift drain pump, up to 850mm
- Self cleaning function and anti mould drain pan
- Removable corner pockets for easy access
- Infra-red and wired controls available
- Detachable louvre and grille for easy cleaning

unit details

MODEL NUMBER	RAV-SM564UTP-E	
GRILLE	RBC-U31PG(W)-E	
nominal cooling	kW	5.0
nominal heating	kW	5.3
height (indoor - grille)	mm	256 - 30
width (indoor - grille)	mm	840 - 950
depth (indoor - grille)	mm	840 - 950
weight (indoor - grille)	kg	20 - 4.2
indoor unit airflow rate (l-m-h)	l/s	217 - 242 - 292
static pressure	Pa	0
discharge spigots		na
sound pressure level (l-m-h)	dB(A)	28 - 29 - 32
pipe connection size - gas	in	1/2"
pipe connection size - liquid	in	1/4"
drain connection	mm	VP25 (25id 32od)
lift pump?		yes, 850mm from underside of ceiling tile
knock out from fresh air intake?		yes 105mm x 105mm
Knock out from branch duct?		yes 105mm x 105mm
power supply (outdoor)		from outdoor
interconnecting cables		3 core + E
controller included?		no - see control options

* exact cooling and heating capacities will depending on connected outdoor unit

for further product information visit www.ampair.co.uk

compatible control options

PART NUMBER	DESCRIPTION
RBC-AMT32E	wired remote controller
RBC-AMS41E*	wired remote controller with 7 day time clock
RBC-AMS51E-ES	premium wired remote controller with 7 day time clock
RBC-AS41E	simplified wired remote controller
RBC-AX31U(W)-E	infra red remote controller kit
TCB-PCNT30TLE2	network adapter for connection to central controllers
AMP-TRF	adapter for run / fault (12VDC output)
AMP-TRFVF	adapter for run / fault (volt free)
AMP-TRFVF+	adapter for run / fault (volt free) with 24v dc on/off

contact amp for additional control options

compatible outdoor units

PART NUMBER	SYSTEM TYPE	OUTDOOR UNIT TYPE	POWER SUPPLY
RAV-SM564ATP-E	1 to 1	digital inverter	1Ph
RAV-SP564ATP-E	1 to 1	super digital inverter	1Ph
RAV-SM1104ATP-E	twin	digital inverter	1Ph
RAV-SP1104AT-E	twin	super digital inverter	1Ph
RAV-SP1104AT8-E	twin	super digital inverter	3Ph
RAV-SM1603AT-E	triple	digital inverter	1Ph
RAV-SM1604AT8-E	triple	super digital inverter	3Ph
RAV-SM2244AT8-E	quad	digital inverter	3Ph



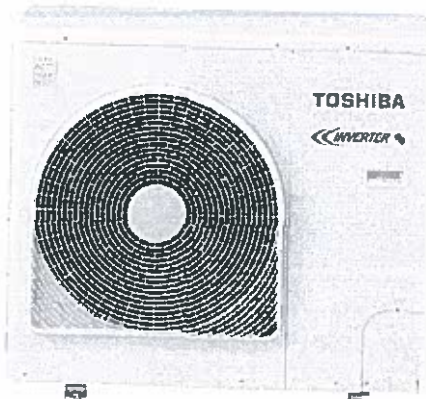
amp air conditioning ltd | www.ampair.co.uk | t 01707 378670

blenheim house, blenheim court, brownfields, welwyn garden city, hertfordshire AL7 1AD

the experts in air conditioning

TOSHIBA
Leading Innovation >>>

amp



RAV large single fan Digital Inverter Outdoor Unit

RAV Digital Inverter outdoor unit (SM****ATP-E)

Product Code: RAV-SM1104ATP-E

Toshiba Digital Inverter brings state-of-the-art inverter technology to the commercial sector, offering considerable advantages in terms of capacity, energy savings, optimised control and lower refrigerant charge

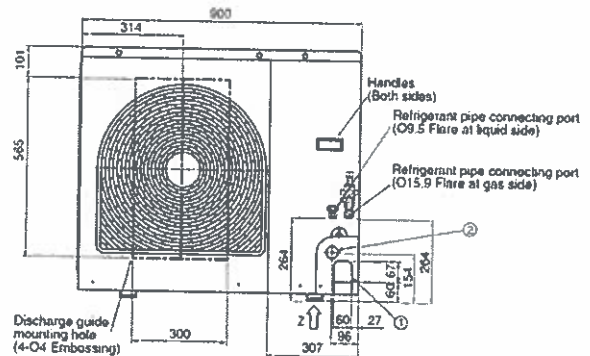
- High efficiency
- Wide operating range
- Precise capacity control at all conditions
- Utilises the latest digital hybrid inverter technology
- Removable corner panels for easy access
- Auto diagnostic function
- Quiet operation

unit details

MODEL NUMBER	RAV-SM1104ATP-E	
nominal cooling*	kW	10.0
nominal heating*	kW	11.2
height	mm	890
width	mm	900
depth	mm	320
weight	kg	68
operating range - cooling		46°C to -15°C
operating range - heating		15°C to -15°C
sound pressure level - cooling	dB(A)	53
sound pressure level - heating	dB(A)	54
pipe connection size - gas	in	5/8"
pipe connection size - liquid	in	3/8"
max pipe run**	m	50
max height difference**	m	30
refrigerant		R410A
precharged for**	m	30
factory charge	kg	2.8
additional charge**	g/m	40
suitable for replacement tech.		yes
power supply	V-Ph-Hz	230 - 1 - 50
suggested fuse size**	A	25
interconnecting cables		3 core + E

* exact cooling and heating capacities will depending on connected indoor unit(s)

** data correct for one to one systems. details may change for twin, triple and quad configurations, please contact amp for confirmation



allowable pipe sizes for replacement technology

LIQUID	GAS
3/8"	5/8"
3/8"	3/4"
1/2"	5/8"
1/2"	3/4"

subject to the existing pipe sizes additional pipework and capacity limitations may apply, contact amp for details

for further information visit www.ampair.co.uk



amp air conditioning ltd | www.ampair.co.uk | t 01707 378670
blenheim house, blenheim court, brownfields, welwyn garden city, hertfordshire AL7 1AD

system details

nom. cooling (kW)	10.0
nom. heating (kW)	11.2

indoor details

weight (kg)	20.0
height (mm)	256
width (mm)	840
depth (mm)	840

outdoor details

weight (kg)	68.0
height (mm)	890
width (mm)	900
depth (mm)	320

power details

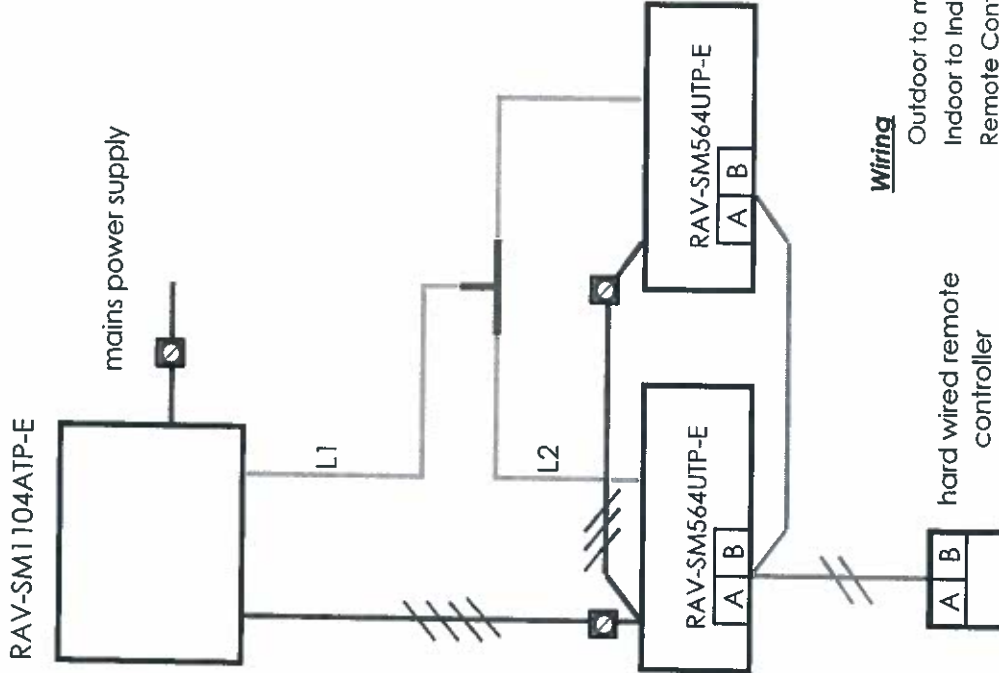
power to	OUTDOOR
power supply V/Ph/Hz	230/1/50
max. current (A)	22.00
suggested fuse size (A)	25.00

TOSHIBA

Leading Innovation >>>

pipng details

L1 pipe sizes (inch)	3/8 - 5/8
L2 pipe sizes (inch)	1/4 - 1/2
max. pipe run (m)	50
max vert sep. (out. above)	30
max vert sep. (out. below)	30
Refrigerant	R410A
pre charged for (m)	30
factory charge (kg)	2.80



Wiring

Outdoor to master indoor = 3 core + E (1 & 2 = L&N 230V, 3 = Comms.)
 Indoor to Indoor = 2 core + E (1 & 2 = L&N 230V)
 Remote Controller = 2 core 18V DC

amp air conditioning
 Tel: 01707 378670
 Fax: 01707 378699
www.ampair.co.uk



specifications subject to change without prior notice

The indoor & outdoor units must be isolated in accordance with local IEE regulations

2 RAV-SM564UTP-E - RAV-SM1104ATP-E Twin System

Scale : NTS

Date : 23/01/2015