

**LML**

Lawson Martin Long Consulting Engineers

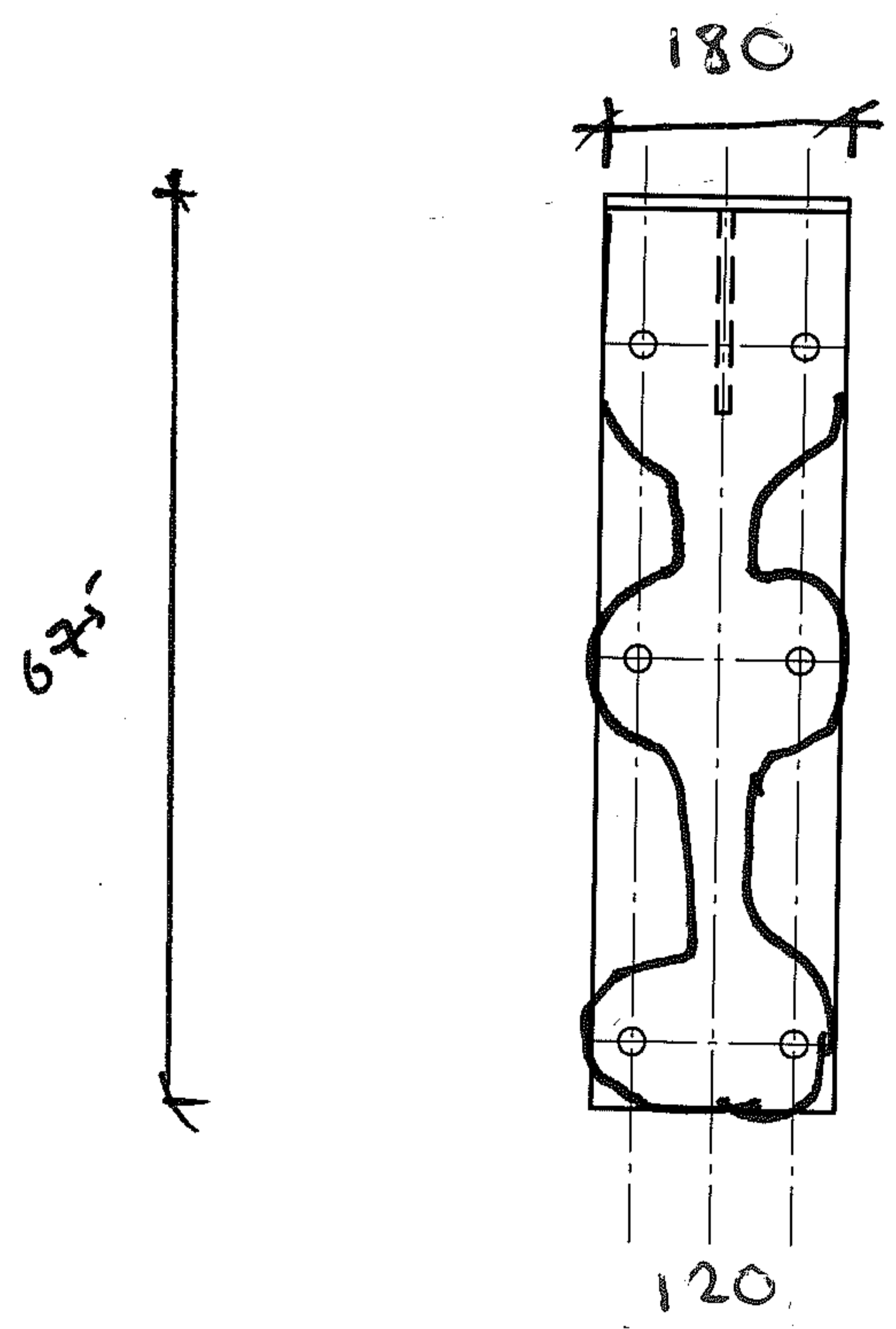
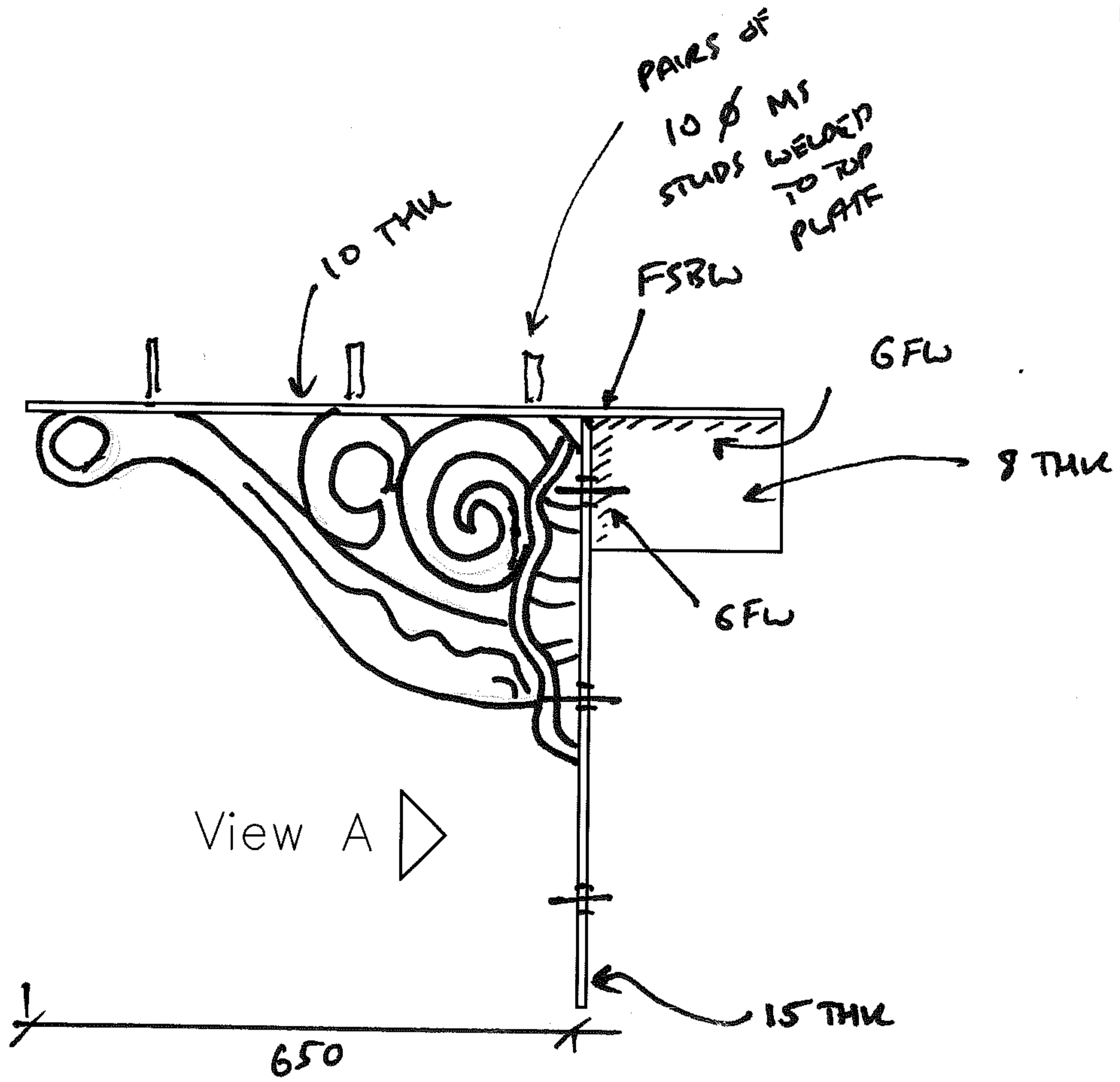
Project FLAT 2  
LADYWELL COURT

Job No.  
14/0192

Eng  
ML

Date  
MAY 2015

Sheet No.  
SK01



VIEW A