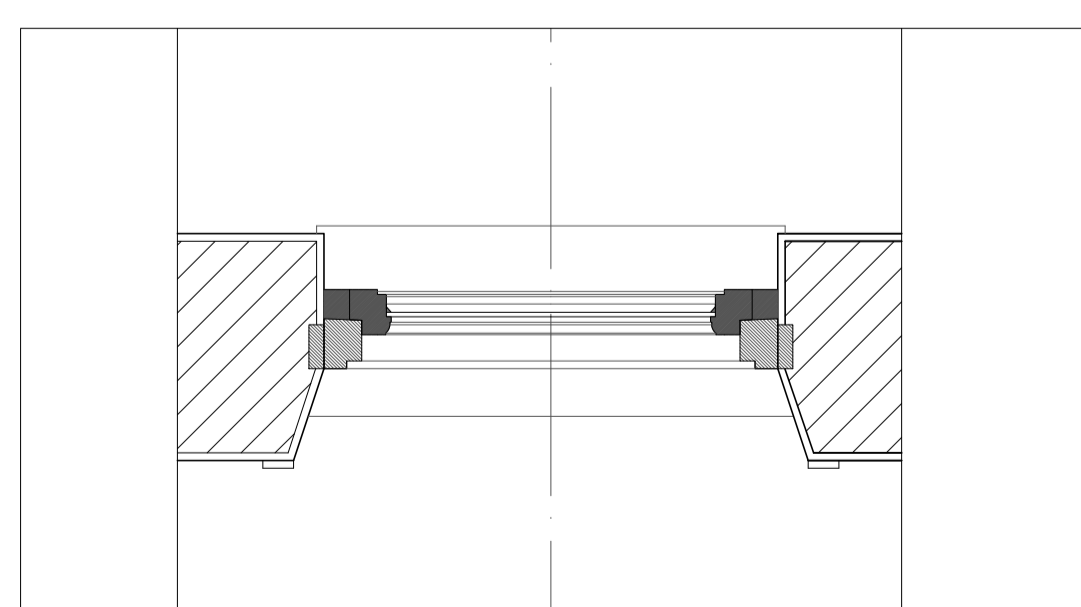
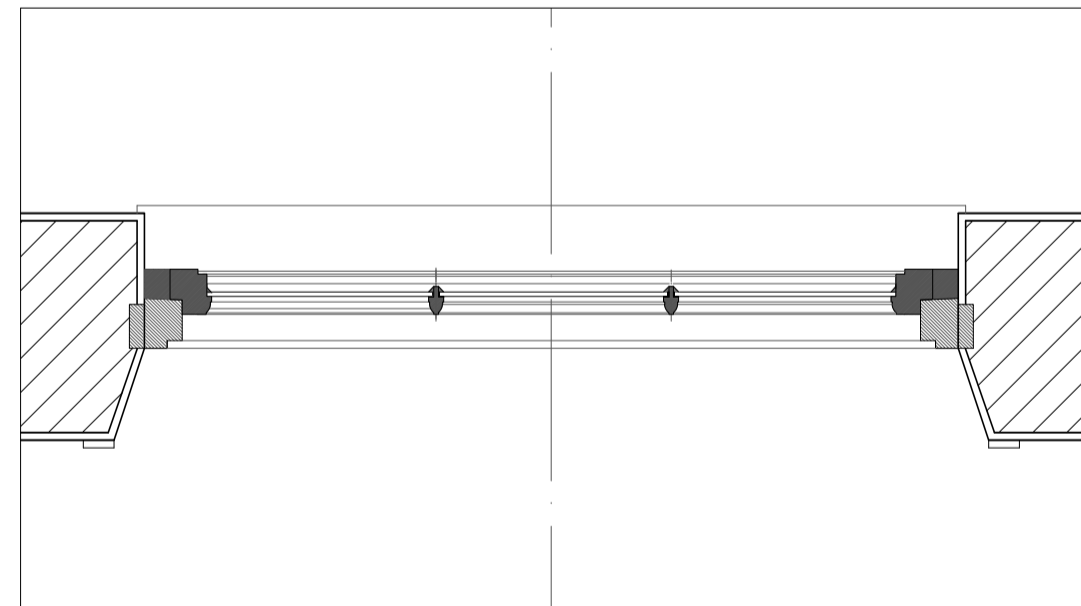


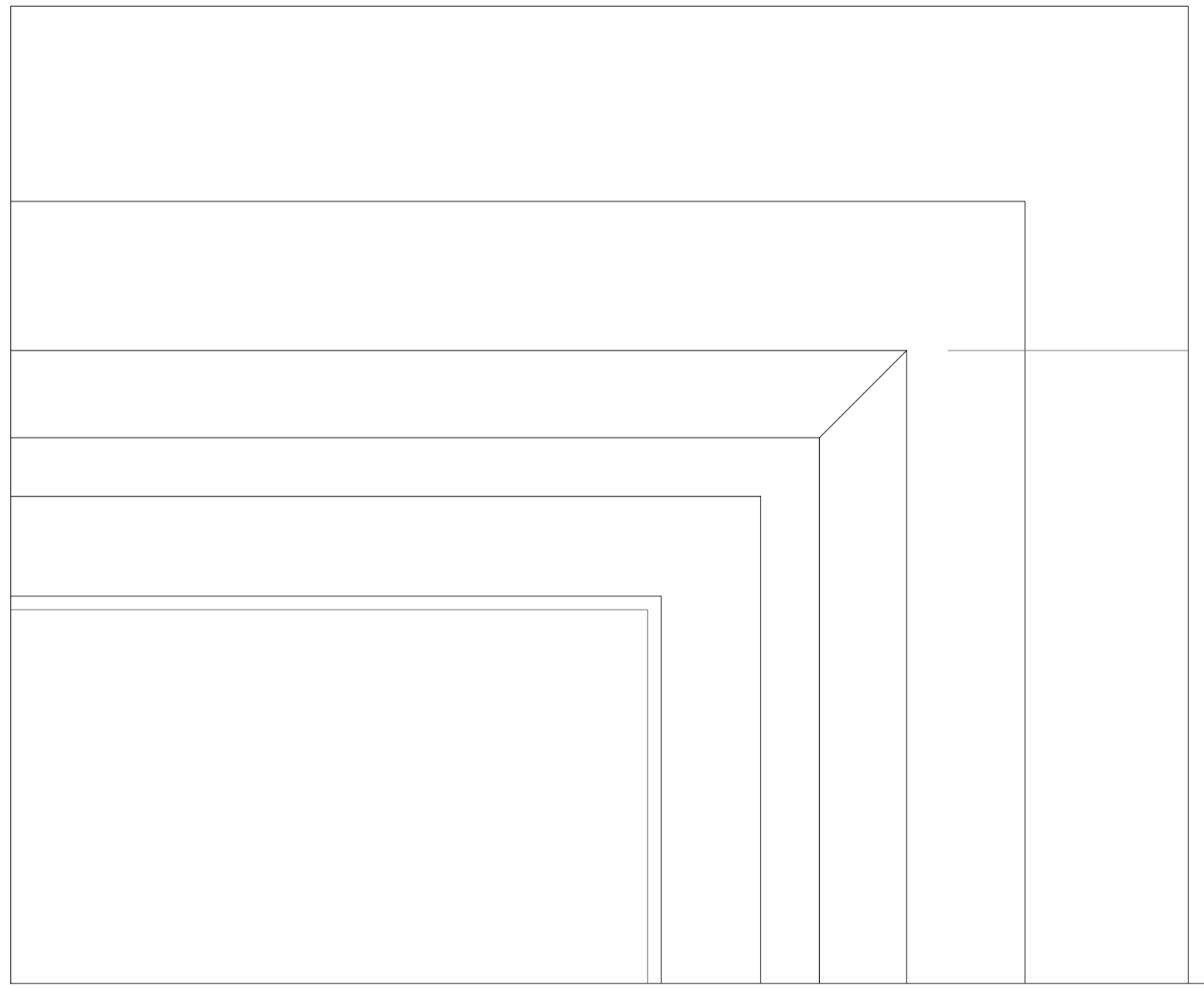
1 WINDOW TYPE A – interior elevation  
1/10

2 WINDOW TYPE A – section  
1/10

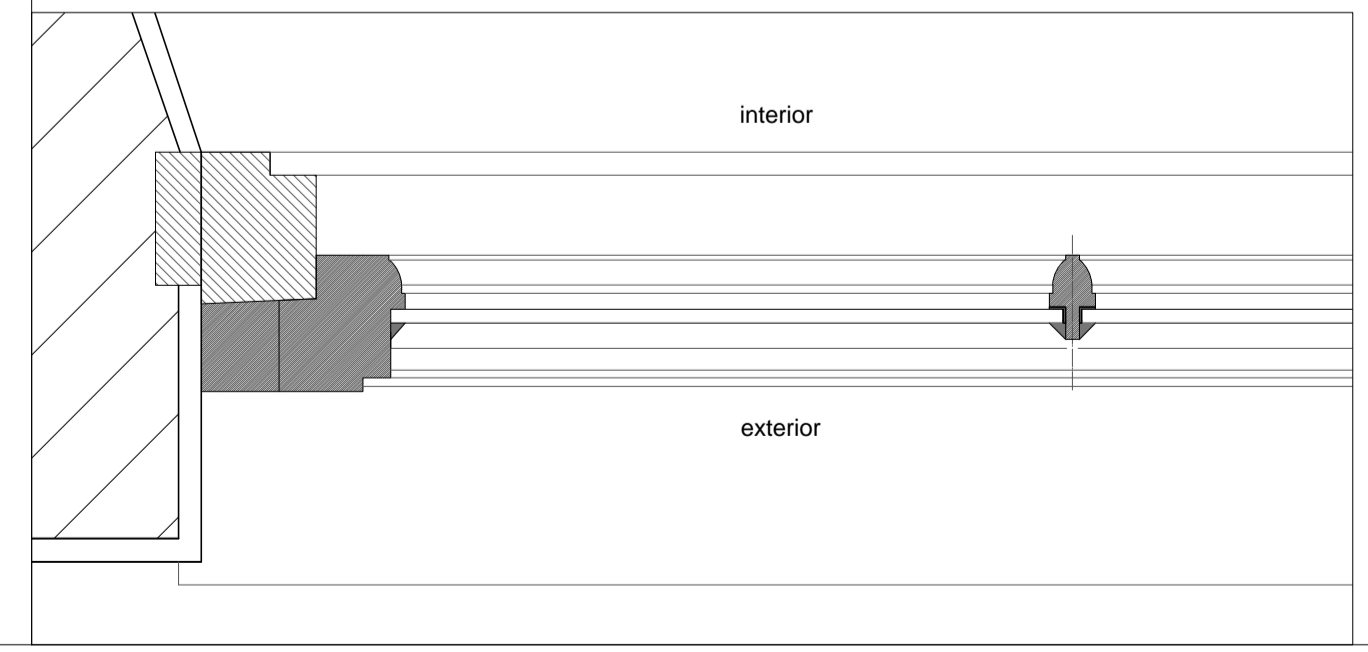
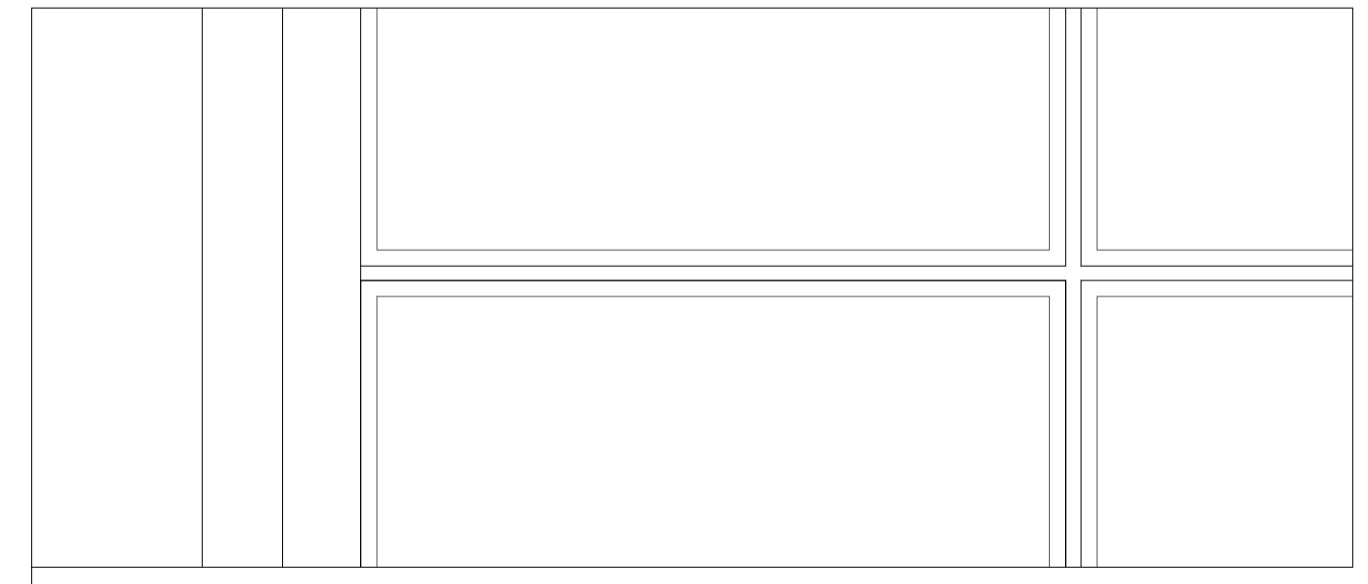
3 WINDOW TYPE A – exterior elevation  
1/10



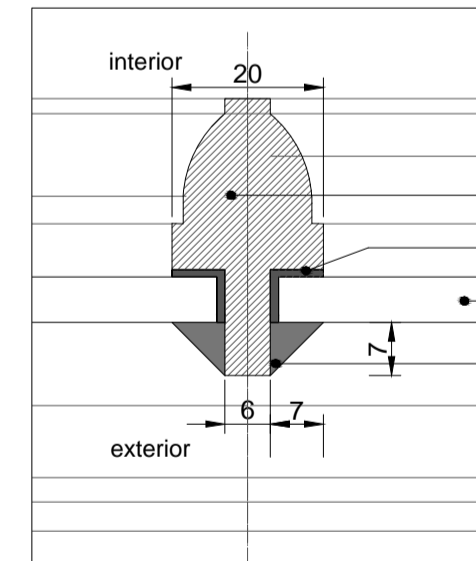
4 WINDOW TYPE A – 26A – plans  
1/10



5 WINDOW TYPE A – 26A – cornice detail  
1/2



6 WINDOW TYPE A – 26A – window moulding details  
1/2



Timber bar profile  
Butyl  
Glass  
Putty



7 WINDOW TYPE A – 26A – window moulding details  
1/1

ISSUED				ISSUED			
No.	Description	Date	Drawn by	No.	Description	Date	Drawn by
a	issue for tender	01.05.2015	C.O.				
b	issue for planning condition	22.05.2015	C.O.				
c	issue for planning condition	02.06.2015	C.O.				

General Notes  
This drawing and any associated design intent information, in any format, are the property of OAC (Office for Architectural Culture), copyright reserved by OAC.  
Do not scale from this drawing. All dimensions are in millimetres (mm) unless otherwise stated. Only use dimensions where indicated. Where no dimension is indicated then site survey should be undertaken or verified with Architect.  
All dimensions on site and all equipment sizes to be verified prior to work commencing. Report and verify immediately if in doubt.

CLIENT  
York Global LTD

SITE  
26 Argyle Square  
London WC1H 8AP

SHEET TITLE  
NEW WINDOWS 26 A  
Type A

ISSUE DATE  
30/03/15

SCALE  
1 : 10 @ A1

SHEET NO.  
1310-D-009c

ARCHITECTS  
Office for Architectural Culture  
ARCHITECTURE & INTERIOR DESIGN (INCORPORATING)  
INTERIOR PROJECT MANAGEMENT AND DESIGN  
Southbank House, Black Prince Road, London SE1 7SL, United Kingdom  
REGISTERED IN ENGLAND NUMBER 09051094 ARCHITECTURAL CULTURE LTD 14078084