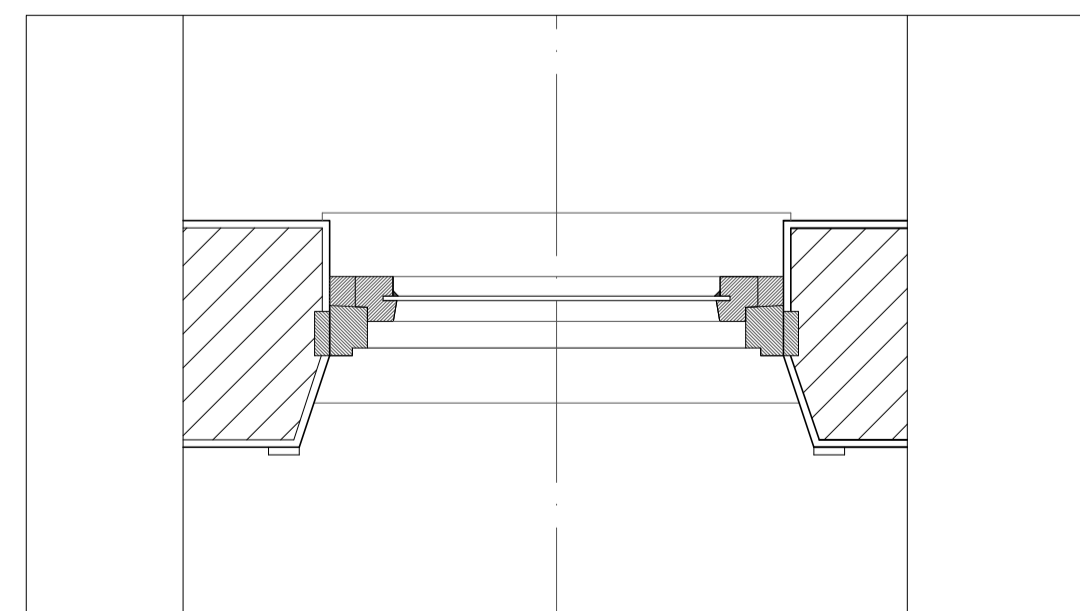
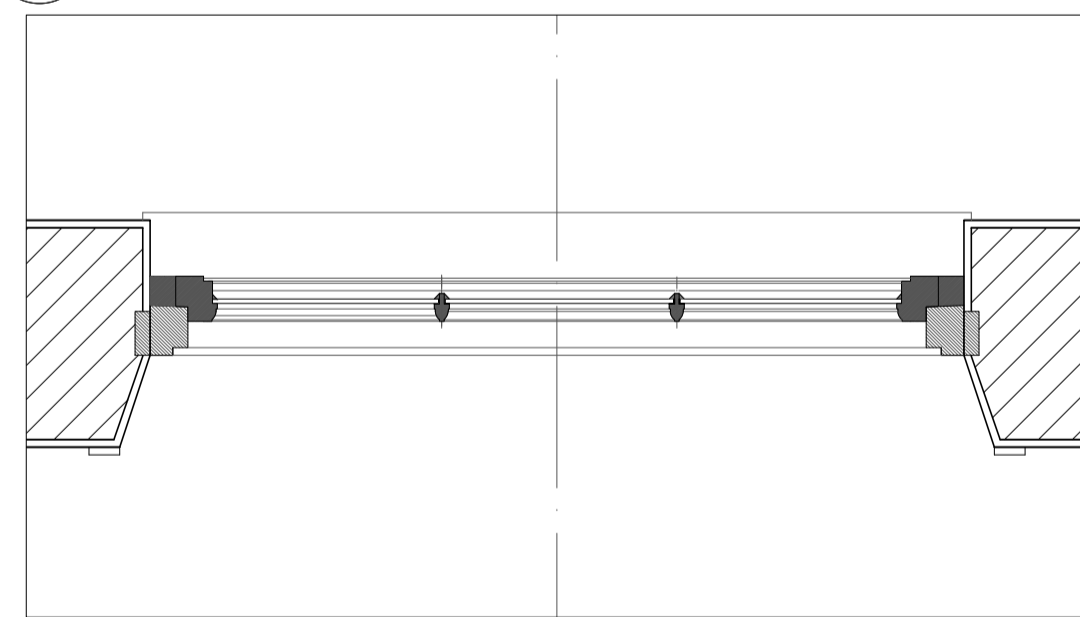


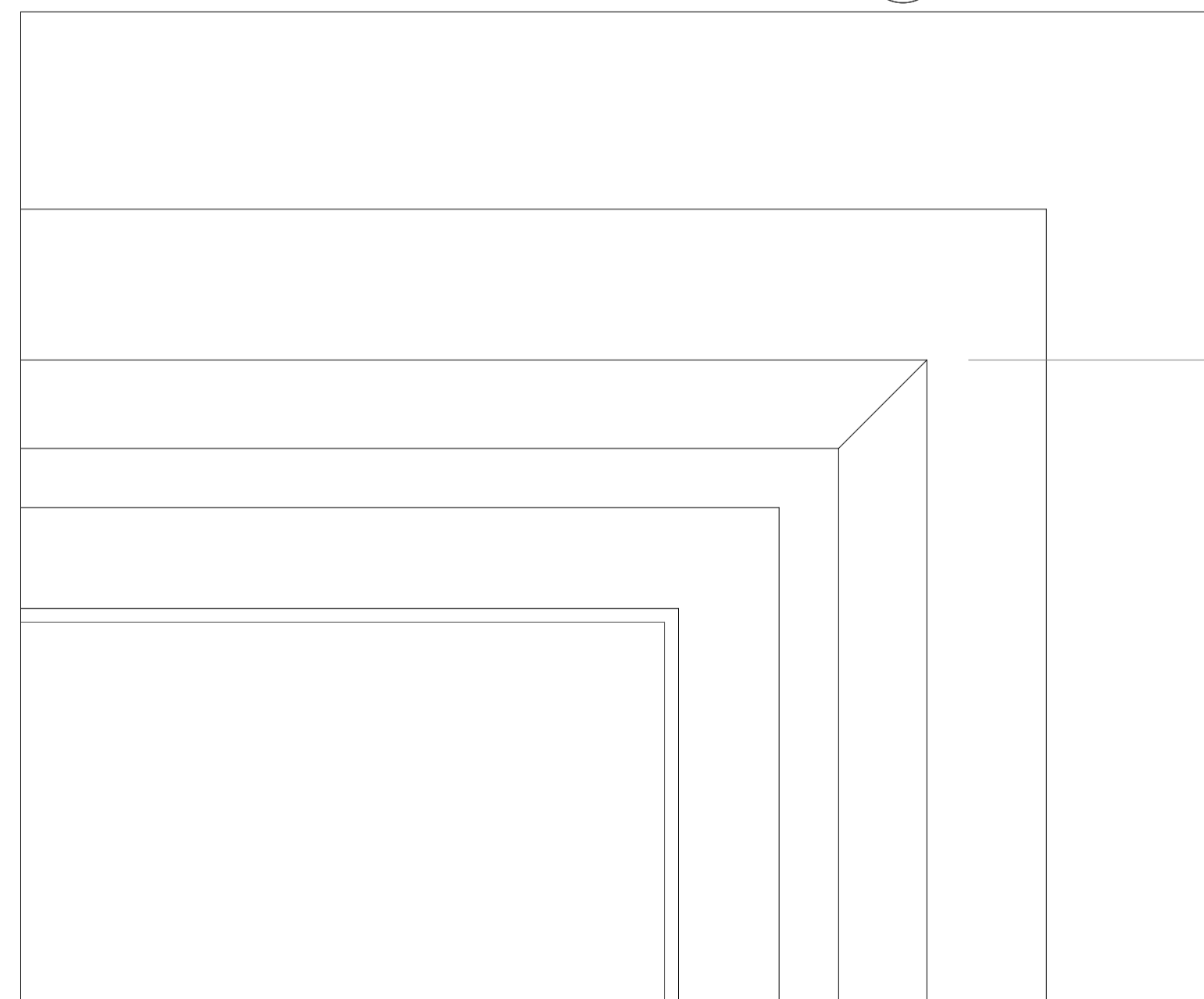
1 WINDOW TYPE A – interior elevation
1/10

2 WINDOW TYPE A – section
1/10

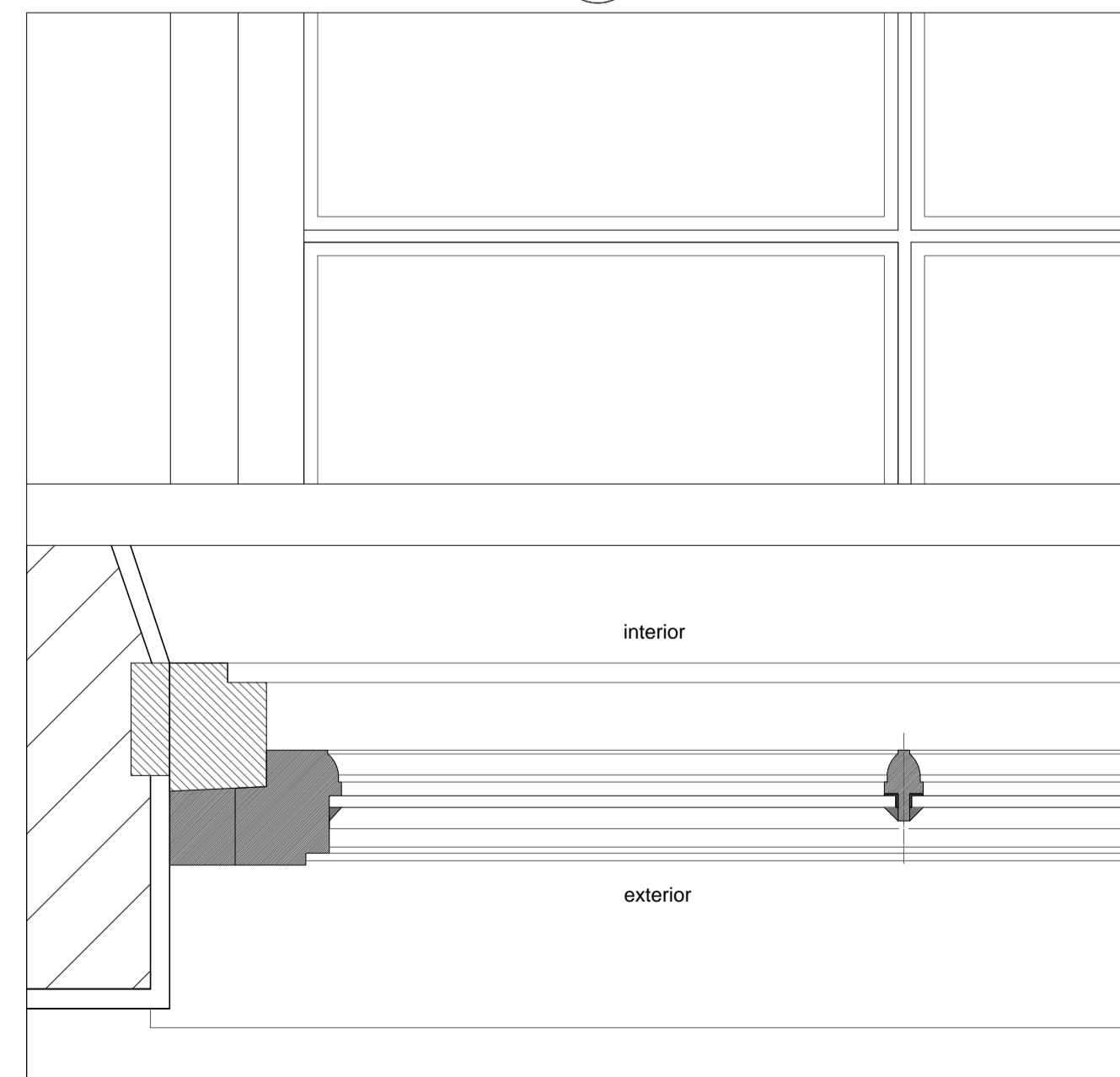
3 WINDOW TYPE A – exterior elevation
1/10



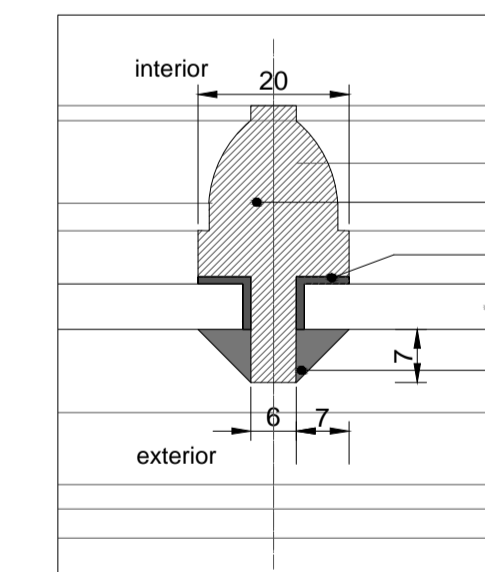
4 WINDOW TYPE A – 26A – plans
1/10



5 WINDOW TYPE A – 26A – cornice detail
1/2



6 WINDOW TYPE A – 26A – window moulding details
1/2



Timber bar profile
Butyl
Glass
Putty



7 WINDOW TYPE A – 26A – window moulding details
1/1

ISSUED				ISSUED			
No.	Description	Date	Drawn by	No.	Description	Date	Drawn by
a	issue for tender	01.05.2015	C.O.				
b	issue for planning condition	22.05.2015	C.O.				
c	issue for planning condition	02.06.2015	C.O.				

General Notes
This drawing and any associated design intent information, in any format, are the property of OAC (Office for Architectural Culture), copyright reserved by OAC.
Do not scale from this drawing. All dimensions are in millimetres (mm) unless otherwise stated. Only use dimensions where indicated.
Where no dimension is indicated then site survey should be undertaken or verified with Architect.
All dimensions on site and all equipment sizes to be verified prior to work commencing. Report and verify immediately if in doubt.

CLIENT
York Global LTD

SITE
26 Argyle Square
London WC1H 8AP

SHEET TITLE
NEW WINDOWS 26 A
Type A

ISSUE DATE
30/03/15

SCALE
1 : 10 @ A1

SHEET NO.
1310-D-009b

ARCHITECTS
Office for Architectural Culture
ARCHITECTURE | INTERIOR DESIGN | LANDSCAPE ARCHITECTURE
PROJECTS | PRODUCTS | PUBLISHING AND DESIGN
Southbank House, Back Price Road, London SE1 7JL, United Kingdom
02077661144 | WWW.OFFICEFORARCHITECTURALCULTURE.CO.UK