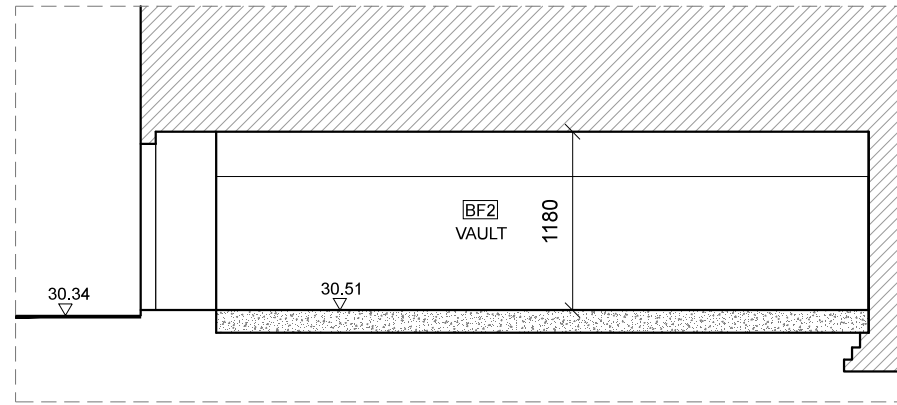
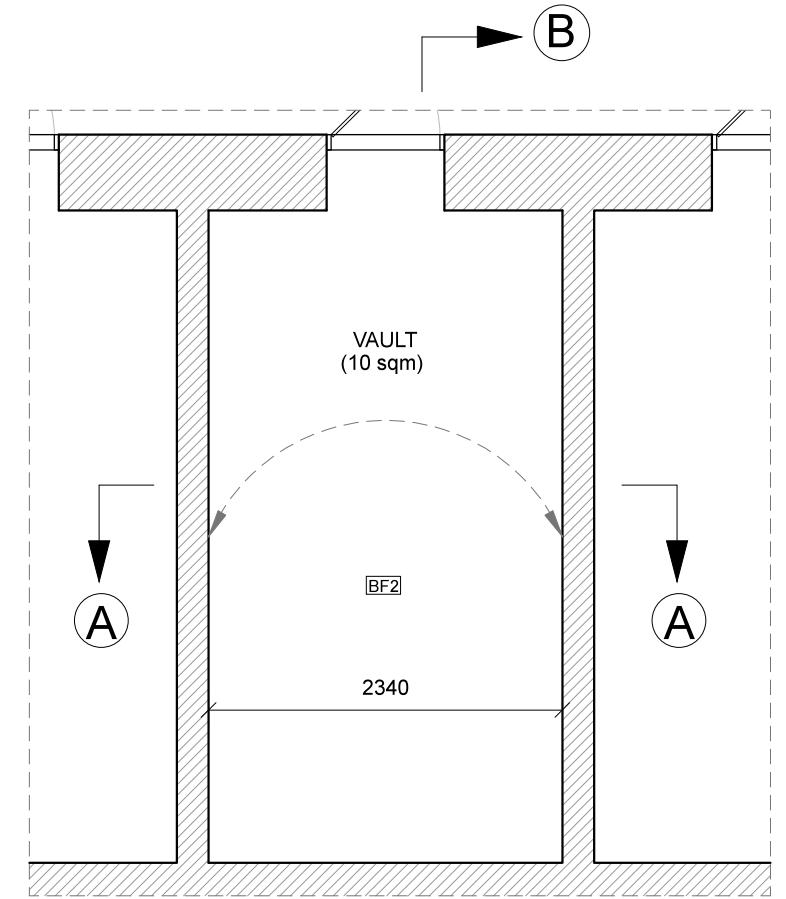


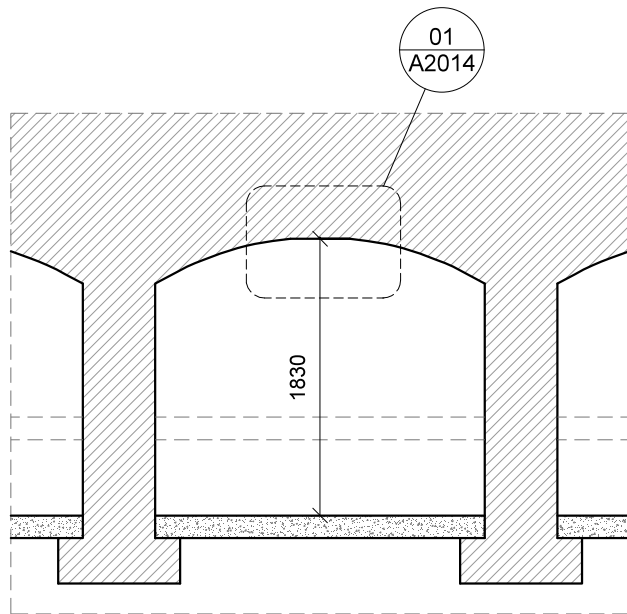
**01** Existing Vault - Section A-A  
1:50



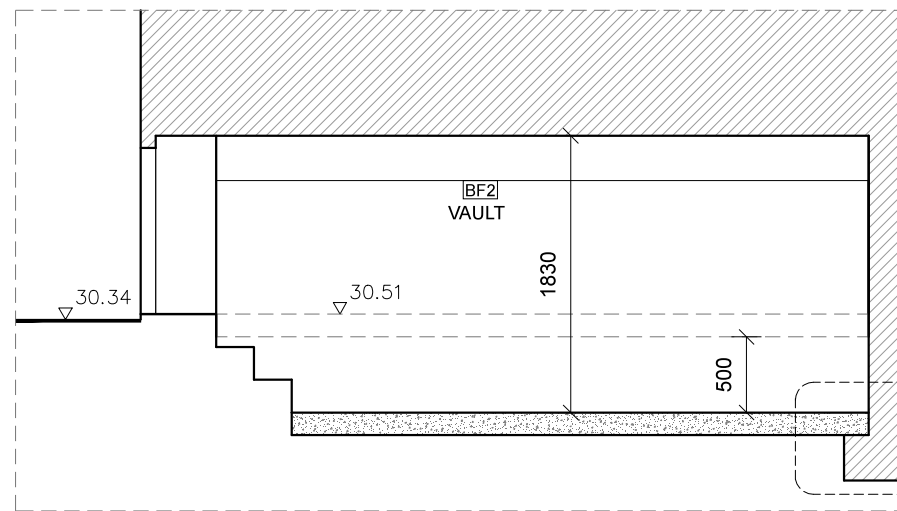
**02** Existing Vault - Section B-B  
1:50



**05** Vault - Plan  
1:50



**03** Proposed Vault Section A-A  
1:50



**04** Proposed Vault Section B-B  
1:50

All measurements are to be checked and confirmed on site by the contractor.

All dimensions are in mm unless otherwise stated.

FOR INFORMATION ONLY

Rev.	Date	Reason For Issue	Check

**tomèf**  
ARCHITECTURE  
INTERIORDESIGN  
132-134 Lots Road  
Unit 108  
World's End Studios  
SW10 0RJ London  
T +44 20 7349 7199

Client  
**TB**

Project  
**10 Chester Terrace**

Title  
**Vaults Plan & Sections-  
Existing & Proposed**

Job No	Originator	Scale	Number	Revision
		1:50 @ A3		00
Date	Location	Drawn by	A2013	
15.06.15	-	-		

The content of this document is strictly CONFIDENTIAL. Any unauthorised copying, disclosure or distribution of the material and information in this document is strictly forbidden.