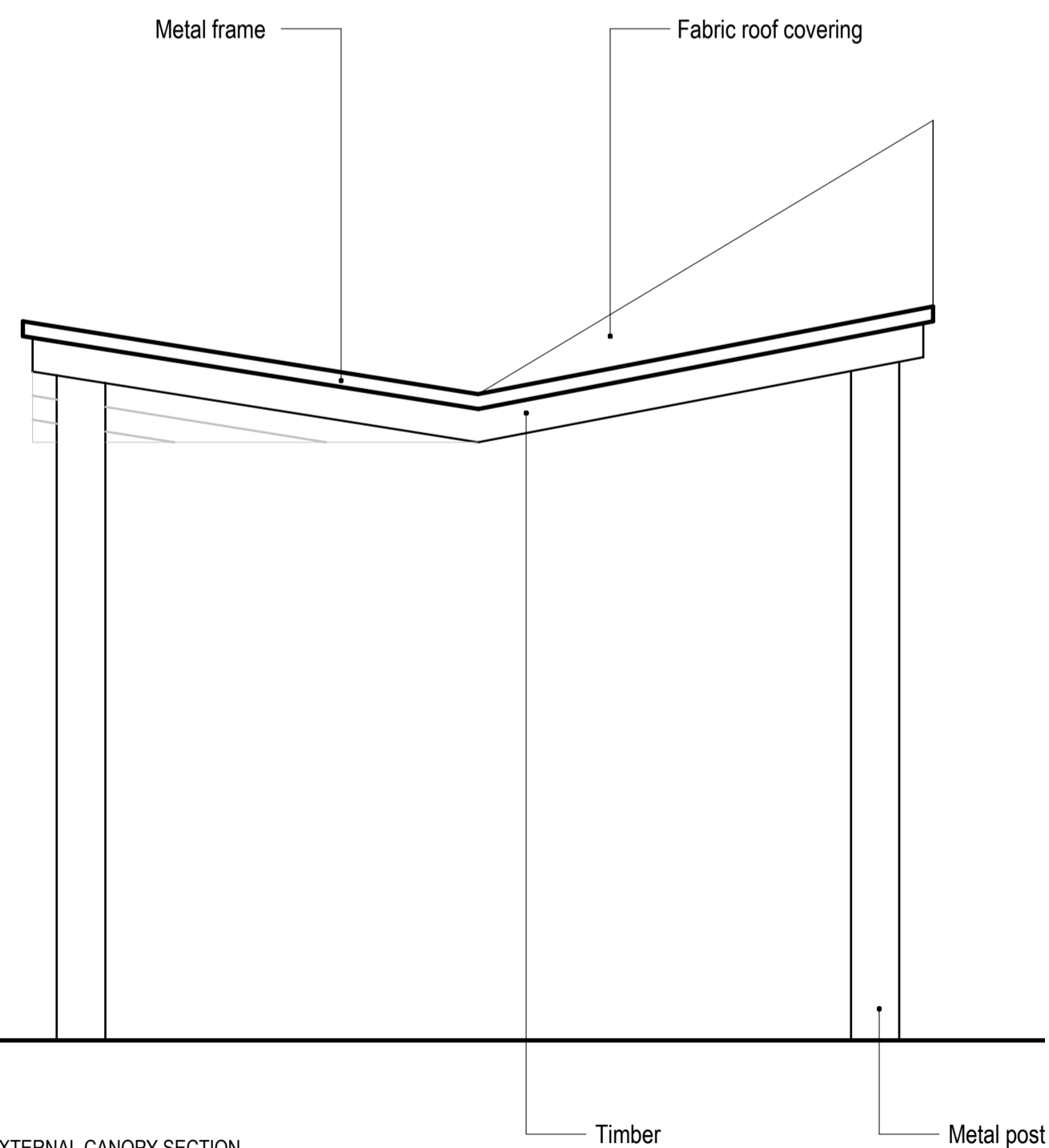
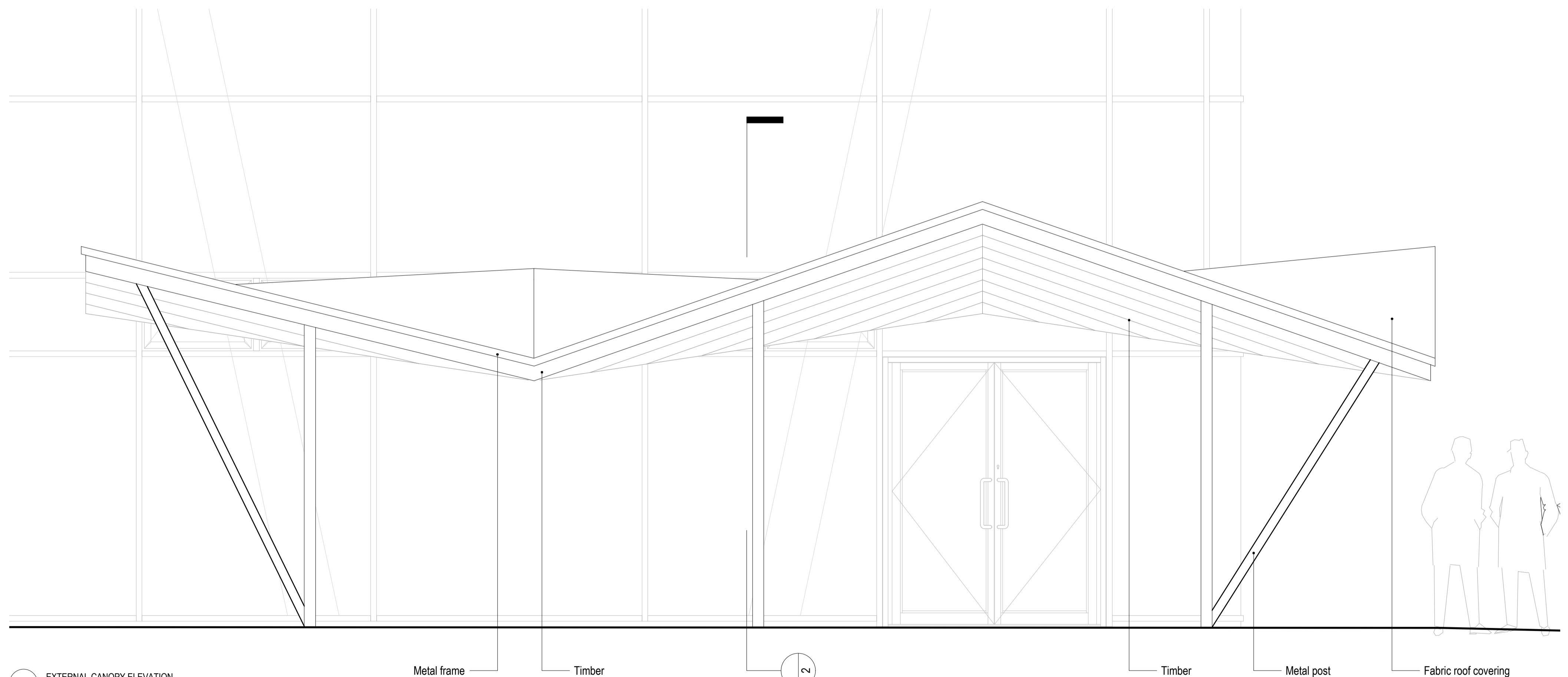


1 EXTERNAL CANOPY ROOF PLAN

Metal frame Fabric roof covering



2 EXTERNAL CANOPY SECTION



3 EXTERNAL CANOPY ELEVATION

Metal frame Timber Metal post Fabric roof covering

PLANNING ISSUE

Rev	Date	Description	By	Chkd	App

THE COPYRIGHT DESIGN AND PATENTS ACT 1988 THIS DRAWING IS THE COPYRIGHT OF TIGG COLL ARCHITECTS LTD AND MUST NOT BE COPIED OR REPRODUCED IN WHOLE OR PART, BY ANY METHOD WHATSOEVER, WITHOUT THE PRIOR WRITTEN APPROVAL OF TIGG COLL ARCHITECTS LTD

ALL SETTING OUT MUST BE CHECKED ONSITE
 ALL LEVELS MUST BE CHECKED ONSITE
 ALL DIMENSIONS MUST BE CHECKED ONSITE
 DO NOT SCALE FROM THIS DRAWING
 THIS DRAWING MUST NOT BE USED ONSITE UNLESS ISSUED FOR CONSTRUCTION

TIGG+COLL ARCHITECTS

UNIT L17, THE OLD LABORATORIES
 THE OLD GAS WORKS, 2 MICHAEL ROAD
 LONDON, SW6 2AD
 E:INFO@TIGGCOLLARCHITECTS.COM
 T: 020 3170 6125
 TIGGCOLLARCHITECTS.COM

Project		Nido West Hampstead, Blackburn Road	
Title		External Canopy Details	
Date	Scale [A3] 1:50 Scale [A1] 1:25	Drawing no.	Rev.
11.06.15		190 - 902	-