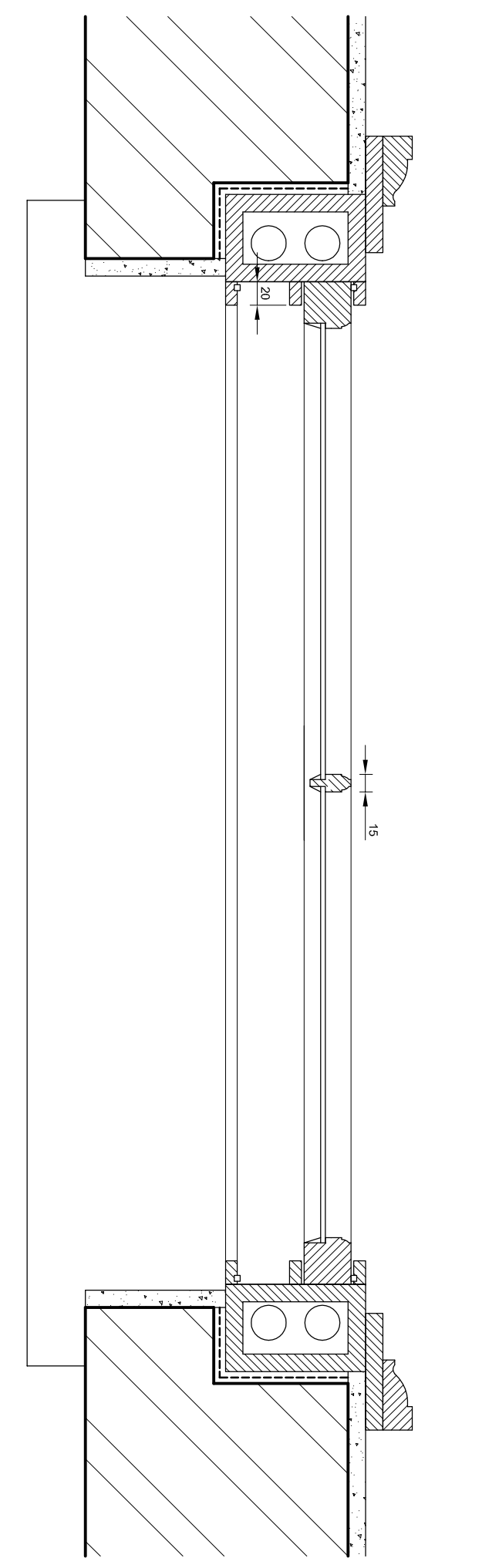
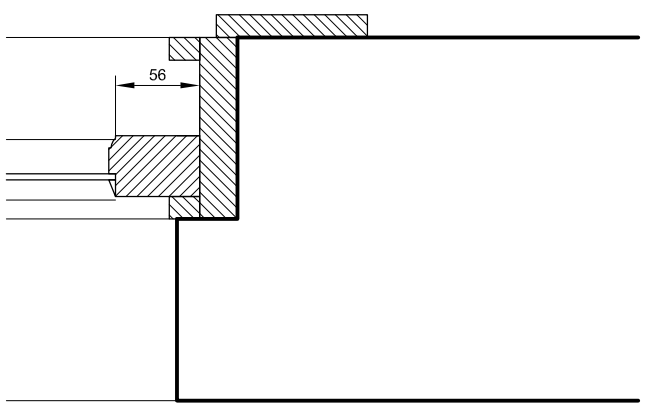


NOTES
DIMENSIONS TO BE CONFIRMED
ON SITE

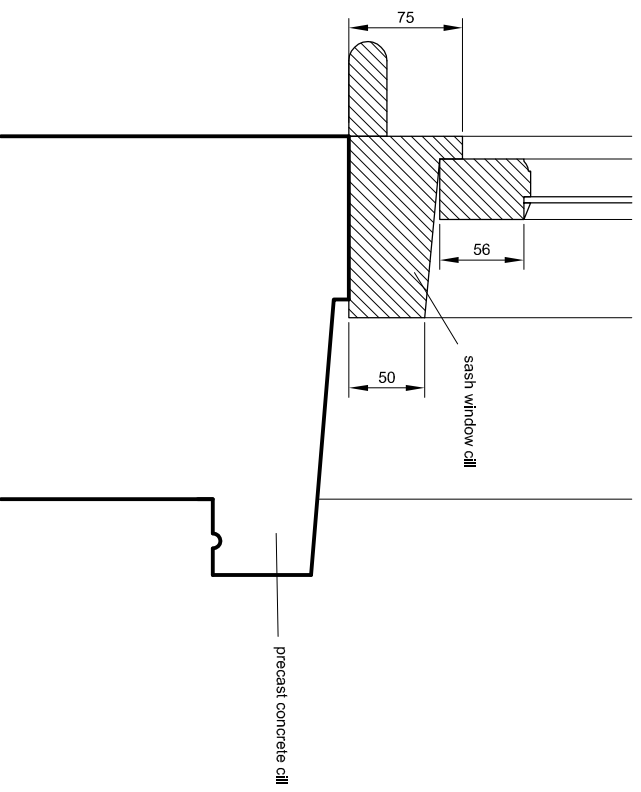
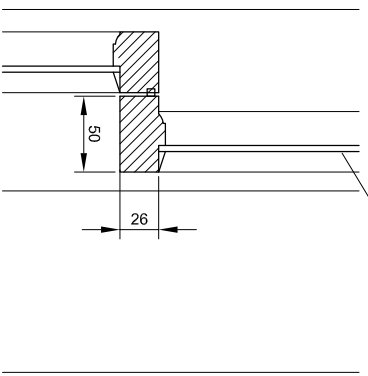


3 SECTION head

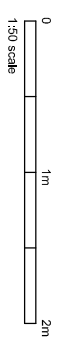
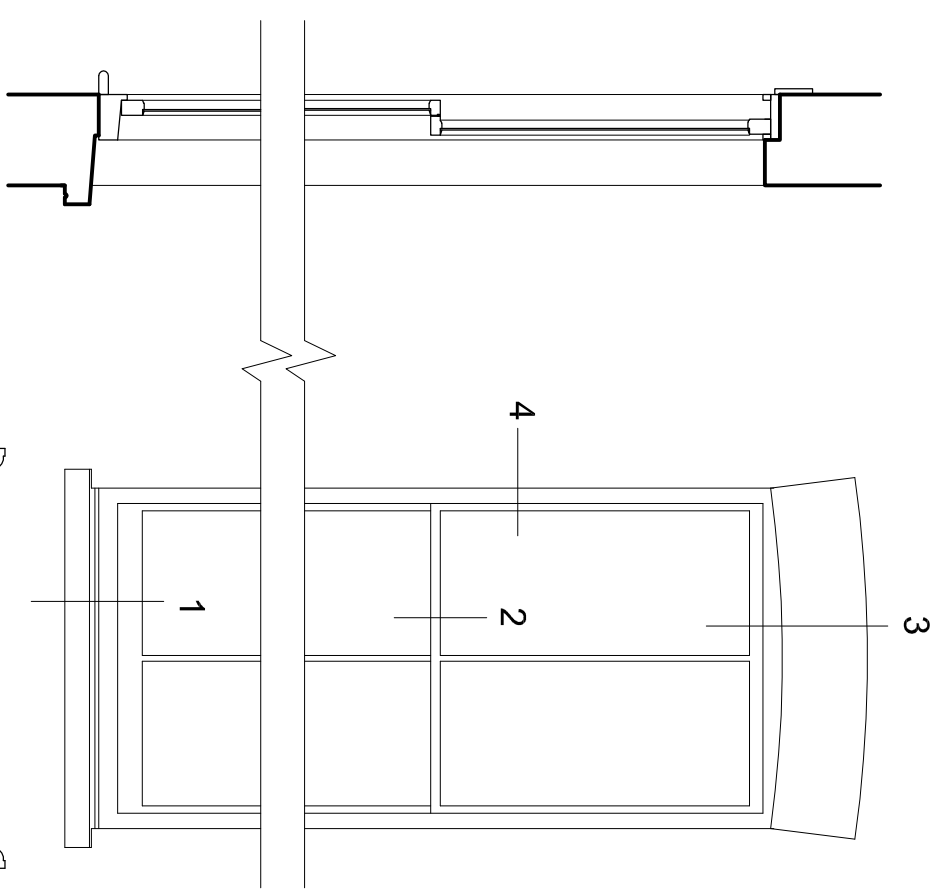


single glazing

2 SECTION transom



1 SECTION cill



DAVIES ARCHITECTURE ©

28 ELLIOTT SQ
LONDON NW3 3SU
TEL 020 7483 0669

JOB
TYPICAL DETAILS

TITLE
EXISTING
DETAILS
SASH WINDOW

DATE
SCALE 1:5 @A3

DRAWING NO TYP-EX-10-01