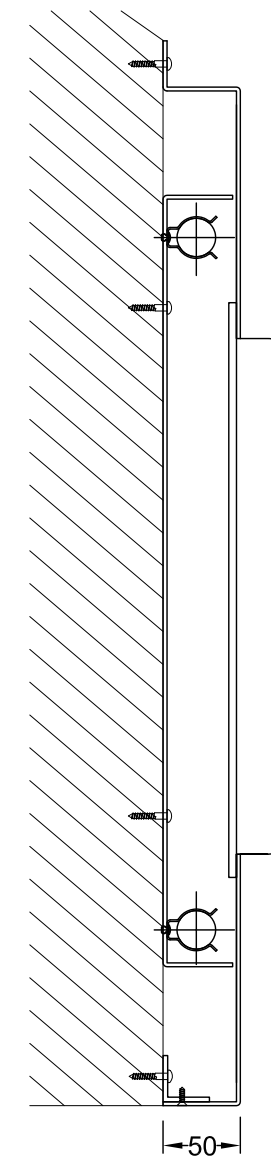
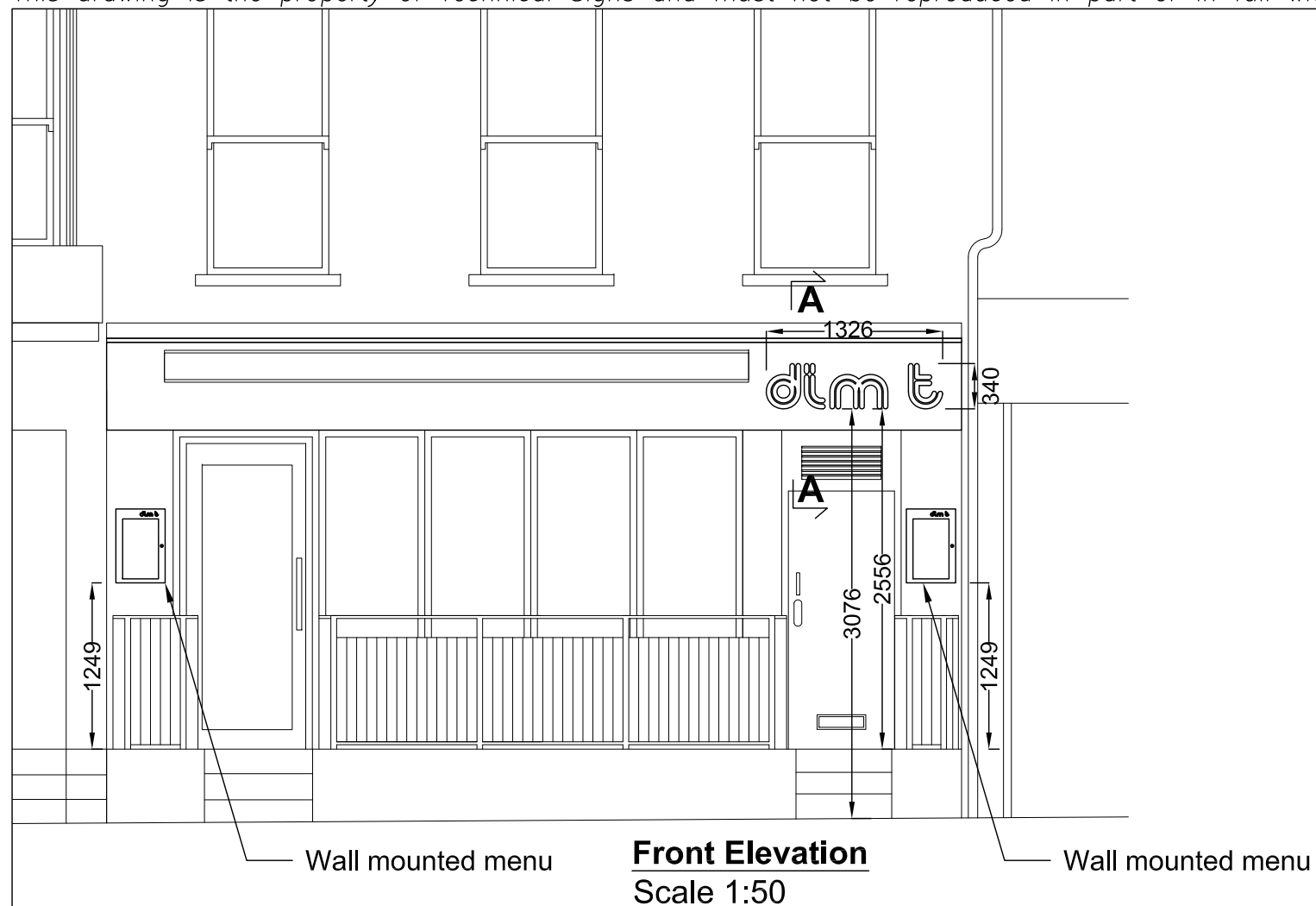
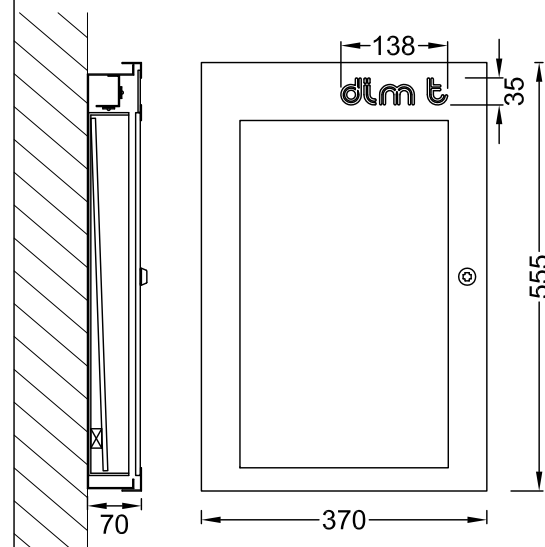


Existing



Section A-A through the text - 2 off
Scale 1:5
Folded and welded 2.5mm aluminium fascia panel is finished gloss grey Dulux 7502y.
Fret cut text is fitted with bull-nosed 40mm clear acrylic which has pink vinyl applied.
Letters are internally illuminated by coolwhite tubes.
An awning box fixes to the face of the fascia panel.



Menu - 2 off
Scale 1:10
Folded and welded 1.2mm descaled stainless steel box is finished gloss grey Dulux 7502y.
Fret cut text has 5mm pink perspex letters.
Steel hinge and slam lock.
6mm toughened glass face.
Black acrylic menu insert.
Internal illumination is provided by white LEDs which are fitted in the top recess.

 Technical Signs Floor 1 - Unit 3 Hille Business Centre 132 St Albans Road Watford, Herts, WD24 4AE Tel: 01923 811999 Fax: 01923 811998 E-mail: info@technicalsigns.co.uk	Client Dim T		
	Address/Job details 32 Charlotte St Fitzrovia W1T 2NQ		
	Existing Signs		
	Job No		
Drawn by DN	Date 14/05/15		
Scale As specified (A3)	Drawing No 481315-1	Rev	