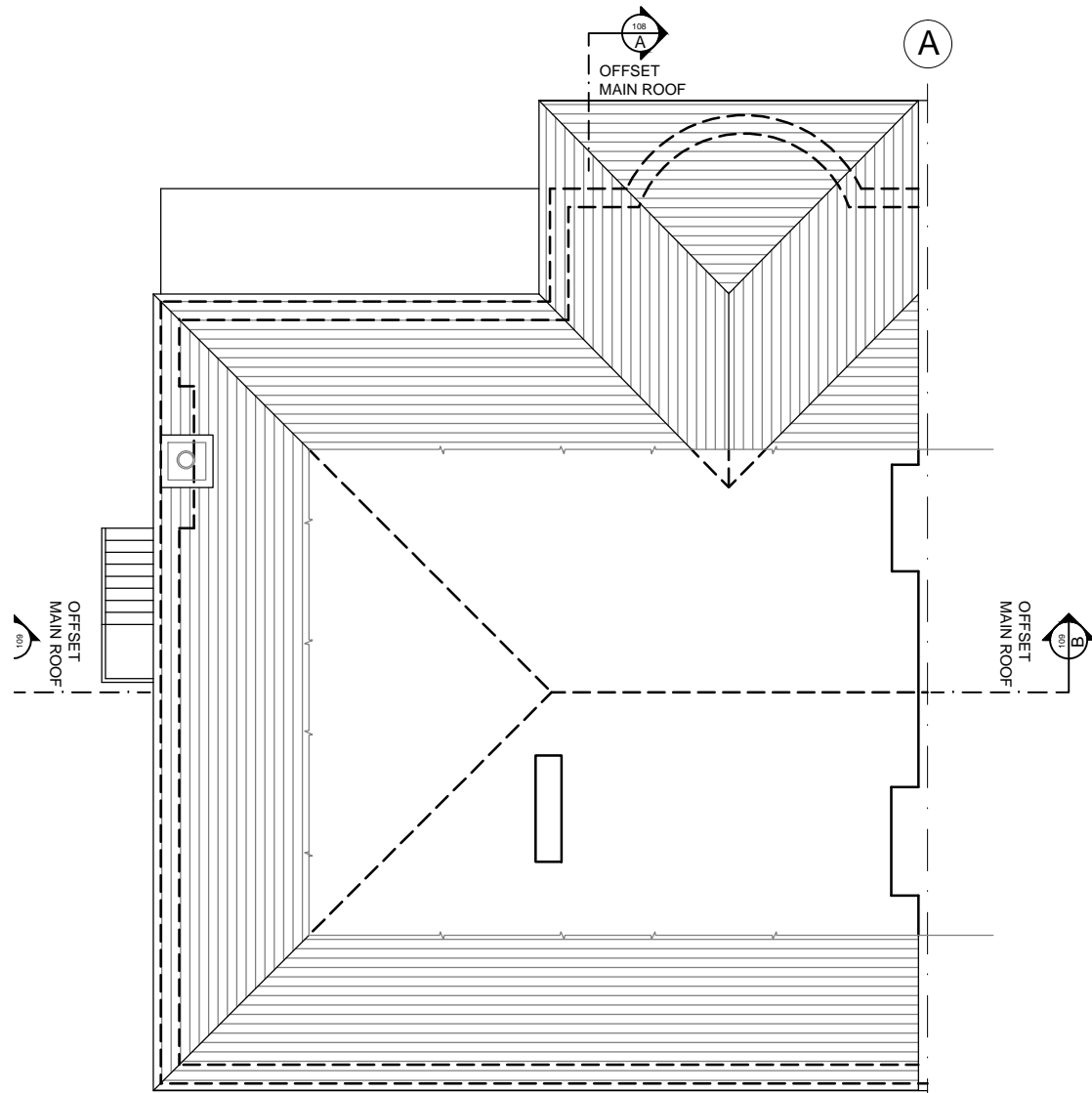
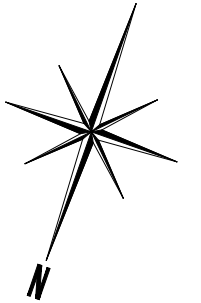
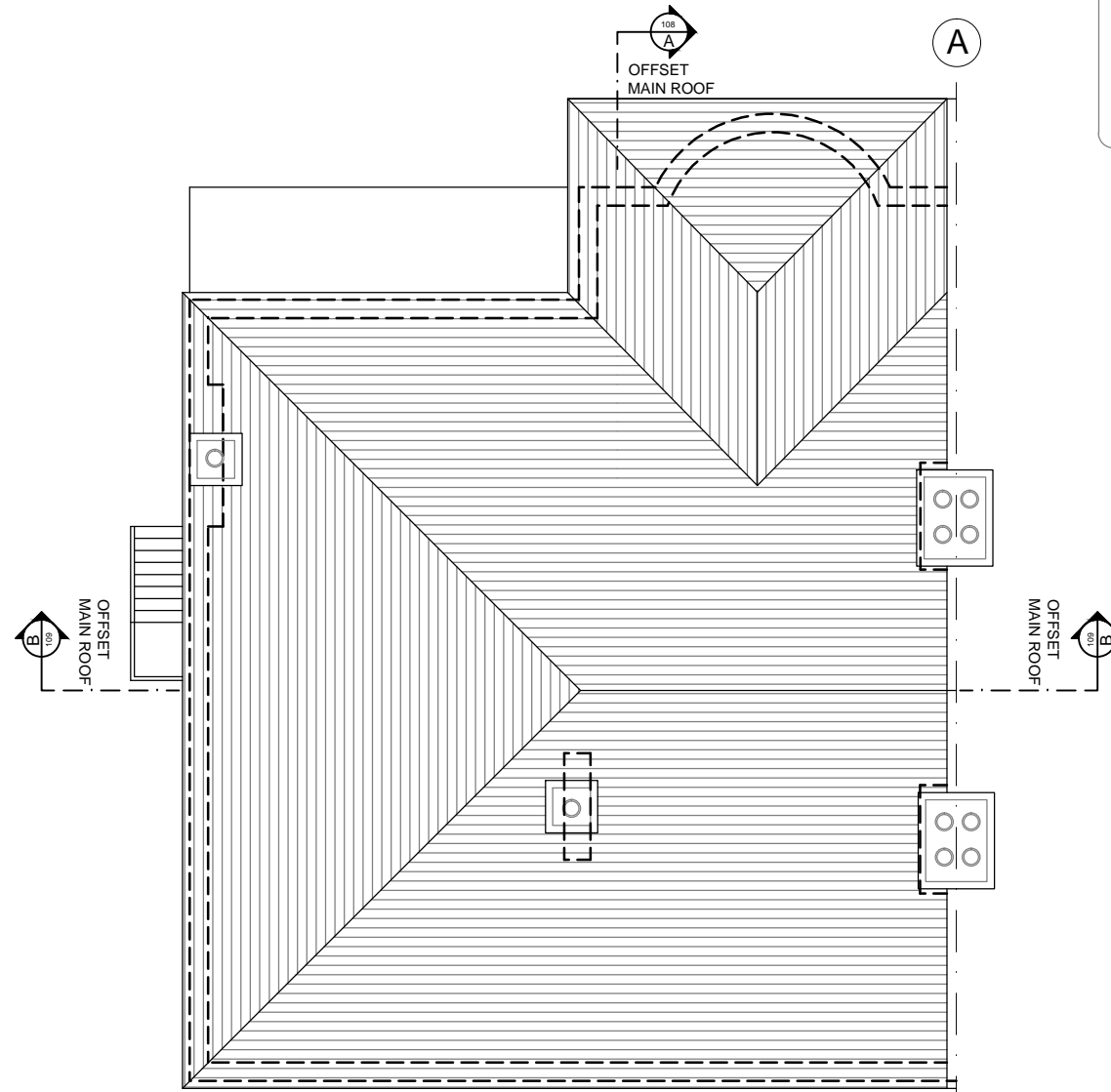


Copyright © NUSPACE
 This drawing is the property of NUSPACE and is the subject of Intellectual Property Rights including copyright and design right and shall not be reproduced, copied, loaned or submitted to any other party without the written consent of NUSPACE.

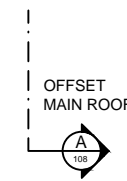
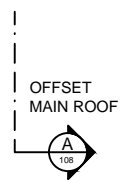
This drawing is not to be scaled. Only figured dimensions to be taken. Any discrepancies to be reported to NUSPACE prior to setting out or ordering of any materials.



Loft Plan



Roof Plan



Client DANIEL & SHELLEY GUTTMAN		 YOUR LOCAL LOFT SPECIALIST 0870 609 1014 www.i-want-nuspace.co.uk
Project 40 MENELIK ROAD FLAT 2 LONDON NW2 3RH		
Job Title LOFT CONVERSION		
Drawing Title EXISTING PLANS		
Drawn SDS	Checked TOL	
Date MAY 2015	Scale 1:100 @ A3	
Drawing No. 103 (P)	Amendment -	