

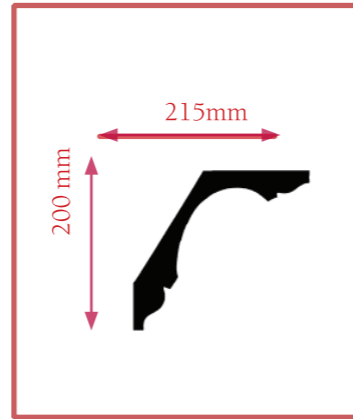
7 Cambridge Gate Design Document: Architectural Profiles

Revision B (P) 06.05.2015

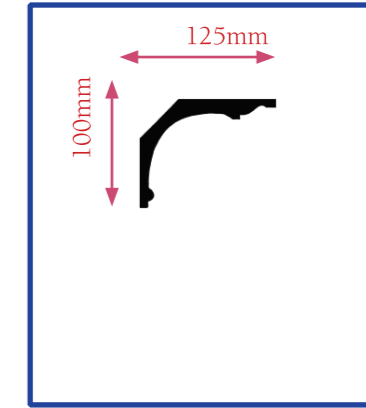
Cornices



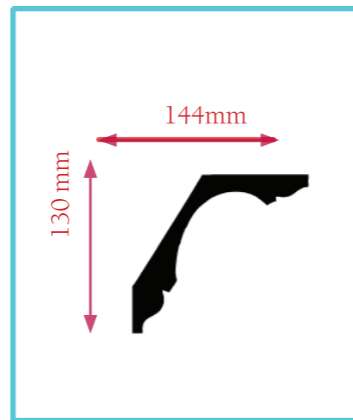
Type 1



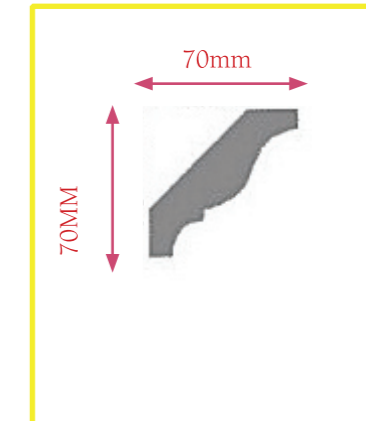
Type 2



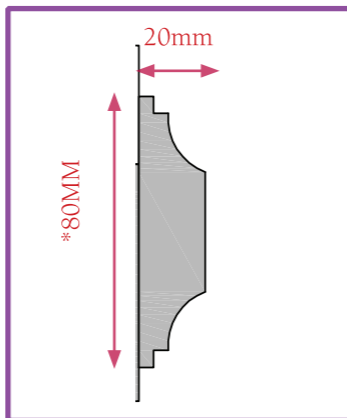
Type 3



Type 4



Type 5



7 Cambridge Gate Design Document: Architectural Profiles

Revision B (P) 06.05.2015

Ceiling Profiles:

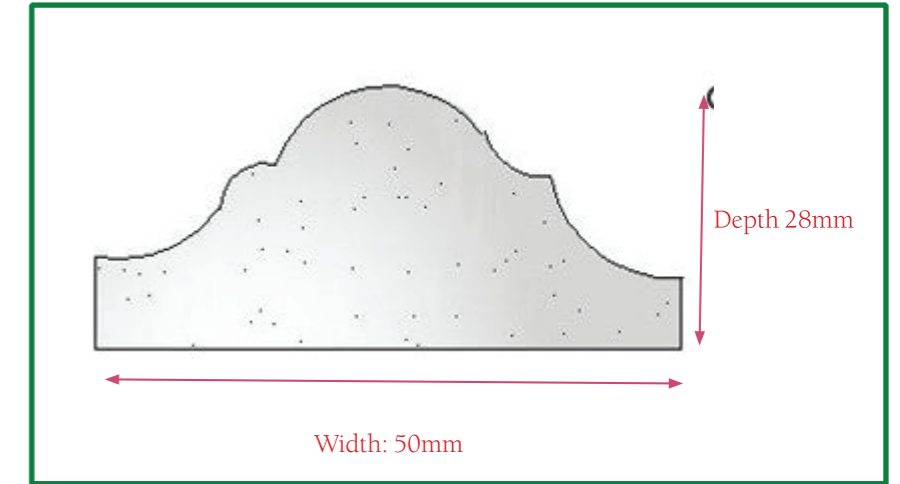
TYPE 6

Celing Rose
3rd Floor
Formal Reception , Formal Library &
Dining Room
Miles & Wilde
MWCR6
Diametre 905mm



TYPE 7

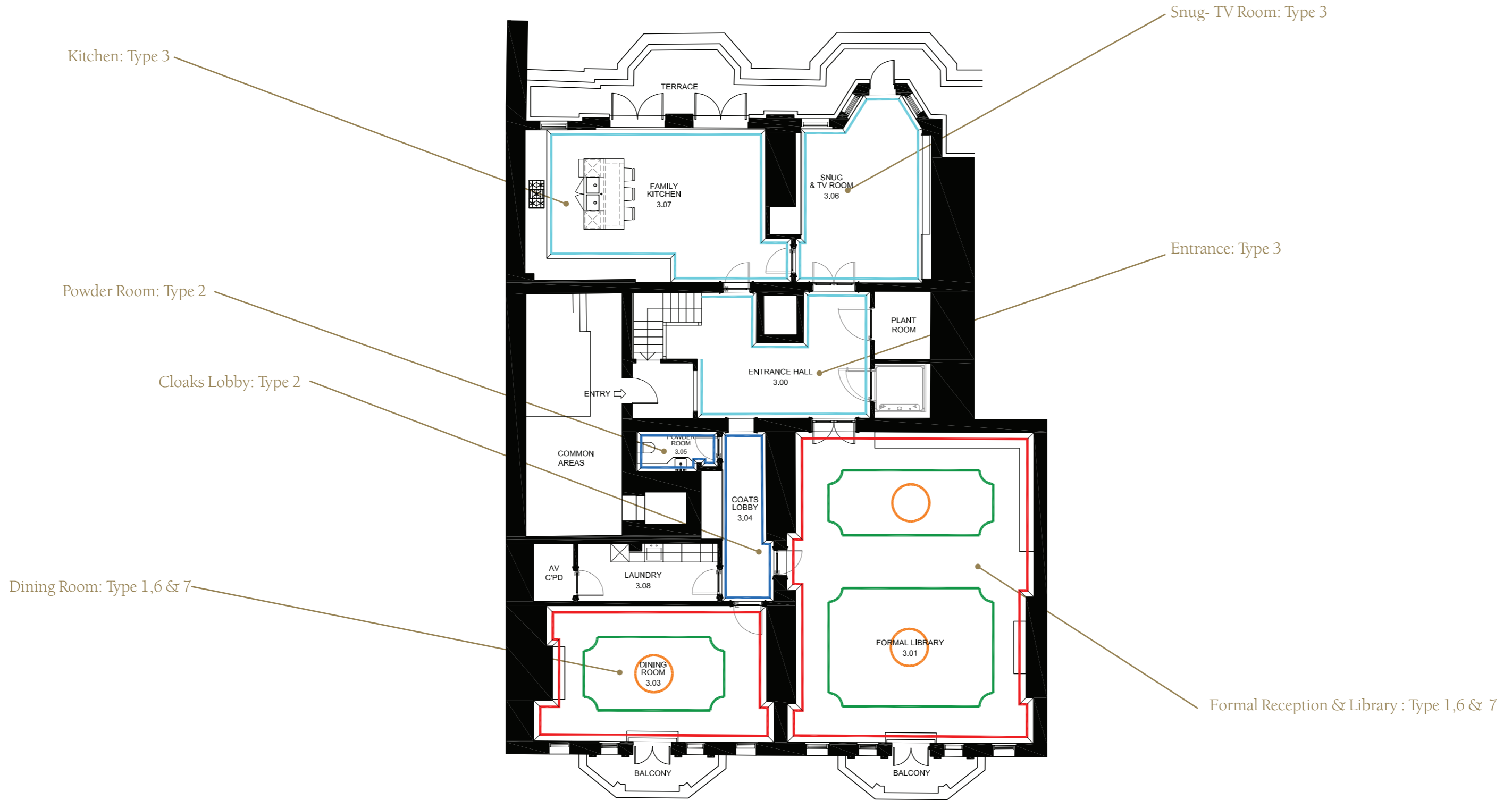
Celing Moulding
3rd Floor
Formal Reception , Formal Library &
Dining Room
ukplaster.com
Panel Mould Small Palin Runn P11
NB: Bespoke Dims



7 Cambridge Gate Design Document: Architectural Profiles

Revision B (P) 06.05.2015

Cornices: First Floor



7 Cambridge Gate Design Document: Architectural Profiles

Revision B (P) 06.05.2015

Cornices: 2nd Floor

