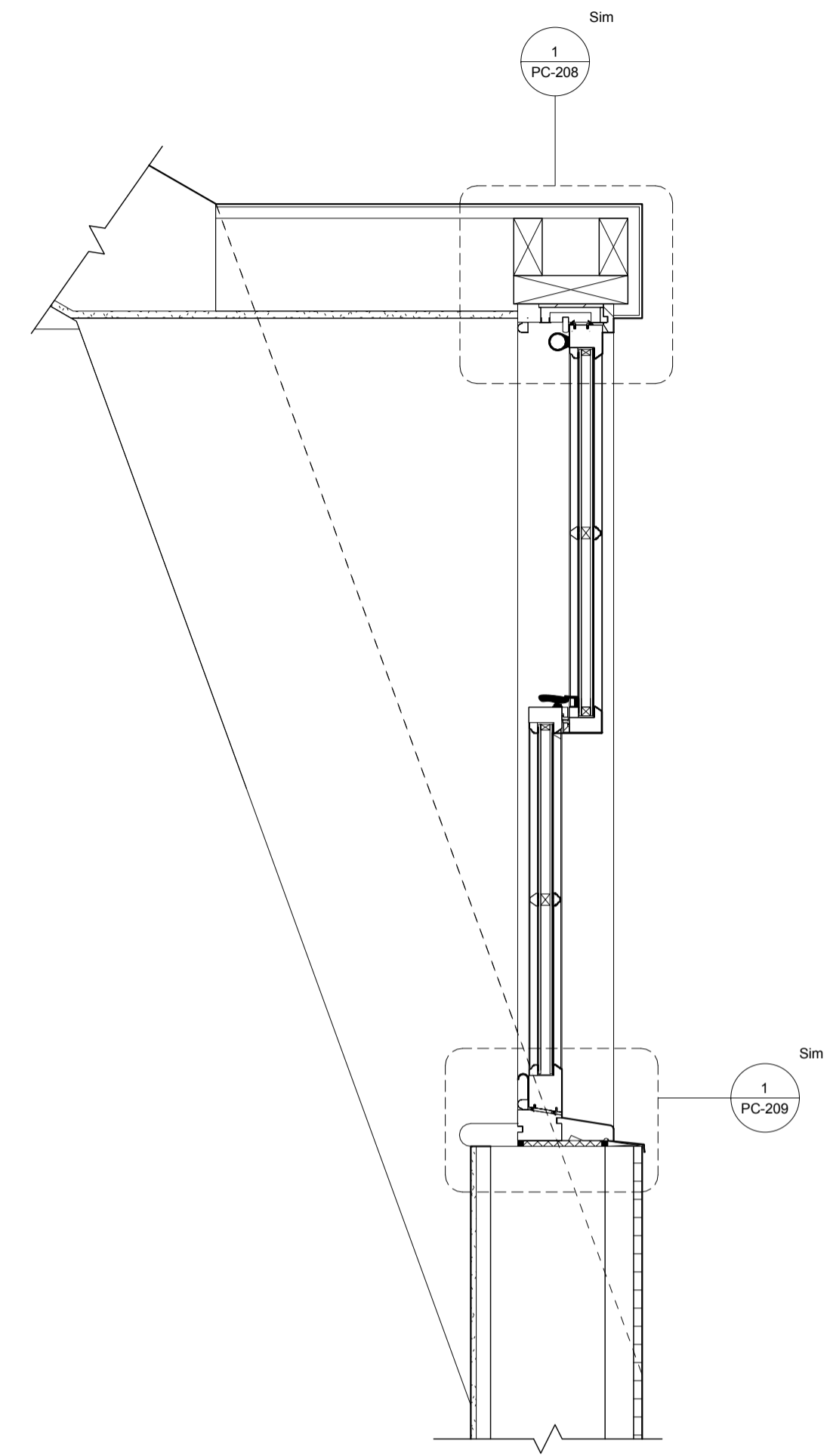
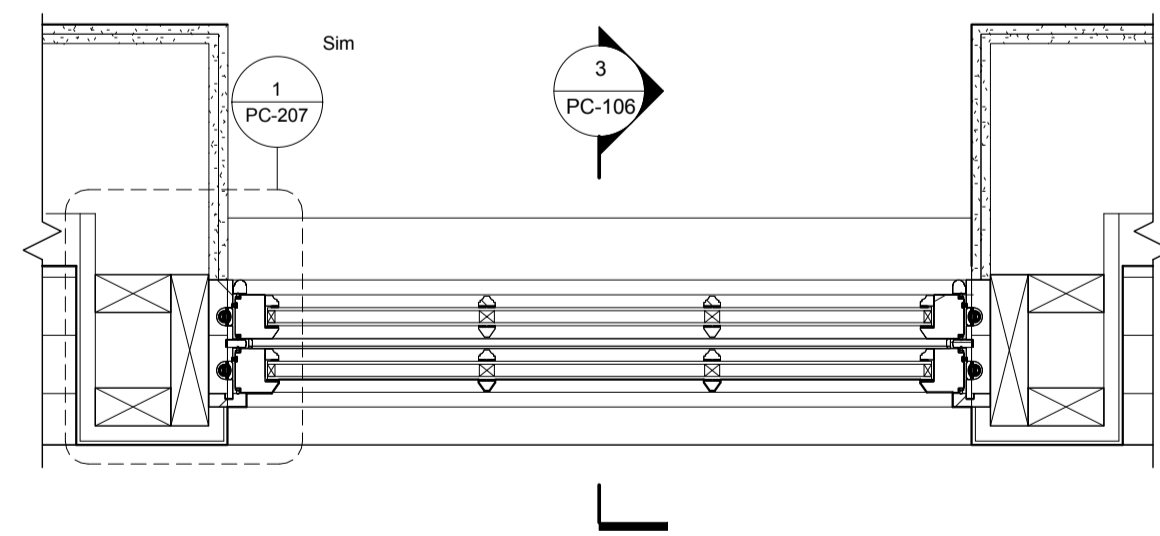


1 ELEVATION  
1:10



3 SECTION  
1:10



2 PLAN  
1:10

**SAFETY, HEALTH AND ENVIRONMENTAL INFORMATION**

In addition to the hazards / risks normally associated with the types of work detailed on this drawing, note the following :

**CONSTRUCTION**  
Drawings to be read in conjunction with the Design Risk Assessment - Refer to Doc No.

**MAINTENANCE/CLEANING**  
Drawings to be read in conjunction with the Design Risk Assessment - Refer to Doc No.

**DECOMMISSIONING / DEMOLITION**  
Drawings to be read in conjunction with the Design Risk Assessment - Refer to Doc No.

It is assumed that all works will be carried out by a competent contractor working, where appropriate, to an approved method statement

**NOTE:**  
Do not scale from this drawing. Contractor to take and check all dimensions on site before work commences. Discrepancies to be reported to the architect. Subcontractor to verify all dimensions on site before making a shop drawing or commencing manufacture. This drawing is copyright.

**RECURSION DESIGN LTD**  
Client  
Little Venice Developments

Project Number: 1007-2015-000001  
**1007 - BRITANNIA STREET**  
2 Britannia Street, London WC1X 9JE

Title  
**PLANNING CONDITION 2 WINDOW W03-08**

Scale  
1:10  
@ A1  
Issue Date  
27/05/15

Drawn By: FI  
Checked By: OS  
Approved By: BD  
Project Stage: STAGE E  
Reason for Issue: PLANNING

Drawing No: RD-1007-PC-106

27/05/15 15:26:52