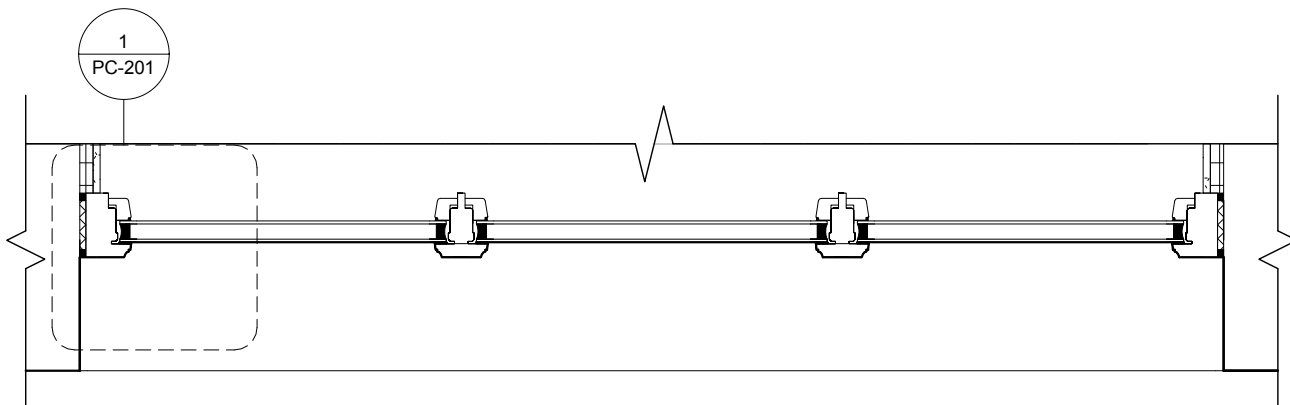


1 ELEVATION
1 : 10

3 SECTION
1 : 10



2 PLAN
1 : 10

SAFETY, HEALTH AND ENVIRONMENTAL INFORMATION

In addition to the hazards / risks normally associated with the types of work detailed on this drawing, note the following :

CONSTRUCTION

Drawings to be read in conjunction with the Design Risk Assessment - Refer to Doc No.

MAINTENANCE/CLEANING

Drawings to be read in conjunction with the Design Risk Assessment - Refer to Doc No.

DECOMMISSIONING / DEMOLITION

Drawings to be read in conjunction with the Design Risk Assessment - Refer to Doc No.

It is assumed that all works will be carried out by a competent contractor working, where appropriate, to an approved method statement

NOTE:

Do not scale from this drawing. Contractor to take and check all dimensions on site before work commences. Discrepancies to be reported to the architect. Subcontractor to verify all dimensions on site before making a shop drawing or commencing manufacture. This drawing is copyright.

RECURSION DESIGN LTD a: 74 Kensington Park Rd, London W11 2PL
t: 0044 (0) 20 7792 0240
e: info@recursiondesign.com

Client
LITTLE VENICE DEVELOPMENTS

Project Number, Name and Address
1007 - BRITANNIA STREET
2 Britannia Street, London WC1X 9JE

Title
PLANNING CONDITION 2 WINDOW WB1-06

Scale
1 : 10 @ A3

Issue Date
27/05/15

Drawn By FI	Checked By GS	Approved By BD	Project Stage STAGE E	Reason for Issue PLANNING
-----------------------	-------------------------	--------------------------	---------------------------------	-------------------------------------

Drawing No **RD-1007-PC-101** Revision