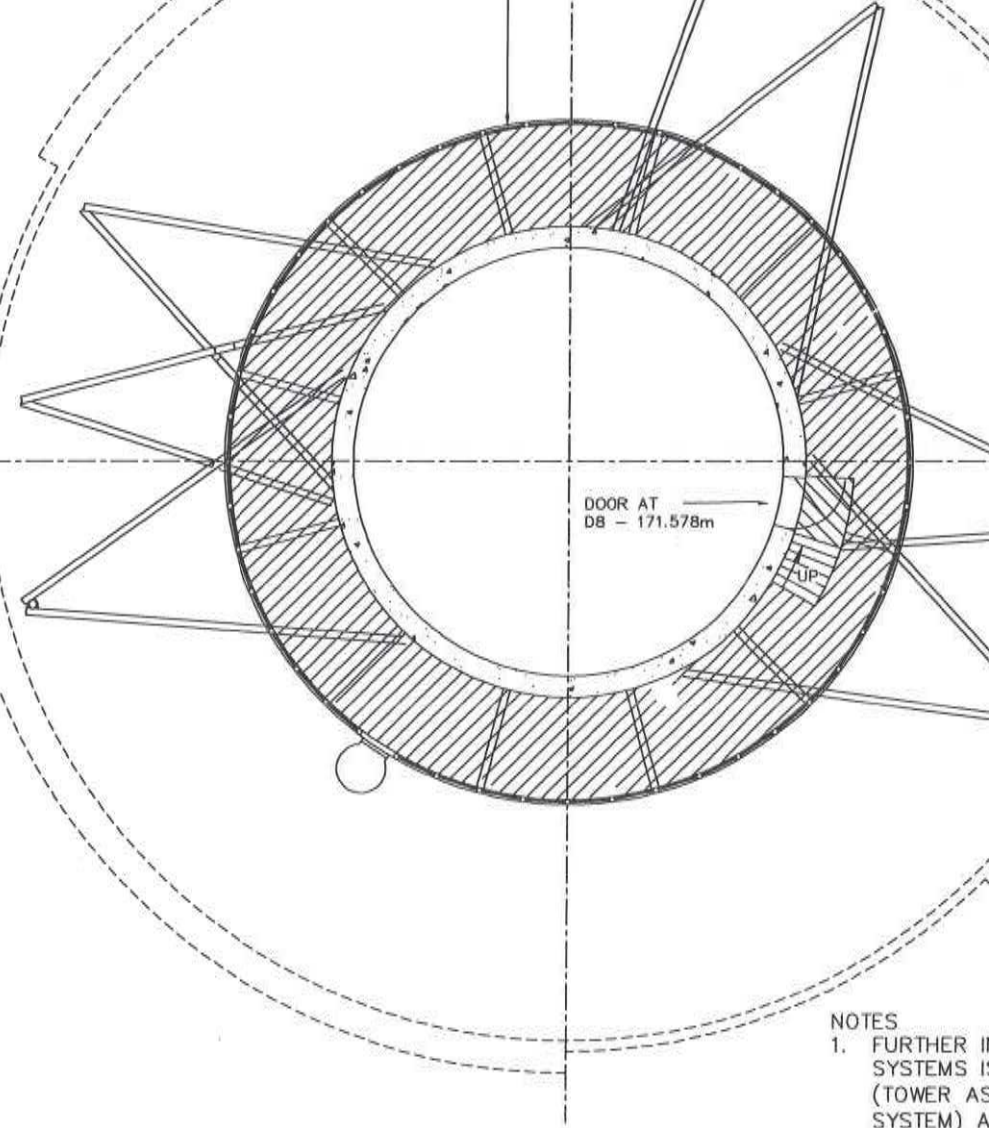
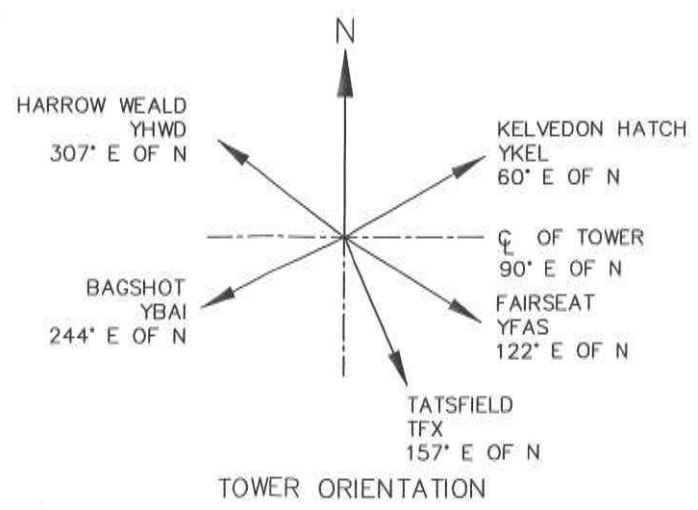


PLAN AT 167.006m ATD  
D7 - T37



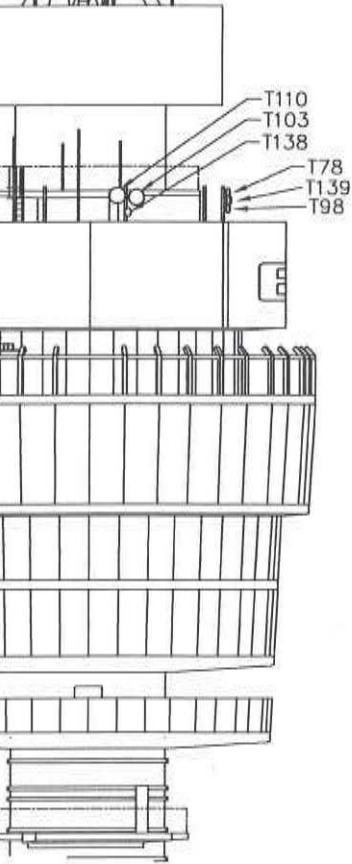
PLAN AT 169.420m ATD



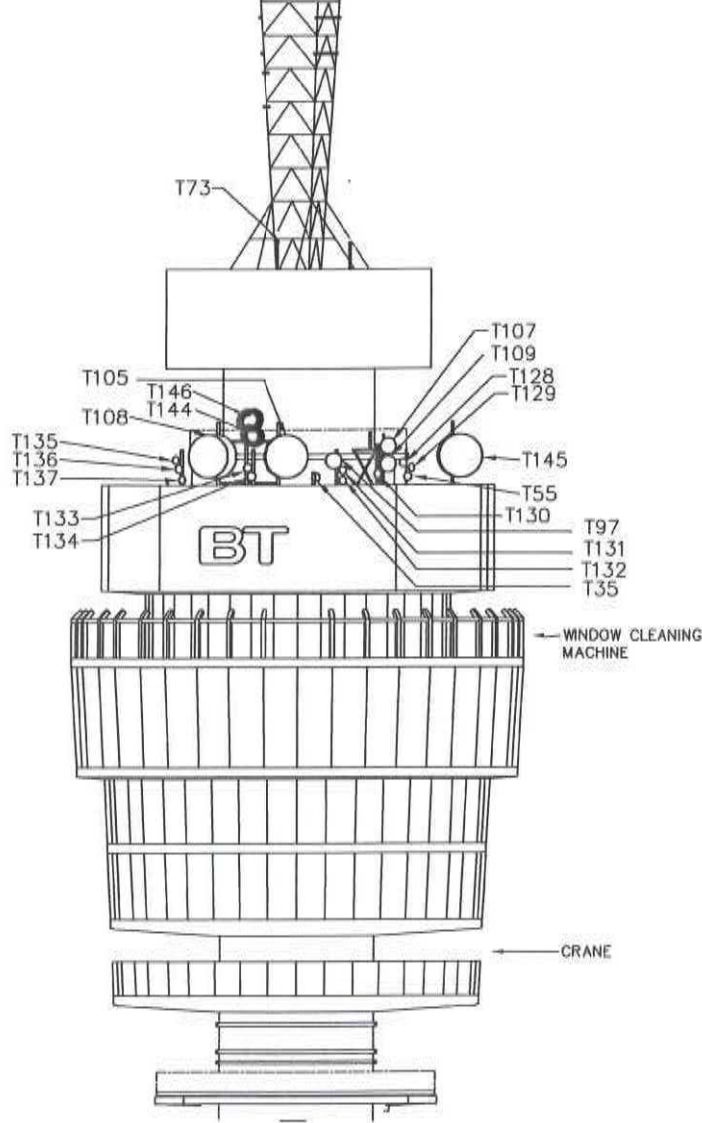
TOWER ORIENTATION

NOTES

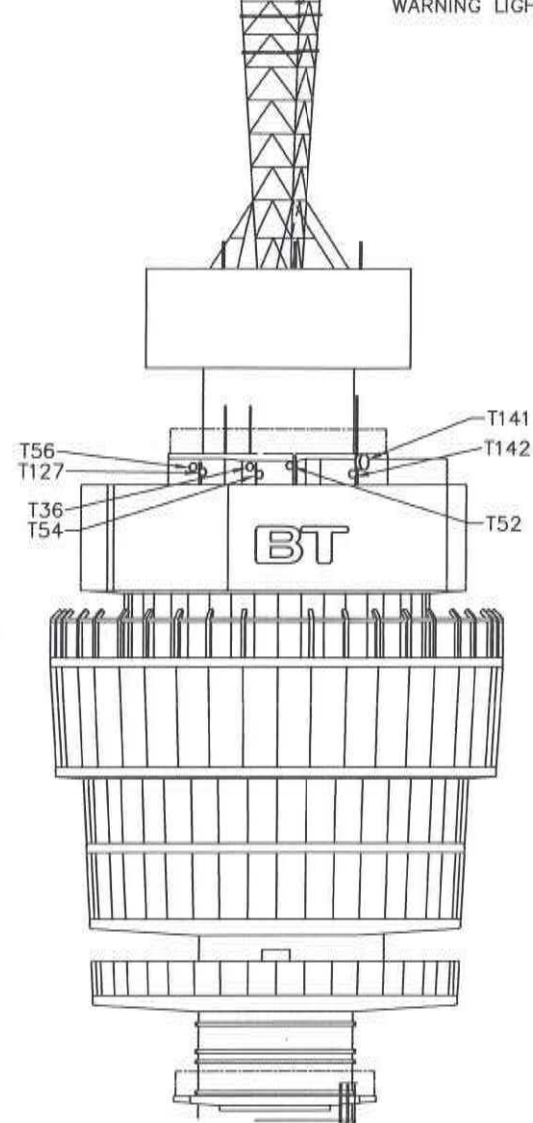
1. FURTHER INFORMATION ON THE SYSTEMS IS TO BE PROVIDED IN A SEPARATE DRAWING (TOWER AS SUPPLIED BY THE SYSTEM) AND DRAWING C 220 7123
2. AERIALS OF THIS TYPE ARE TO BE MOUNTED TO ISIS DOORS
3. STEELWORK MOUNTS TO BE PROVIDED TO BE FOUND IN DRAWING. FOR MOUNTING OF TIE-BARS TO STEELWORK
4. FOR MOST OF THE STEELWORK FOUND ON THIS TOWER OTHERWISE



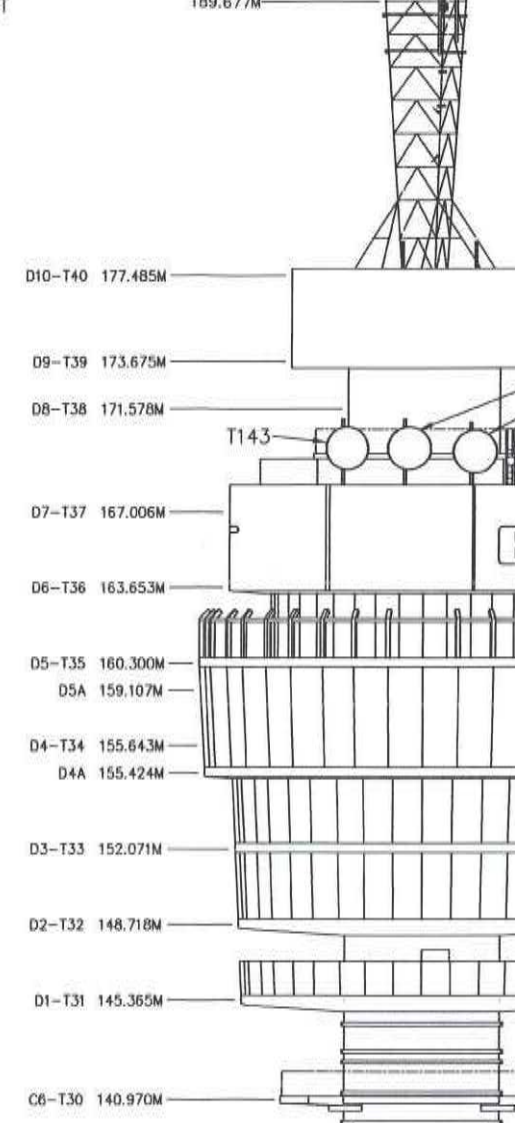
ELEVATION FACING SOUTH



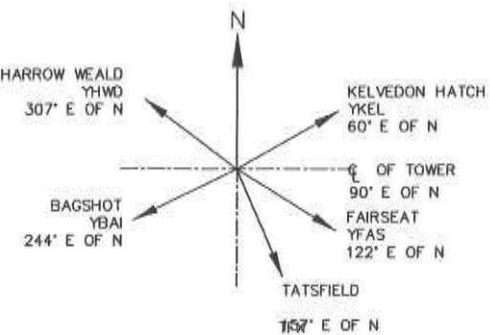
ELEVATION FACING EAST



ELEVATION FACING NORTH



ELEVATION FACING WEST



TOWER ORIENTATION

NOTES

1. FURTHER INFORMATION ON AERIAL SYSTEMS IS HELD ON T.A.M.S. (TOWER ASSET MANAGEMENT SYSTEM) AND MAINTAINED BY THE DRAWING OFFICE, PHONE : 0141 220 7123 FOR MORE INFORMATION.
2. AERIALS ON SITE MUST BE CODED TO ISIS DOCUMENT TMN/RSM/B132.
3. STEELWORK USED TO TIE BACK MOUNTS TO COLUMN BANDS HAS NOT BEEN SHOWN ON THIS DRAWING. REFER TO INDIVIDUAL MOUNT DRAWINGS FOR DETAILS OF TIE-BACKS (STABILISER) STEELWORK.
4. FOR MOST KINGPOST MOUNTS, STEELWORK DETAILS CAN BE FOUND ON DRAWING WL210305. OTHERWISE WL DRAWING NO. UNKNOWN.