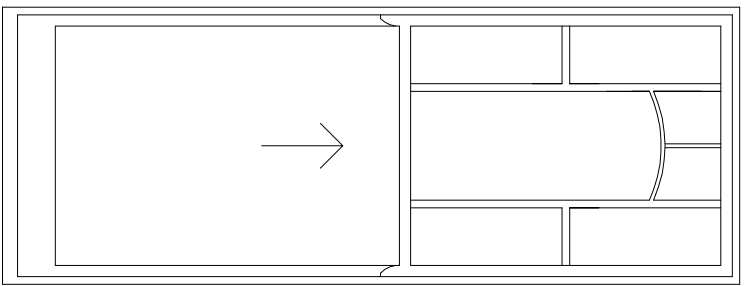
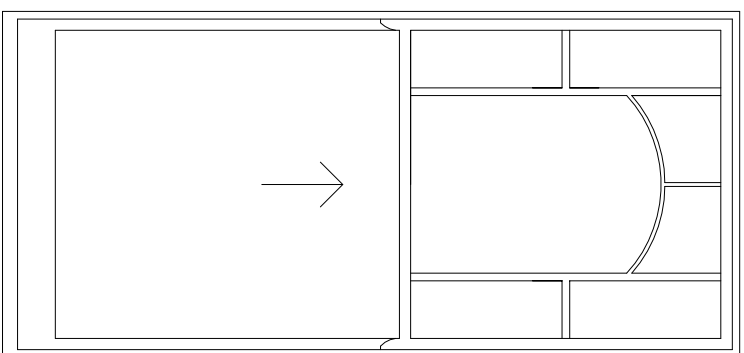


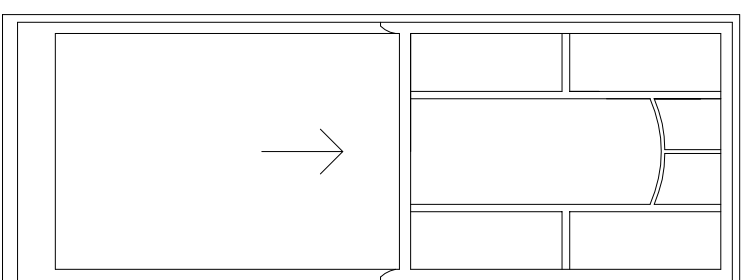
Window A



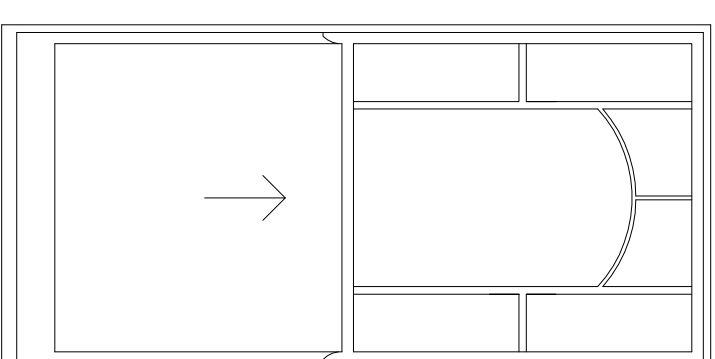
Window B



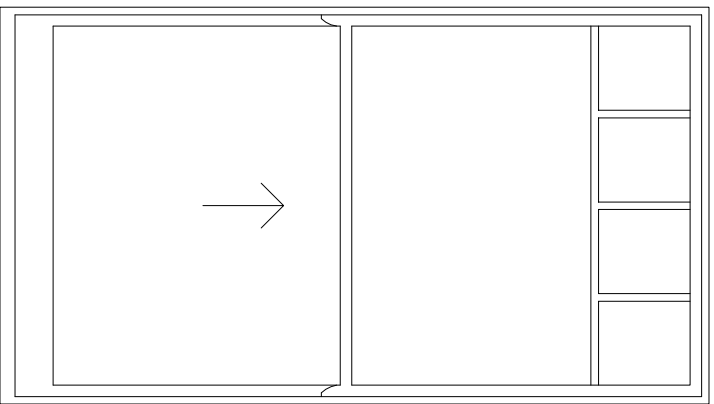
Window C



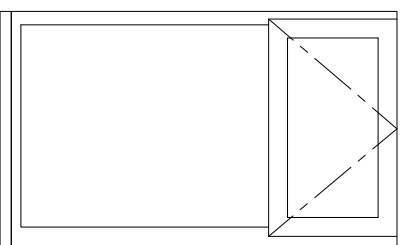
Window D



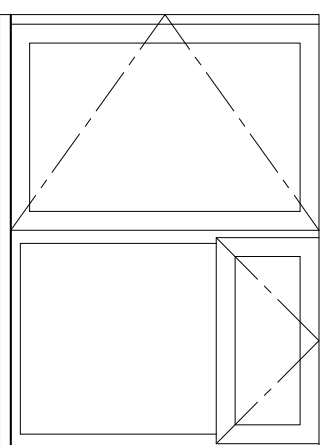
Window E



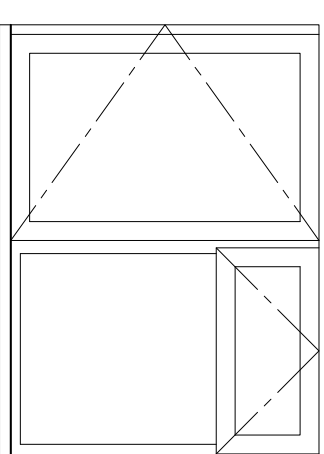
Window F



Window G



Window H



Note
 Windows drawn indicatively. Window sizes to be checked on site. All replacement windows to be PVCu to match existing styles.

The contractor is responsible to ensure that no products are to be utilised that do not comply with relevant British and/or European Standards and/or Codes of Practice, Codes of Regulation, Construction regulations, or which are known or suspected at the time of product selection, to be in accordance with good building practices.

The contractor is responsible for checking dimensions, tolerances, levels and references. The contractor is responsible for ensuring that the drawings are in accordance with the drawings on site or shop drawings.

Where an item is covered by drawings to different scales, the larger scale drawing is to be worked to.

Do not scale drawings. Figured dimensions to be worked to in all cases. This drawing and the copyrights and patents therein are the property of Bally Garner LLP and may not be used or reproduced without consent or attribution.

A3

CLIENT:
 London Borough of Camden

PROJECT:
 27A-B Minster Road

ADDRESS:
 27A-B Minster Road
 Camden
 NW2 3SG

TITLE:
 Existing Window Elevations
 Page 1 of 2
 PURPOSE OF ISSUE:
 Planning

SCALE:
 1:20
 DRAWING NO:
 25645

DATE:
 10/04/2015
 REVISION:
 12



BALLY · GARNER
 146-148 ELTHAM HILL
 LONDON, SE9 5DY
 t. 020 8294 1000
 f. 020 8294 1320
 e. general@ballygarner.co.uk

REVISION	D	C	DATE