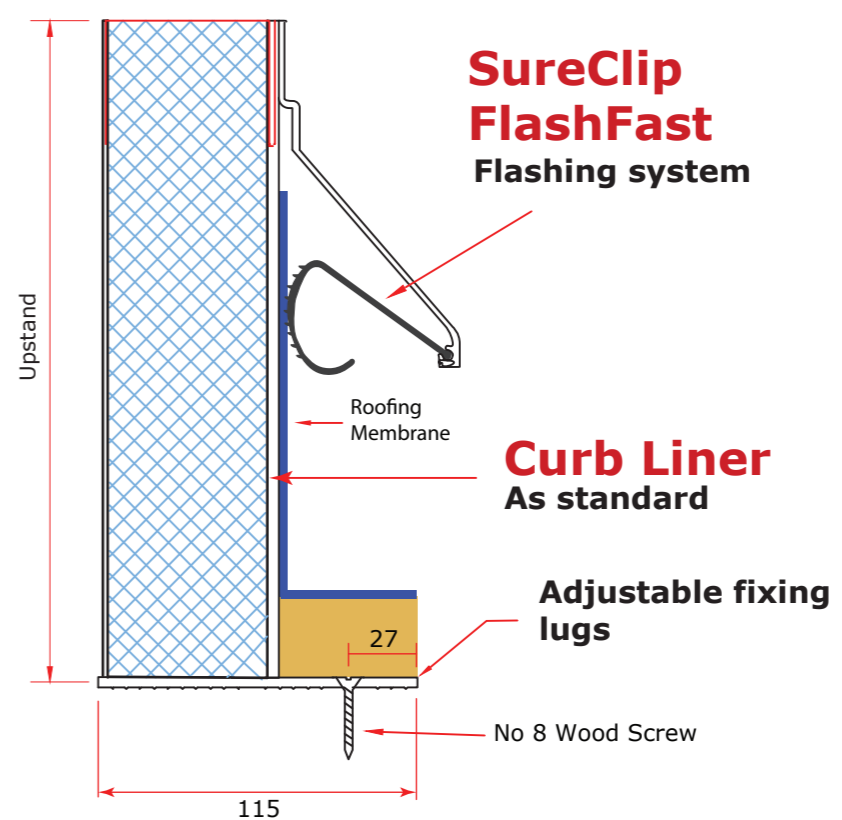
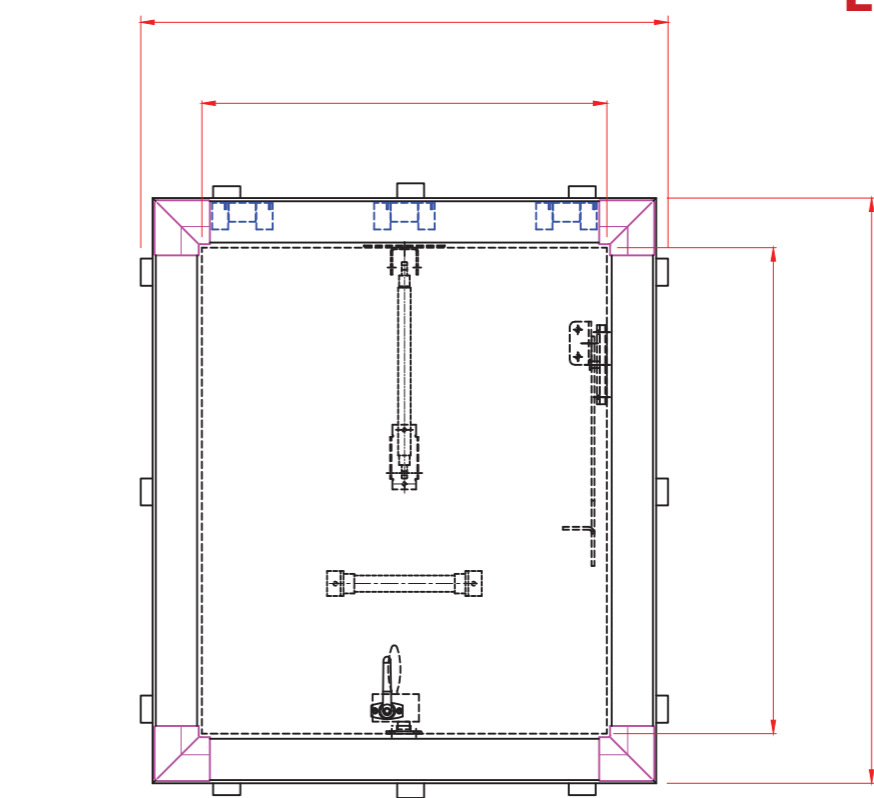
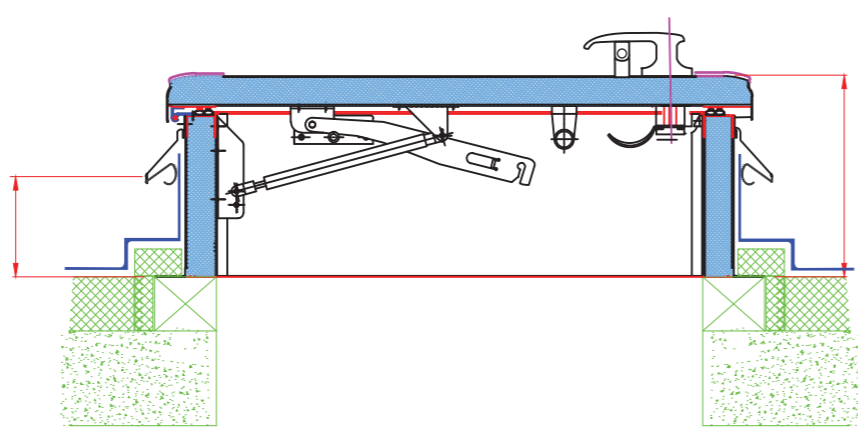
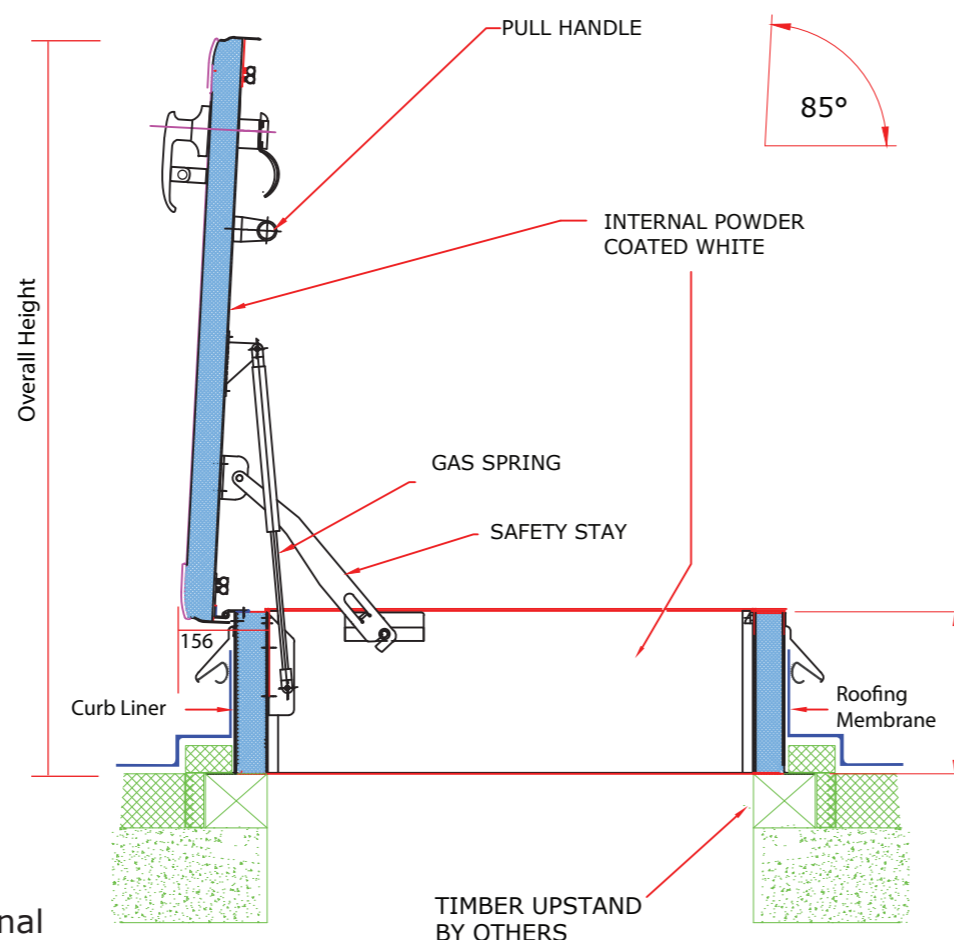


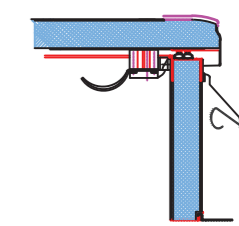
SRHP/TB KEY FEATURES

THERMALLY BROKEN ROOF HATCH

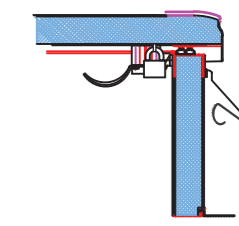
- Thermally Broken lid & frame
- Manufactured in Aluminium or stainless steel
- U-Value of 0.43 W/m²K
- Assisted Lift
- Curb Liner as standard
- Internally Powder Coated White (RAL 9010) as standard.
- External powder coating optional
- The hatch & lid is filled with 50mm CFC and HCFC free insulation.
- 300mm Standard Upstand, 200mm Optional
- Internal Pull Handle
- Sureclip FlashFast membrane fixing system
- Double unbroken seals
- Stainless Steel pintle hinges and all fixings
- Hold Open Stay



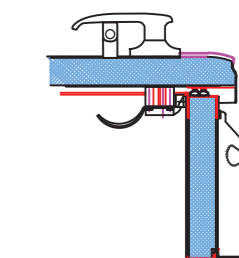
LOCKING OPTIONS



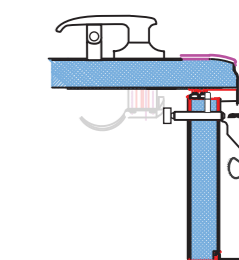
L01 Internal Opening Only
Cablock, internal opening only.



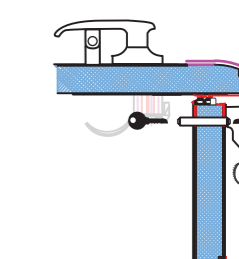
L02 Cablock with Hasp & staple
Internal Cablock with hasp & staple



L04 External Handle/Cablock (As standard)
Internal Cablock with padlockable external handle



L06 European Deadlock
External Key, Internal Thumb Turn Lock



L07 European Deadlock
Internal/External Key Lock Internal Opening.

SIZE

QTY	Length	Width

UPSTAND

LOCKING

MATERIAL

EXTERNAL RAL COLOUR