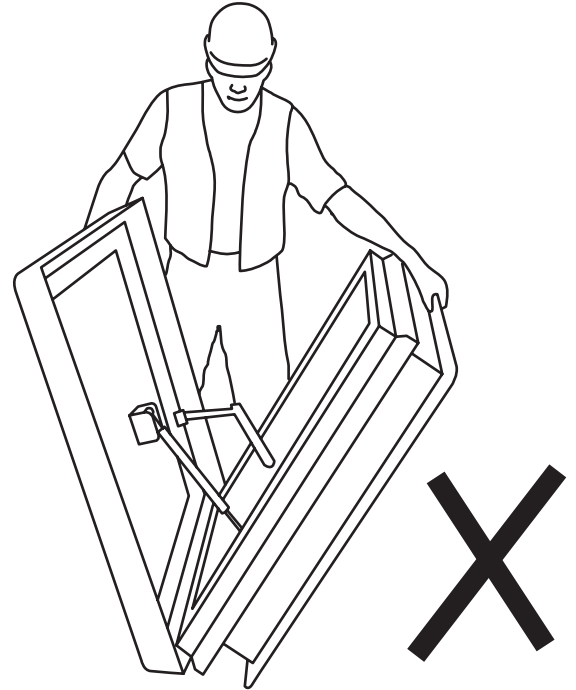
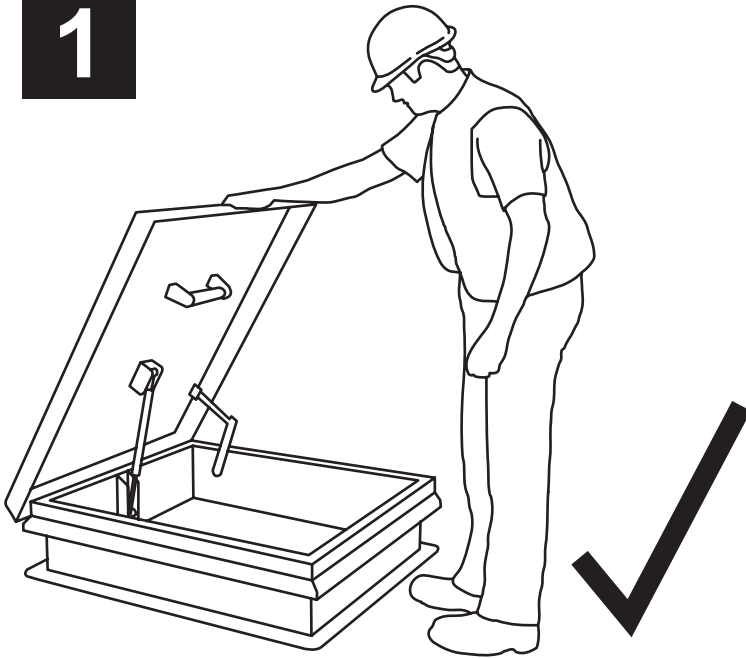




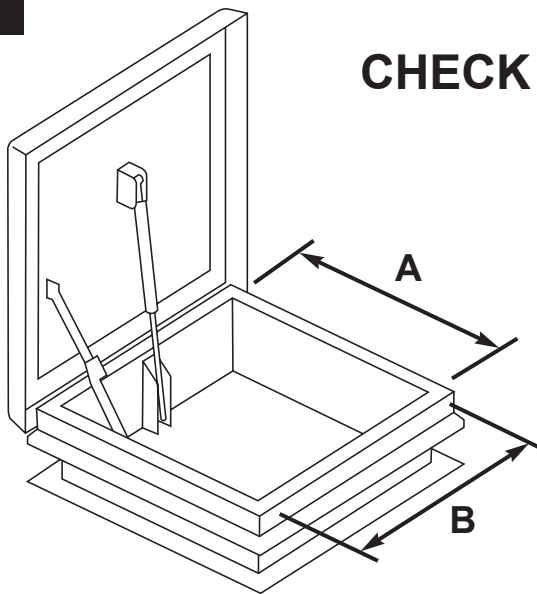
### Handling/Fitting Instructions for SRH Roof Hatch

1

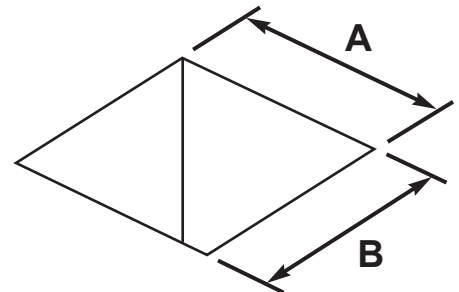


2

**CHECK CLEAR OPENINGS  
MATCH**



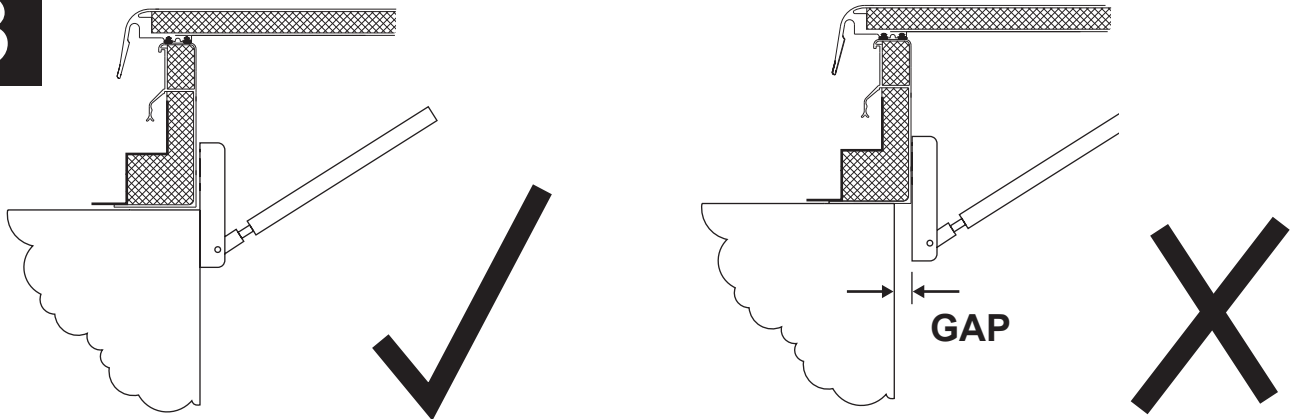
=





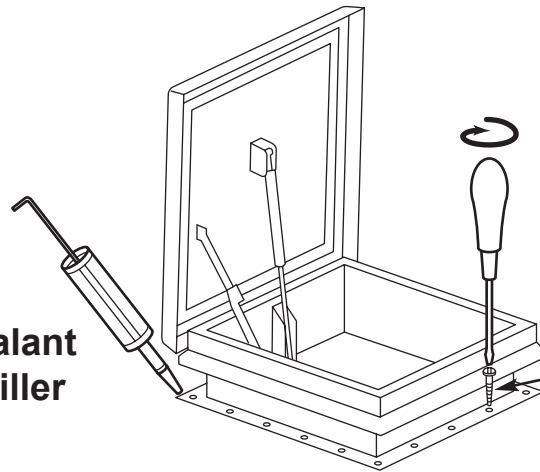
# SURESPAN

## 3



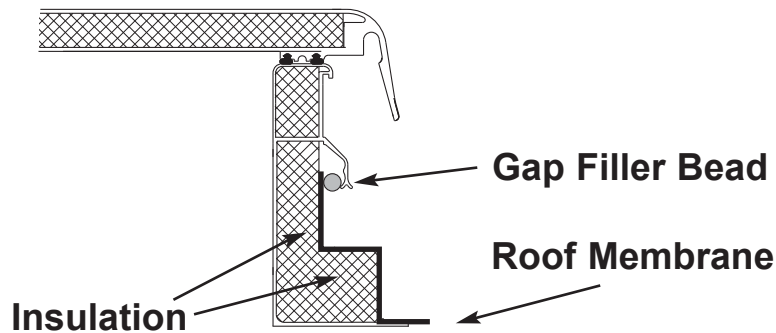
## 4

Mastic Gun for Sealant  
or Fire Resistant Filler



8mm Screws or  
8mm Anchors for  
Fire Rated Hatches

## 5



For further information contact:  
Surespan Limited  
Leamore Close  
Leamore Enterprise Park  
Walsall  
West Midlands  
WS2 7NL  
Tel: +44 (0)1922 711185  
Fax: +44 (0)1922 714099  
Email: sales@surespancovers.com



# SURESPAN