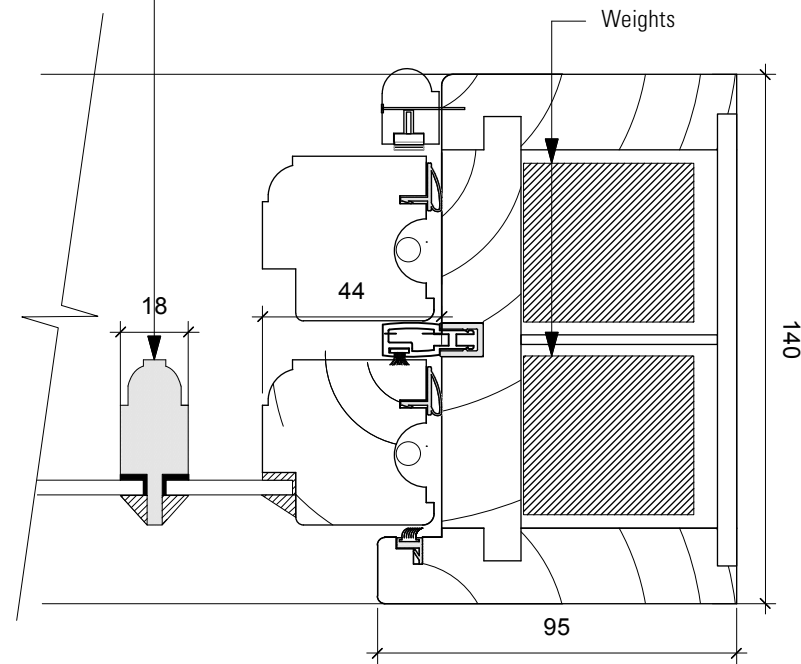


A Head/Sill Detail
1:2 @ A3

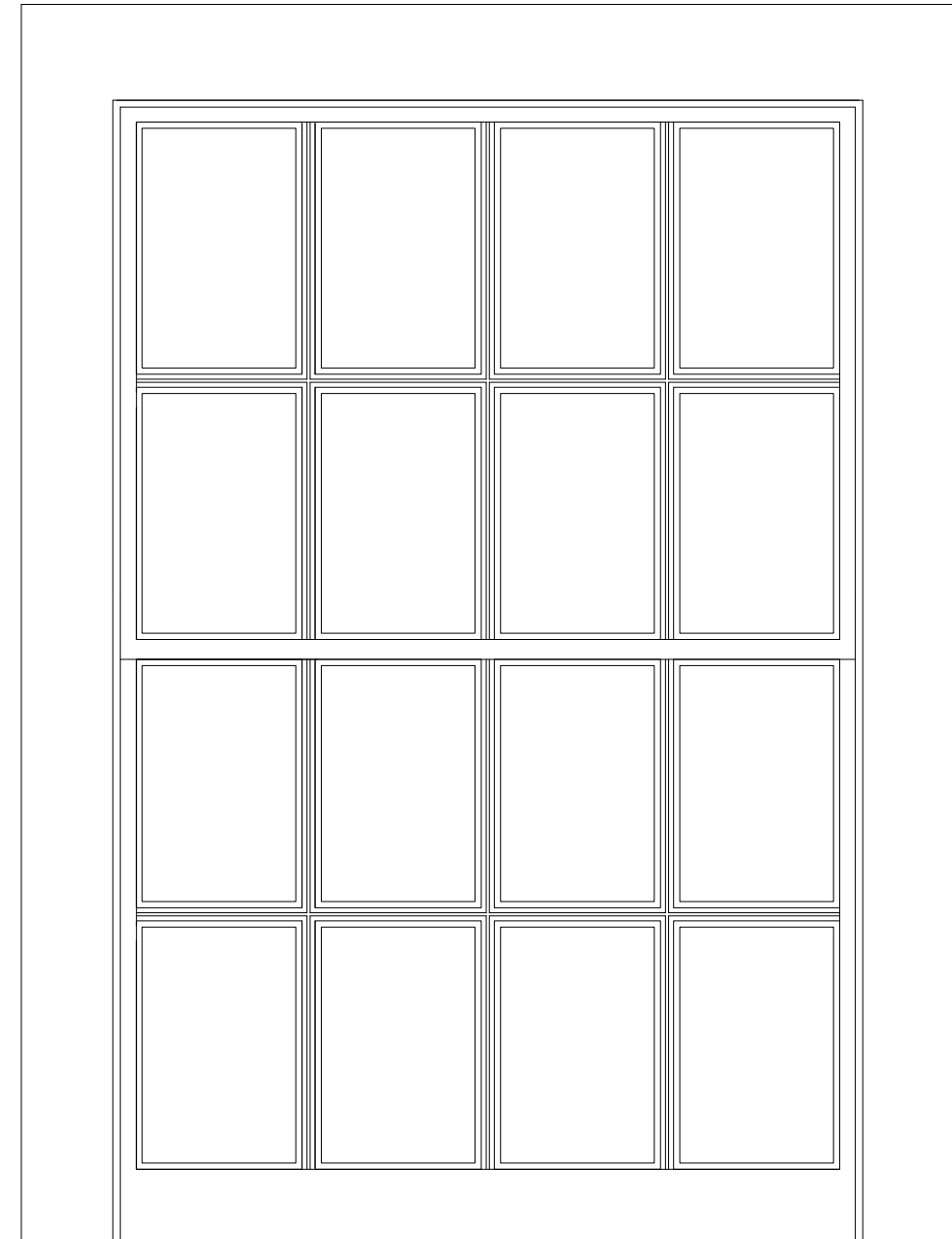
Solid timber integrated glazing bar

Solid timber integrated glazing bar

Weights



B Jamb Detail
1:2 @ A3



C Elevation
1:10 @ A3

Revisions		
P1	17.12.14	Planning discharge issue

**HARPER
DOWNIE**
CREATIVE
ARCHITECTURE

Gate House
1 St John's Square
London EC1M 4DH

T +44 20 7490 7674
studio@harperdownie.com
www.harperdownie.com

Project Greville Place	Status Planning Discharge	Drawn NM	Checked
Drawing Title Typical Conservation Sash Window Detail	Scale Varies (See Drawing Titles)	Date Dec 2014	Revision P1
Drwg. No. 569cW01			