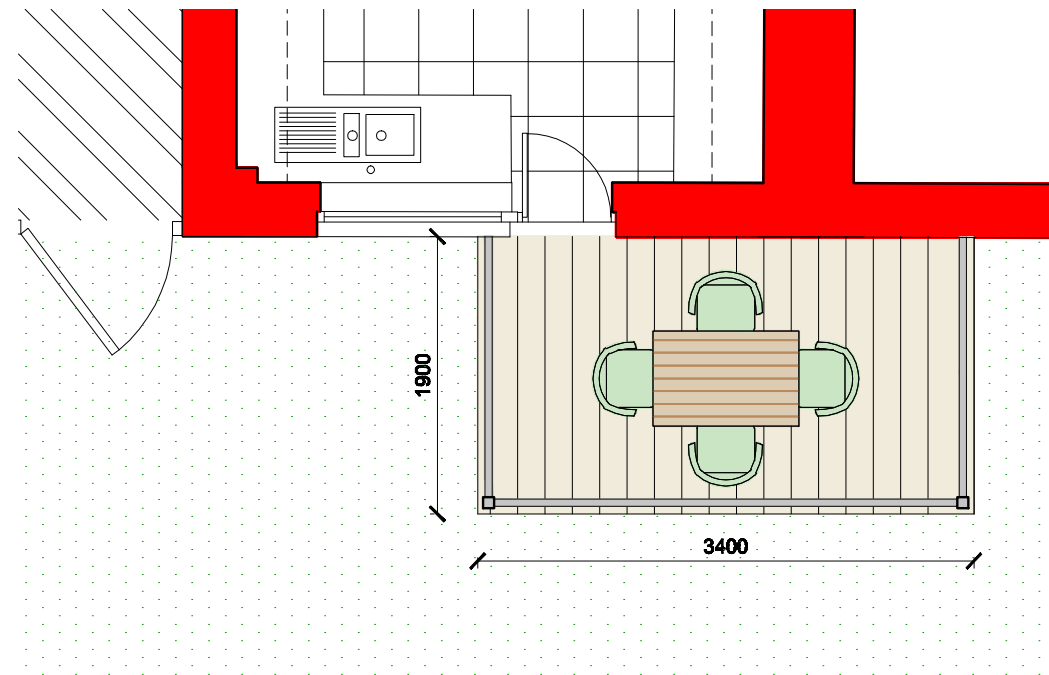
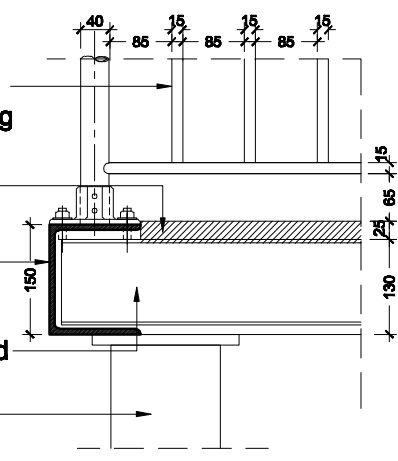


Figured dimensions only are to be taken from this drawing.  
 All dimensions are to be checked on site before any work is put in hand  
 if in doubt ask!  
 Any discrepancies in the drawings should be referred to the architects for clarification.  
 All dimensions to be verified on site prior to construction (inc. site  
 dimensions)  
 All dimensions (unless otherwise indicated) are to finish faces.



**PLAN**  
**SCALE 1:50**

MS balustrade and handrail as existing painted.  
 25mm H/W Floor to MS Balcony  
 RSC all round to Engineer's Detail.  
 MS Balcony painted  
 150mm DIA M/S supporting column painted to Engineer's Detail



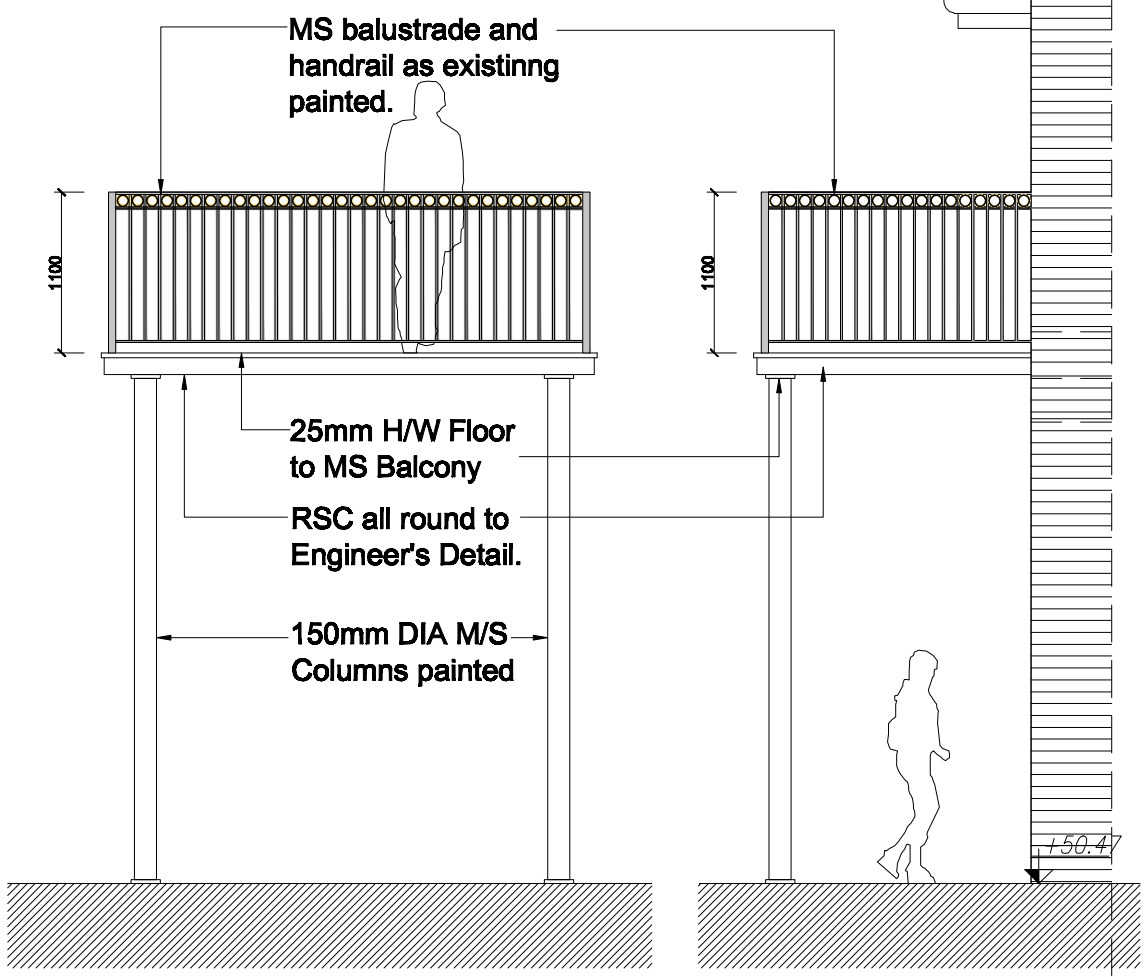
**BALCONY DETAIL**  
**SCALE 1:10**



**EXISTING BALCONY- IMAGE 01**



**REAR ELEVATION (PART)**  
**SCALE 1:50**



**ELEVATION**  
**SCALE 1:50**

**SIDE ELEVATION (PART)**  
**SCALE 1:50**

Mark	Drawn	Date	Checked
A	BALCONY POSITION AMENDED	MZ 22.09.14	
B	BALCONY AMENDMENTS	MZ 22.10.14	
C	BALCONY AMENDMENTS	EY 28.04.15	

**Nicholas Meletiou**  
**ARCHITECTS**

www.nicholasmeletiou.com

3, The Square,  
 Richmond,  
 SURREY, TW9 1DY

Tel. 0208 948 4209  
 Fax 0208 948 4208

Client  
**KLARET SERVICES LTD.**

Job Name  
**9 FROGNAL LANE, NW3**

Drawing Title:  
**PROPOSED REAR BALCONY  
 DESIGN AND SUPPORTS**

Scale: 1:50 @ A3	File Name: 804	Dwg No: <b>A7</b>
MZ	<b>804</b>	Revision No: <b>C</b>
	09.04.2014	

