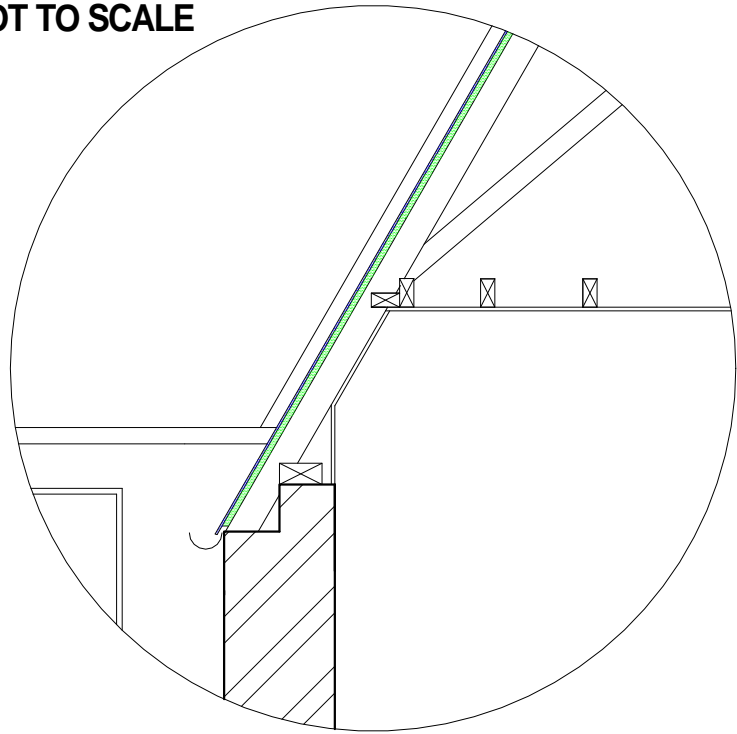







NOT TO SCALE



KEY	
	Slate tiles
	Battens
	Asphalt

NOTE
- Roof pitches are approx.

	 chartered building surveyors Tel: 020 8905 7505 Fax: 020 8205 5374 Symal House, 423 Edgware Road, London, NW9 0HU	Client: The Pryors LTD	Date: Mar 2015	Scale: 1:50@A3
		Location: The Pryors NW3 1BS	Dwg. No.: 14-062-B-TCP-14	
		Title: The Pryors - Section CC - As Existing		