

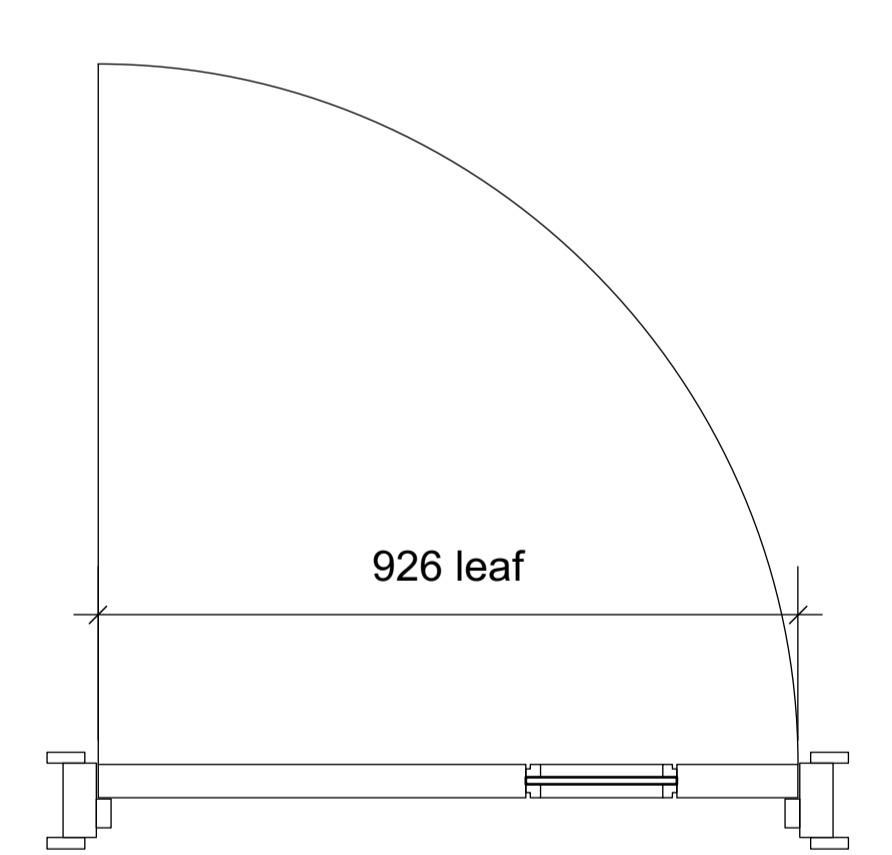
Door Type D7

Doors: DF.14

leaf size: width x height to suit opening

Door Type D7f (FD 30 S)

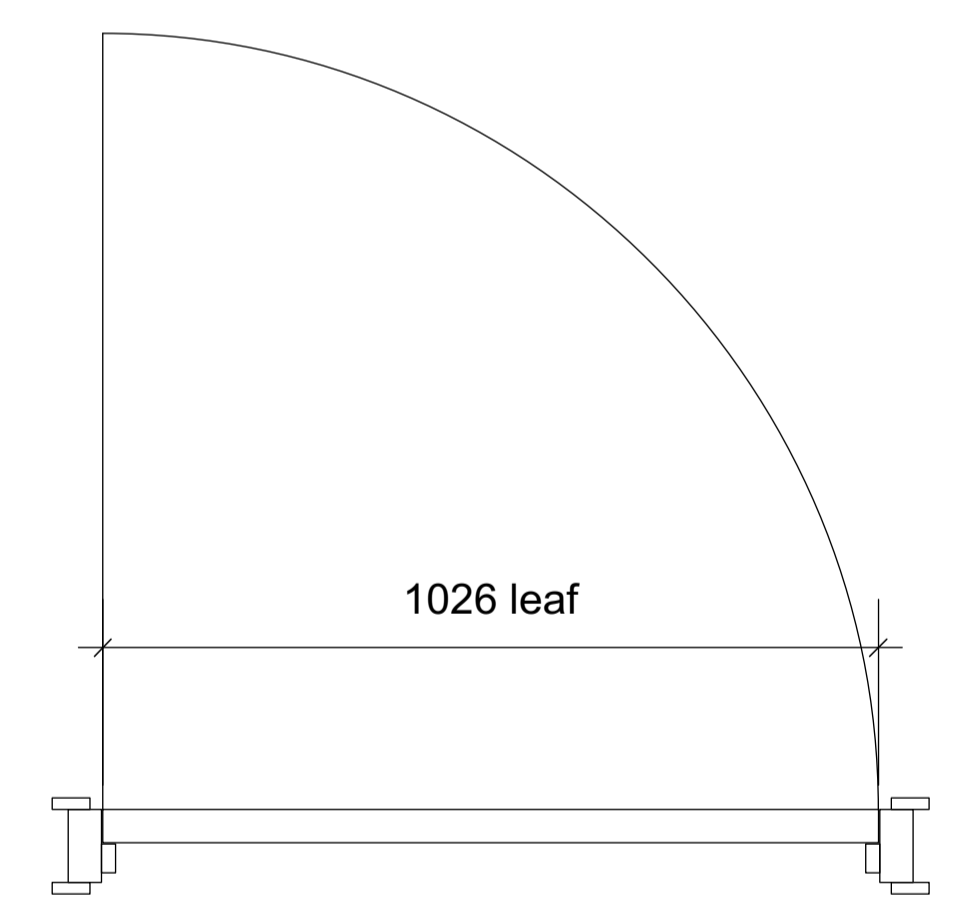
Doors: DF.10



Door Type D8f (FD 30 S)

Doors: DF.09; DF.17; DF.19

leaf size: 926 x 2040



Door Type D9f (FD 30 S)

Doors: DG.14

leaf size: 1026 x 2040

GENERAL NOTES

1. This drawing is the copyright of Haines Phillips Architects.
2. Do not scale from this drawing. Use figured dimensions only.
3. This drawing must not be used for land transfer purposes, or for construction purposes unless accompanied by an Architect's Instruction.

FILE REFERENCE
Details/Door Elevations

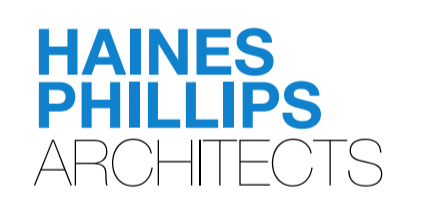


DRAWING ISSUE STATUS

ISSUE	STATUS	COMMENT
SK	SKETCH	
P	PRELIMINARY	
PL	PLANNING	For comment and review Planning/Listed Building Application
T	TENDER	For pricing purposes only
C	CONSTRUCTION	For procurement & construction Record drawings on completion
AB	AS-BUILT	Conveyancing or other legal purposes
L	LEGAL	

REVISIONS

REV	DATE	NOTES
1	10/2014	Preliminary Issue.
2	27/1/15	Notes and details added.
3	24/3/15	Door Type D7f added. Issued for Billing.



Tankerton Works
12 Argyle Walk
London WC1H 8HA
020 7833 9324
020 7837 2864
office@hainesphillips.co.uk

JOB TITLE

LAUDERDALE HOUSE
Highgate N6 5HG

DRAWING TITLE

DOOR ELEVATIONS
DOOR TYPES D7, D8, D9

DRAWN DATE
ED 10/2014

SCALE
1:10 @ A1

JOB NR DRAWING NR ISSUE REV
3712 DA 413 P 3