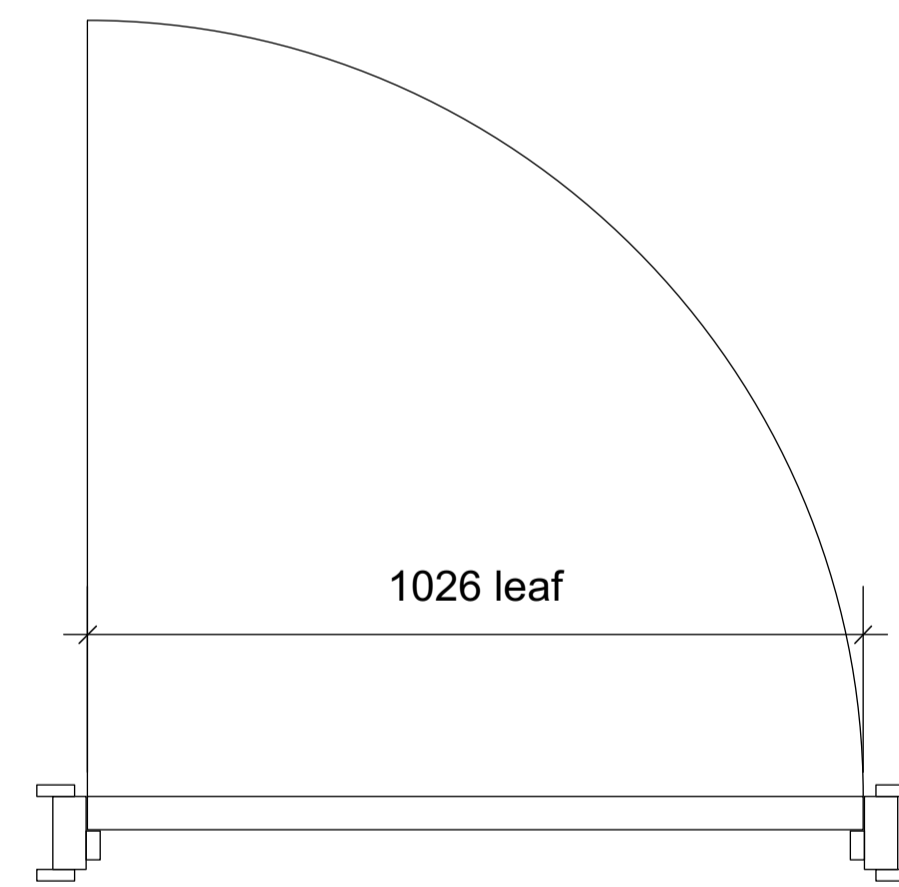


Door Type D1
Doors: DG.15; DG.16; DG.41; DG.43

Door Type D1f (FD 30 S)
Doors: DG.17; DG.18; DG.19

Door Type D1f (FD 60 S)
Doors DG.25

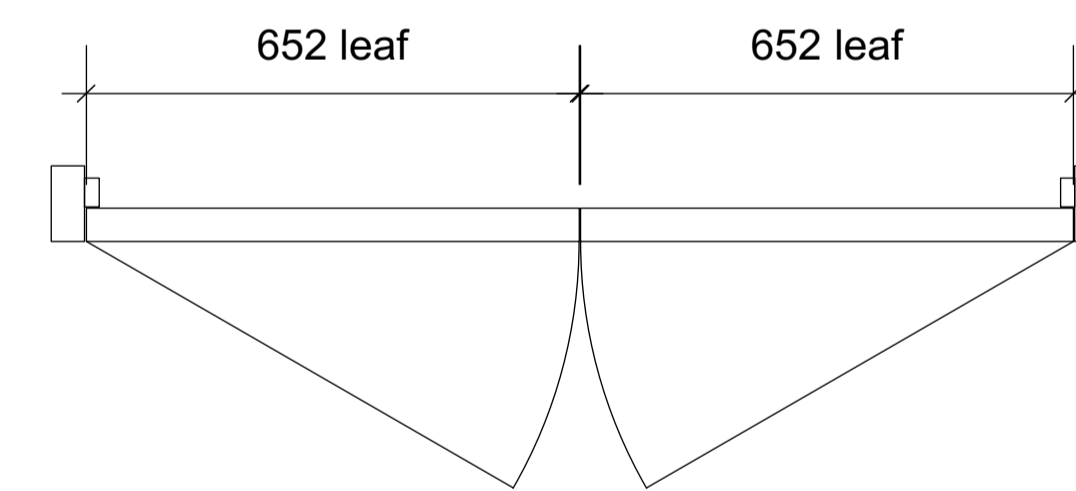
Door Type D1f (FD 20)
Doors: DF.08



Door Type D2f (FD 30 S)

Doors: DG.20; DG.39

leaf size: 1026 x 2040



Door Type D3f

Doors: DG.21

leaf sizes: 652 x 2340

GENERAL NOTES

1. This drawing is the copyright of Haines Phillips Architects.
2. Do not scale from this drawing. Use figured dimensions only.
3. This drawing must not be used for land transfer purposes, or for construction purposes unless accompanied by an Architect's Instruction.

FILE REFERENCE
Details/Door Elevations



DRAWING ISSUE STATUS

ISSUE	STATUS	COMMENT
SK	SKETCH	
P	PRELIMINARY	For comment and review
PL	PLANNING	Planning/ Listed Building Application
T	TENDER	For pricing purposes only
C	CONSTRUCTION	For procurement & construction
AB	AS-BUILT	Record drawings on completion
L	LEGAL	Conveyancing or other legal purposes

REVISIONS

REV	DATE	NOTES
1	10/2014	Preliminary Issue.
2	27/1/15	Notes and details added.

HAINES PHILLIPS ARCHITECTS

Tankerton Works
12 Argyle Walk
London WC1H 8HA
T 020 7833 9324
F 020 7837 2864
E office@hainesphillips.co.uk

JOB TITLE

**LAUDERDALE HOUSE
Highgate N6 5HG**

DRAWING TITLE

**DOOR ELEVATIONS
DOOR TYPES D1, D2, D3**

DRAWN DATE
ED 10/2014

SCALE
1:10 @ A1

JOB NR DRAWING NR ISSUE REV
3712 DA 411 P 2